



2017 CATALOG



INNOVATE • OPTIMIZE • PERFORM



The story of IWI US begins in 1933 when Israel Military Industries (IMI) Ltd. began firearms production in Israel under the British Mandate. In the late 1950's, IMI began collaboration with the Israel Defense Forces (IDF) with the goal of developing the most technologically advanced small arms systems based upon the demands of troops fighting in urban areas and harsh environments. The unique combat conditions experienced by the IDF required a new paradigm in firearms development. The results included the most innovative and legendary firearm brands used by militaries, law enforcement agencies and security personnel around the world. First the UZI®, then the TAVOR®, X95®, NEGEV®, GALIL ACE®, JERICHO® and now DAN®. In 2005, the Israeli government decided to spin-off and privatize the small arms division of IMI and Israel Weapon Industries (IWI) Ltd. was born.

The joint Research & Development (R&D) team of IWI and the IDF continue to develop small arms based upon the dynamic changes in real-world applications due to the ongoing threat of global terrorism.

The intensive and continuous use of IWI's product by the IDF and worldwide militaries such as Chile, Columbia, Georgia, India, Mexico, Nigeria, Peru, Portugal, Thailand, Ukraine, Vietnam and many more, enable the company to continue to innovate new products and optimize existing models. All of our weapon systems are produced and assembled in compliance with the most stringent military MIL-STD and ISO 9001.2008 standards.

IWI US, Inc. began operations in 2013 and brought the first commercial versions of the Tavor SAR to the US market. The Tavor achieved immediate success, winning the prestigious 2014 "Rifle of the Year" Golden Bullseye award from NRA Publication's American Rifleman Magazine. Three short years later, NRA's newest Official Journal, Shooting Illustrated Magazine, with a focus on concealed carry, self-defense and tactical shooting, chose the next-generation Tavor X95 as its 2017 "Rifle of the Year" Golden Bullseye award recipient. IWI US was also honored two years in a row by the National Association of Sporting Goods Wholesalers (NASGW) as winner of the 2014 and 2015 Importer of the Year awards.

IWI US's Law Enforcement Division was launched in 2014 and saw the adoption of the TAVOR SAR and TAVOR X95 in the first US LE agencies. 2016 brought the "next-generation" TAVOR X95 bullpup to the US commercial market along with the legendary Galil ACE in 7.62x39mm and 7.62 NATO. The DAN 338, IWI's first bolt action Tactical Precision rifle, is introduced at the 2017 SHOT Show together with the Galil ACE in 5.56 NATO. IWI US is firmly committed to the United States commercial and LE firearms market within five short award-winning years.

IWI US, Inc. is a proud member of the SK Group, a leading group of global Defense and Security companies that includes Israel Weapons Industries, (IWI) Ltd., IWI US, Inc., Meprolight Ltd. (electro-optical systems); Camero Ltd. (through-the-wall sensing systems), Israel Shipyards Ltd. (ship manufacturing and repair), and Uni-scope Ltd. (optical periscopes, riflescopes and binoculars).





The Tavor X95 represents the next generation, state-of-the-art CQB Bullpup design in a civilian legal 5.56 NATO, 9mm, or .300 Blackout centerfire carbine.

Drawing on over 20 years' experience with the TAVOR platform, the X95 was developed by IWI in Israel with the close cooperation of units of the IDF. Further refining the bullpup design, the IDF wanted a more compact, more familiar, more modular and more modern configuration that would also allow for more efficient use of accessories. The result of that collaboration is the Tavor X95. This Next-Gen X95 incorporates a tri-Picatinny rail forearm covered by three removable vented rail covers. The Tavor "cutlass" style trigger guard is modular in the X95 and can be easily converted to a pistol grip design that incorporates a traditional trigger guard. The charging handle has been relocated closer to the shooter's center mass, and perhaps the most significant departure from the Tavor SAR, the ambidextrous magazine release has been relocated to a more familiar AR-15/M16 index finger location.

The first X95 select-fire carbines went into service with the IDF in 2010 and soon saw extensive use in several regional conflicts. Winner of the prestigious 2017 Golden Bullseye "Rifle of the Year" award from NRA Publications Shooting Illustrated magazine, this battle proven and evolutionary design is now available in the US in two barrel lengths, three colors and three calibers. A "stock" left hand version is also available (XB16L) with all controls assembled for left hand operation, including the charging handle, safety lever, QD sling swivel receptacles, relocation of the forward 450 Picatinny rail to the left side and left side ejection (XB16L only).

Features

- Clean long stroke gas piston operation
- Optimized ergonomic design for increased comfort and ease of use
- 100% ambidextrous capable configuration and operation with optional left hand bolt for 5.56 NATO or .300 AAC. No additional parts required to convert 9mm to left hand configuration.
- Three integral and/or reversible ambidextrous quick detachable sling swivel receptacles on each stock side with two pushbutton ball bearing swivels included
- Integral folding backup sights in a full length MIL-STD top Picatinny rail. Meprolight Tritium night sight insert on Mil-standard threaded sight post
- Simple field stripping into two major subassemblies for easy field maintenance



XB16 with Pistol Grip and Traditional Trigger Guard



XB16



XB16-BLK .300 Blackout



XB1610



Caliber & Barrel Lengths

- 5.56 NATO with 16½" or 18½" interchangeable cold hammer forged (CHF) chrome lined barrel, 1:7 twist, CrMoV steel
- 9mm Luger Parabellum (9x19mm) 17" interchangeable CHF barrel, 1:10 twist, CrMoV steel
- 300 AAC "Blackout" with 16½" CHF chrome lined barrel, 1:8 twist, CrMoV steel with built-in gas regulator for optimum sub or supersonic reliability, with or without the use of a suppressor
- 5.56 & .300 Blackout models use standard AR-15/M16/STANAG magazines and are supplied with one 30 round black Magpul Gen III 5.56 PMAG with window (one 10 round Magpul PMAG for capacity controlled states)
- 9mm models come with one 32 round (modified) Colt style AR 9mm steel magazine (10 round for capacity controlled states)

Colors

The TAVOR X95 is available in two optional stock colors to match your environment, your kit or your own personal taste. Flat Dark Earth and OD Green color stocks are as tough as the original black stocks, extremely high strength, fiberglass reinforced and temperature tolerant and made from state of the art impact modified polymers. (Not all configurations are available in all colors. Please visit www.iwi.us for further details.)

Restricted State (RS) Models

If you live in the states of Maryland or New Jersey, there is a TAVOR X95 RS (Restricted State) model for you.

The XB18RS and TXFD18RS are built on our 18½" barrel and feature a non-removable (pinned and welded) 2" muzzle brake that yields an OAL of 30+", and is supplied with a 10 round magazine. The RS models do not have the bayonet lug found on our standard 18½" models.



XFD16



XG16



XB17-9



XB18RS



XFD17-9



XFD18RS



First introduced in the US in the spring of 2014, the Tavor SAR won immediate acclaim and achieved record sales as the first bullpup centerfire rifle to win large acceptance in the US market. Due largely in part from its pedigree as the battle proven carbine of the Israel Defense Forces (IDF), in three short years it has been proven that this is the toughest, most compact, most reliable semi-auto you can own. NRA Publications, American Rifleman Magazine, honored the Tavor SAR with the coveted Golden Bullseye "2014 Rifle of the Year" award.

The TAVOR SAR is also available from the factory in a "stock" left hand version with all controls assembled for left hand operation, including the charging handle, safety lever, QD sling swivel receptacles, relocation of the forward 45° Picatinny rail to the left side and left side ejection (TSB16L only).

Features:

- Clean long stroke gas piston operation
- Optimized ergonomic design for increased comfort and ease of use
- 100% ambidextrous capable configuration and operation with optional left hand bolt for 5.56 NATO or .300 AAC. No additional parts required to convert 9mm to left hand configuration.
- Three integral and/or reversible ambidextrous quick detachable sling swivel receptacles on each stock side with two push button ball bearing swivels included
- Integral folding backup sights in a full length MIL-STD top Picatinny rail. Meprolight Tritium night sight insert on Mil-standard threaded sight post.
- Simple field stripping into two major subassemblies for easy field maintenance



TSB16-BLK



TSB18



TSB16



TSB1610



Optional Caliber & Barrel Lengths

- 5.56 NATO with 16½" or 18" interchangeable cold hammer forged (CHF) chrome lined barrel, 1:7 twist, CrMoV steel
- 9mm Luger Parabellum (9x19mm) 17" interchangeable CHF barrel, 1:10 twist, CrMoV steel
- 300 AAC "Blackout" with 16½" CHF chrome lined barrel, 1:8 twist, CrMoV steel with built-in gas regulator for optimum sub or supersonic reliability, with or without the use of a suppressor
- Optional 9mm (9x19mm) Conversion Kit
- Optional .300 AAC Conversion Kit
- 5.56 & .300 Blackout models use standard AR-15/M16/STANAG magazines and are supplied with one 30 round black Magpul Gen III 5.56 PMAG with window (one 10 round Magpul PMAG for capacity controlled states).
- 9mm models come with one 32 round (modified) Colt style AR 9mm steel magazine (10 round for capacity controlled states)
- 5.56 NATO with interchangeable cold hammer forged barrel (CHF) chrome lined barrel, 1:7 twist, CrMoV steel

Optional Colors

The TAVOR X95 is available in two optional stock colors to match your environment, your kit or your own personal taste. Flat Dark Earth and OD Green color stocks are as tough as the original black stocks, extremely high strength, fiberglass reinforced and temperature tolerant and made from state of the art impact modified polymers. (Not all configurations are available in all colors. Please visit www.iwi.us for further details.)

Restricted State (RS) Models

If you live in the states of Maryland or New Jersey, there is a TAVOR SAR RS (Restricted State) model for you.

The XB18RS and TXFD18RS are built on our 18" barrel and feature a non-removable (pinned and welded) 2" muzzle brake that yields an OAL of 30+", and is supplied with a 10 round magazine. The RS models do not have the bayonet lug found on our standard 18" models.



TSFD16



TSFD18



TSG16



TSG18



TSFD17-9



TSFD18RS



The modernized Galil ACE is based upon the reliable mechanism of the original Galil assault rifle first developed by IMI in the late 1960's. Drawing inspiration from the legendary Russian AK-47 and the Finnish Valmet RK 62, the IWI Galil ACE has been continuously improved over the last 40+ years, resulting in today's extremely reliable and highly accurate Galil ACE.

First introduced in the US in 2016, the world famous Galil ACE family of pistols and rifles are now available in three calibers and three models in each caliber.

In addition to the milled steel receiver and cold hammer forged barrels found on all Galil ACE models, improvements made since the original Galil was first developed include:

- Charging handle (reciprocating) moved to the left side of the receiver allowing for weak hand operation
- Articulating receiver covers close during charging
- Weight reduction with the use of modern polymers
- Full length 2-piece Picatinny top rail
- Picatinny tri-rail forearm with built in, slide on/off rail covers
- Side-folding, adjustable telescoping buttstock. Removable comb cheekpiece on all rifle models
- Fully adjustable iron sights with Tritium front sight post and 2-dot Tritium rear aperture



Galil ACE® Rifle
GAR1639



Tri-Rail
Handguards Off



Tri-Rail
Handguards On



Galil ACE® Pistol
GAP39-II

The Galil ACE is now available in 7.62x39mm in three models. All come with Magpul AK type magazines and work reliably with the majority of aftermarket magazines.

- Pistol configuration with an 8.3" barrel (GAP39-II)
- Pistol configuration with a custom IWI side-folding Stabilizer Brace from SB Tactical(GAP39SB)
- Rifle configuration with side-folding adjustable buttstock and 16" barrel (GAR1639)



Galil ACE® SB Pistol
With Brace Extended
GAP39SB

Deliveries of the first Galil ACE pistols and rifles in 5.56 NATO will begin by mid-2017. They will ship with a Magpul G3 PMAG with window. All will accept a standard AR-15/M16/STANAG magazine.

- Pistol configuration with an 8.3" barrel (GAP45)
- Pistol configuration with a custom IWI ACE side-folding Stabilizer Brace from SB Tactical (GAP45SB)
- Rifle configuration with side-folding adjustable buttstock and a 16" barrel (GAR1645).



Galil ACE® SB Pistol
With Brace Folded



The Galil ACE rifle is now shipping in 7.62 NATO (7.62x51mm) with a 16" barrel and side-folding adjustable buttstock (GAR1651). Each comes with a 20 round Magpul PMAG SAR25 type magazine. New models arriving in 2017 will include:

- Pistol configuration with an 11.8" barrel (GAP51)
- Pistol configuration with a custom IWI ACE side-folding Stabilizer Brace from SB Tactical(GAP51SB)
- Rifle configuration with a 20" barrel (GAR2051)



Galil ACE® Rifle
GAR1651



Galil ACE® Pistol
GAP51



Galil ACE® SB Pistol
With Brace Extended
GAP51SB

Deliveries of the first Galil ACE pistols and rifles in 5.56 NATO will begin by mid-2017. They will ship with a Magpul G3 PMAG with window. All will accept a standard AR-15/M16/STANAG magazine.

- Pistol configuration with an 8.3" barrel (GAP45)
- Pistol configuration with a custom IWI ACE side-folding Stabilizer Brace from SB Tactical (GAP45SB)
- Rifle configuration with side-folding adjustable buttstock and a 16" barrel (GAR1645)



Galil ACE® SB Pistol
With Brace Folded



First introduced in the US in 1990, the Jericho 941 has enjoyed wide acceptance by American shooters over the last 25 years. Based on the highly regarded CZ-75 short recoil system, Jericho pistols combine proven design and function with IWI's exceptionally high standards for reliable performance, accuracy and quality construction.

Offered in two sizes of polymer framed models in 9mm Luger Parabellum and two sizes of steel framed models in 9mm and .45ACP, the Jericho features a frame mounted safety enabling "condition one" cocked and locked single action function or hammer down double action function. Additional features include an integral Picatinny rail for mounting accessories, adjustable dovetailed sights, a firing pin block and a loaded chamber indicator. Barrels are cold hammer forged of the finest Mil-Spec CrMoV steel.

Each Jericho 941 comes with two standard capacity magazines or two 10 round magazines for consumers who reside in states with magazine capacity limitations. No models are available for California or Massachusetts.



Jericho F
Full Size Steel
16 rds. 9mm



Jericho FS
Mid-Size Steel
16 rds. 9mm,
& 10 rds. .45ACP



Jericho PSL
Mid-Size Polymer
16 rds. 9mm



Jericho PL
Full Size Polymer
16 rds. 9mm



JGear KIT

The JGear™ Kit

Featuring:

- Jericho 941 in 9mm Para, in either polymer or steel frame with two (2) magazines
- Meprolight Tritium TRU DOT night sights, front and rear
- Custom Jericho polymer paddle style holster. High ride concealment with 360° cant adjustment and adjustable weapon retention with the included M5 Allen wrench.
- Custom Jericho paddle style, adjustable polymer double magazine holder with adjustable retention
- Maglula UpLula military grade pistol magazine loader, 9mm to .45ACP
- Cleaning rod, brushes, cable lock and lockable carry case



The UZI PRO pistol is a modernized Micro UZI semi-auto pistol based on the world famous UZI submachine-gun. The blow-back operated 9mm UZI PRO incorporates advanced polymers in the lower section of the receiver resulting in lighter weight and relocation of the magazine release to a more practical and traditional pistol based location.

Unlike earlier UZI models, the charging handle has been moved from the top of the pistol to the left side of the receiver. This allows the addition of a full length Picatinny rail to the top of pistol, permitting the use of any optical device that utilizes a Picatinny rail clamp mount. An additional Picatinny rail is incorporated in the polymer lower that allows the use of lights and/or lasers to be mounted directly under the barrel.

Extremely reliable and accurate, the UZI PRO pistol incorporates three safety mechanisms:

- Manual thumb safety
- Grip safety that must be fully depressed before cocking or firing
- Firing pin block

Each UZI PRO pistol is supplied with two magazines, one 20 round and one 25 round. A 32 round magazine is available. Fully adjustable front and rear sights are standard.

Two versions of the UZI PRO Pistol are available. The first is the basic pistol pictured at left (UPP9S). Also offered is the UZI PRO SB (UPP9SB) with side-folding Stabilizing Brace, produced for IWI US by SB Tactical LLC, designers and manufacturers of the original SB15 and SB47 Pistol Stabilizing Braces.

Originally designed as a means for persons with limited mobility to operate and fire the AR-15 pistol, the custom adaptation of the Stabilizing Brace to the UZI PRO SB takes the application of large frame pistol control and stabilization to a new level. With the brace in the folded position, storage space required in your safe or range bag is minimized.



UZI® PRO
UPP9S



UZI® PRO SB with Brace Folded
UPP9SB



UZI® PRO SB
with Brace Extended



IWI US is proud to introduce the DAN 338 Tactical Precision rifle to the US market. The DAN is the first bolt action rifle manufactured by Israel Weapon Industries and like all IWI firearms, it is built to IWI's highest standards of ruggedness, reliability and the primary requirement of a long range rifle chambered for the .338 Lapua Magnum, sub-MOA accuracy.



Compact Folded Dan



Standard features include:

- Heavy fluted, free floating, cold hammer forged interchangeable 28" barrel, 1:10 twist with 5/8x24 TPI threaded muzzle
- One piece lightweight aluminum alloy chassis
- Side-folding skeletonized aluminum buttstock with adjustable length of pull, adjustable drop of heel, adjustable comb and bottom Picatinny rail
- Full length one piece Picatinny top rail with 20 MOA built-in canted drop plus full length bottom rail

- Two movable short Picatinny rails at 3 & 6 o'clock for additional accessory mounting
- Two stage adjustable trigger
- Ambidextrous mag release and safety
- Two 10 round steel magazines

Accessories supplied with each DAN 338 as standard equipment:

- Atlas BT46-LW17 PSR bipod
- ACCU-SHOT BT13-QK-PRM adjustable folding monopod
- Borka PTL precision torque limiter wrench
- Dewey BRCK-338L cleaning kit with .338 Lapua Magnum custom DAN bore guide and 44" one piece rod
- Heavy duty lockable case with custom foam insert
- Nightforce riflescope not included

18

19

ACCU-SHOT Monopod



Trigger Block Safety

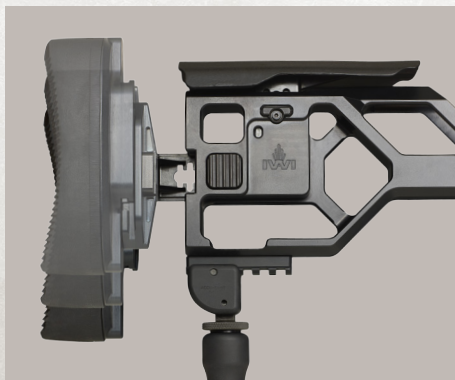
Atlas BT46 Bipod



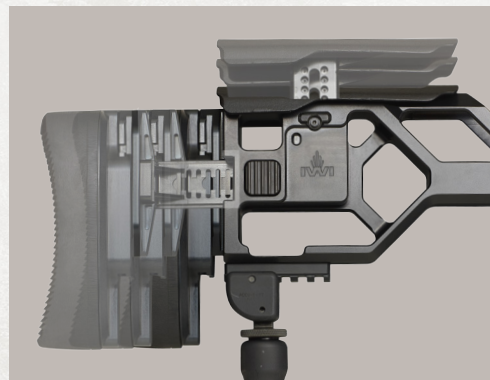
Atlas Controls



Borka Torque Wrench



Buttstock - Adjustable Drop



Adjustable Length of Pull Adjustable Comb



Side Folding Lock & Release



Ambi Mag Release Button

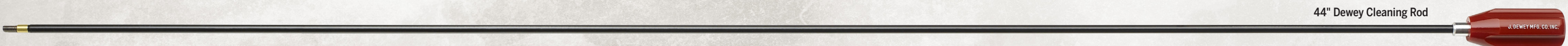


Custom Dewey DAN Bore Guide



Dewey Chamber & Bore Cleaning Kit

44" Dewey Cleaning Rod





LE

20



21



POLICE

LAW ENFORCEMENT

The IWI US Law Enforcement Division provides North American based LE departments and agencies with battle proven IWI firearms that have been adopted by the IDF, LE agencies and militaries throughout the world. Select-fire weapons include the short barreled X95® (Micro Tavor) and the incomparable NEGEV® LMG (Light Machine Gun), possibly the finest belt, drum and/or magazine fed Light Machine Gun in the world. For departments who prefer semi-auto versions of our weapons, all of the standard IWI US commercial/civilian models are also available for agency purchase.

IWI US offers an Individual Officer Purchase (IOP) discount program to all active or retired US LE and Military members and veterans, including First Responders.

IWI US also offers armorer courses, comprehensive training programs and after-sale parts and service for all LE agencies adopting our firearms.



X95

The X95 is the Special Forces firearm for the 21st century. Like all IWI firearms, it was developed in close cooperation with elite units of the Israeli Defense Forces (IDF), tailored to their specific requirements and needs. Taking cues from the TAVOR TAR-21 in service for over ten years, the X95 continues the evolution of the modern Bullpup CQB rifle. Slim and compact with a 13" barrel and an OAL of 22.8", it is offered in 5.56 NATO and easily converted to 9mm Luger Parabellum or .300 AAC Blackout. The X95 features STANAG magazine compatibility, forefinger ambidextrous magazine release, interchangeable pistol grip assemblies and a tri-rail forearm with removable rail covers for easily customizable accessory placement (flashlight, laser, vertical fore grip, bipod, etc.). Like its predecessor the TAR-21, the X95 is 100% ambidextrous to right or left hand operation with the optional opposite hand bolt in 5.56 NATO and .300 Blackout. No bolt change needed for 9mm opposite hand conversion.





The Negev NG5 Light Machine Gun is an advanced compact and lightweight (averaging 16¾ Lb.) machine gun in caliber 5.56 NATO that has been deployed in conflict zones around the world. Battle proven by the IDF as well as multiple militaries and LE agencies in countries across the globe, the NG5 is extremely reliable under adverse environmental conditions such as mud, dirt, sand, rain and snow. This is the finest, lightest, most reliable LMG in the world! New for 2017 is the availability of the NG7, the workhorse LMG in 7.62 NATO with hydraulic buffer.

Offered in two configurations, the NG5 LMG has a barrel length of 18" with an OAL (with buttstock extended) of 40.16", while the NG5 LMG SF has a 13" barrel and an OAL (with buttstock extended) of 35".

Main features of the NG5 LMG and NG5 LMG SF:

- Unique semi-auto firing mode that enables accurate and rapid controlled fire for CQB plus full-auto capability for maximum firepower
- Gas regulator for rate of fire adjustment
- Cold hammer forged, CrMoV chrome lined quick change barrel
- Uses standard NATO STANAG (AR-15/M16) magazines, drum and belt-fed
- Incorporates four safety mechanisms that minimize the chances of uncontrolled fire
- Adjustable Tritium sights are standard
- Included 450 assault handle allows for exceptional control while firing with a belt fed drum or STANAG magazine
- Extremely robust steel folding bipod
- Side-folding buttstock on both NG5 models with adjustable length and adjustable comb on the NG5 LMG
- Picatinny top rail welded to the receiver, not the loading gate, provides continuous and repeatable "zero" with your choice of optics
- Quick dismantling in the field for routine maintenance
- True OTB (over-the-beach) capability



Negev NG5 LMG
Drum Fed - Stock & Bipod Extended



Negev NG5 LMG
Stock & Bipod Folded

NEGEV NG5 LMG



Negev NG5 LMG SF
Drum Fed - Stock & Bipod Extended



Negev NG5 LMG SF
Mag Fed - Stock & Bipod Folded

NG5 LMG SF



17" 9mm Luger Parabellum (9x19mm) CHF CrMoV Barrel, 1:10 RH with flash suppressor on 1/2" x 36 TPI



Recoil Assembly



Deflector



9mm Magwell Adapter



9mm - 32 round steel magazine



Barrel Wrench Tool

The TAVOR SAR and X95 models are convertible from 5.56NATO to 9mm Luger Parabellum (9x19mm) and /or .300 Blackout. The conversion kit includes a cold hammer forged barrel made of CrMoV steel, a complete recoil assembly including the bolt and bolt carrier, a magazine magwell adapter (9mm only), a barrel removal wrench, case deflector and a magazine.

For those that purchase(d) a dedicated 9mm or .300 Blackout Tavor, a 5.56 NATO conversion kit is now available.

TAVOR COMPLETE (TC CASE)

Two large heavily cushioned and secured compartments hold your TAVOR SAR in one and your 9mm or .300 Blackout conversion kit in the other. Molle compatible webbing on the exterior of the case comes standard with three gusseted pouches with ripstop nylon lined water-resistant interiors. Elastic webbing on the interior, opposite the conversion kit compartment, holds up to 5-30 round 5.56NATO magazines and 5-32 round 9mm magazines. A cushioned carry handle plus two removable and adjustable shoulder straps with more than 8 possible strap/sling holding points round out the feature list. All stress points are double (or more) stitched. Zippers, D rings, pulls and clips are all first quality; virtually indestructible. Comes with an embroidered removable IWI logo patch with room for your own Velcro backed unit or flag patch plus space for a Velcro backed name patch.

TAVOR MULTI-GUN (TM CASE)

This custom case has all the features of the TAVOR COMPLETE case except that instead of an interior compartment for a caliber conversion kit, it has two padded compartments that will easily accommodate two full size handguns. Opposite the handgun compartments are 3 rows of elastic webbing that will accommodate up to 5-30 round 5.56 NATO magazines and multiple pistol magazines.



TM Case Multi-Gun Case

TC Case Complete Case

Dark Earth

Black



IWI US is pleased to introduce JGear™, a quality line of holsters, mag holders and accessories that are custom made in Israel for your Jericho pistol.

The initial lineup includes a paddle style polymer holster that accommodates all 9mm polymer framed Jericho pistols and a second that accommodates all 9mm steel framed models.

The JGear™ polymer mag holder holds two double stack 9mm or .40S&W magazines.

Holsters and mag holders feature high ride concealment with 360° adjustable cant and adjustable retention with the included M5 Allen wrench.



IWB Holster for Jericho Polymer Frame Pistols



IWB Holster for Jericho Steel Frame 9mm & .40S&W Pistols



IWB Dual Double Stack Magazine Holder

JERICO® MAGAZINES

Jericho magazines come in a variety of calibers and capacities and are sized for specific Jericho pistols. All are available in standard capacity configuration or limited to 10 round capacity for states with magazine capacity restrictions. Steel construction with corrosion resistant springs and nylon followers ensure that IWI Jericho magazines will provide a lifetime of intensive use.



Jericho PL 9x19 - 16 rds.
Jericho PL 40 S&W - 12 rds.



Jericho PSL 9x19 - 16 rds.
Jericho PSL 40 S&W - 12 rds.



Jericho F 9x19 - 16 rds.
Jericho F 40 S&W - 12 rds.



Jericho FS 9x19 - 16 rds.
Jericho FS 40 S&W - 12 rds.



Jericho FS 45 ACP - 10 rds.

IWI®, TAVOR®, GALIL®, GALIL ACE®, JERICO®, UZI® and X95® are Registered Trademarks of Israel Weapon Industries (IWI) Ltd. • Magpul® and PMAG® are Registered Trademarks of Magpul Industries, Ltd. Meprolight® is a Registered Trademark of Meprolight, LTD. MagLula® and UpLula® are Registered Trademarks of MagLula Ltd.

These IWI accessories have been carefully chosen to complement your IWI firearm. Visit our online store at www.iwi.us/products for the latest parts and accessories from IWI.



Tavor X95 Fire Control Pack, backwards compatible with the Tavor SAR



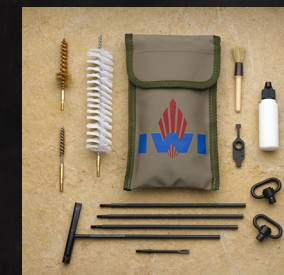
2-piece adjustable length Vertical Foregrip



Savvy Sniper LLC has created a high quality soft nylon sling for IWI for the Tavor SAR, CTAR and X95 platforms. Convertible from single to two-point carry with the "Mount-N-Slot" QD attachment plate/tri-glide, sling length is easily modified with the quick adjustment slider handle. Two sewn-in quick detachable push button sling swivels insert into the sling swivel receptacles on the SAR, CTAR and X95. The shoulder Bungee provides just enough stretch to get that extra reach when needed, plus reduces muscular stress when slinging the rifle for prolonged periods.



Gunsmith bench mats for Tavor SAR, X95, Galil ACE and UZI Pro



IWI CLEANING KIT

Each TAVOR SAR and X95 leaves the IWI US factory with a field cleaning kit containing a 4-piece cleaning rod, bore and chamber brushes, cleaning brushes and an oil vial. Available for after-market sale.

TAVOR SAR & X95 SPARE PARTS

Spare parts are now available for your TAVOR SAR and X95. Keep a spare firing pin and firing pin spring on hand or get the entire TAVOR SAR "Bolt Parts Kit" and/or a X95 Fire Control Pack for your range bag/kit.



Survival Kit

"Bolt Parts Kit" Contents:

- Firing Pin
- Firing Pin Spring
- Bolt Guide Pin
- Extractor
- Extractor Spring
- Extractor Pivot
- Ejector
- Ejector Spring
- Ejector Spring Guide
- Ejector Securing Pin



Sight Adjustment Tool



Firing Pin & Firing Pin Spring



Barrel Wrench Tool



Fire Control Pack - Complete



1/4" QD Sling Swivels



Forearm Picatinny Rail



IWI US, INC.

P. O. BOX 126707

HARRISBURG, PA 17112 • TEL: +1 (717) 695-2081 • FAX: +1 (717) 412-0873 • EMAIL: INFO@IWI.US

WWW.IWI.US