

# TAVOR® X95™

SEMI-AUTOMATIC RIFLE

5.56 NATO | .300 BLK | 9mm Para



## OPERATOR MANUAL



Read the instructions and warnings in this manual carefully and understand them before using this firearm. If there is anything you do not understand, seek advice from your retailer or someone qualified in the safe handling of firearms, or contact IWI US, Inc. at Tel: +1 (717) 695-2081 or [info@iwi.us](mailto:info@iwi.us).

---

This Operator Manual should always accompany this firearm and be transferred with it upon change in ownership, or when the firearm is loaned or transferred to another person.



***Congratulations on your purchase of the  
TAVOR® X95™ SEMI-AUTOMATIC RIFLE.***

*Your packaging includes:*

- 1. Magazine (1)*
- 2. Literature Packet*
  - This Manual*
  - NSSF Firearms Safety Depends on You Pamphlet*
  - NSSF Firearms Responsibility in the Home Pamphlet*
  - 18U.S.C.§922(r) and 27CFR§478.39 Regulatory Compliance Notice if applicable*
  - IWI US, Inc. Limited Product Warranty Card*
  - National Rifle Association (NRA) Application*
  - IWI Sticker*
- 3. Gun Safety Cable Lock*

*If you notice that anything is missing from the above listing, please contact IWI US, Inc. customer service at either [info@iwi.us](mailto:info@iwi.us) or call Tel: +1 (717) 695-2081.*

*We appreciate your business.*

*IWI US, Inc.*

# TABLE OF CONTENTS

1	Warning .....	3
2	This Manual Contains.....	4
3	Illustrations and Instructions in This Manual .....	4
4	Awareness Notices .....	5
5	Dangerous Conditions .....	6
6	General Safety Rules and Procedures .....	8
7	Firearms Safe Home Storage Checklist.....	16
8	General Description .....	17
8.1	Features.....	17
8.2	Function Overview .....	18
8.3	Specifications .....	18
8.4	Differences Between Models .....	20
8.5	Ammunition.....	21
8.6	Ballistic Trajectories.....	22
8.7	Right External View .....	23
8.8	Left External View .....	24
8.9	Aiming System .....	25
8.10	.300 BLK Gas Regulator Positions.....	26
8.11	Safety Lever Positions.....	28
8.12	Tri-Rail Foregrip .....	29
9	Using the Cable Lock .....	30
10	Operating Instructions .....	32
10.1	Preparation for Firing .....	32
10.1.1	Unloading and Safety Check .....	32
10.1.2	Complete Function Test.....	34
10.2	Loading .....	36
10.3	Firing .....	37
10.4	Sight Adjustments .....	39
10.5	Zeroing Procedure .....	40
11	Troubleshooting .....	41

12	Maintenance	44
12.1	Pre-Firing Maintenance	44
12.2	Post-Firing Maintenance	45
12.3	Maintenance Before Storing	48
13	Rifle Conversion	50
13.1	Conversion to Opposite Hand Operation	50
13.2	Caliber Conversion	54
14	Disassembly & Assembly Instructions	56
14.1	Removal & Installation	56
14.1.1	Quick-Detach Sling Swivels	57
14.1.2	.300 BLK Gas Regulator	58
14.1.3	Sear Mechanism	62
14.1.4	Recoil Mechanism	64
14.1.5	Hand Grip Assembly	66
14.1.6	Foregrip Group	67
14.1.7	Cocking Bar Assembly	68
14.1.8	Barrel-Rail Group	69
14.1.9	Dust Protection Plate	71
14.1.10	Magazine Adapter Assembly	72
14.2	Disassembly/Assembly	73
14.2.1	Recoil Mechanism	73
14.2.2	Barrel-Rail Group	81
14.2.3	5.56 NATO/9mm Para Barrel Group	83
14.2.4	Foregrip Assembly	84
14.2.5	Rail Cover Assembly (x3)	85
14.2.6	Body Assembly	87
14.2.7	Magazine Adapter Assembly	93
15	Exploded View Diagrams	94
15.1	TAVOR® X95™ 5.56 NATO	95
15.2	TAVOR® X95™ .300 BLK	96
15.3	TAVOR® X95™ 9mm Para	97
16	Limited Product Warranty	98
17	Repair Services	100

# 1 Warning



## WARNING!

Prior to removing this rifle from its packaging, and prior to handling, loading and firing, carefully and thoroughly read and understand this entire Operator Manual which gives advice on the firearm's proper handling, functioning and safe use. Your safety and that of others (including your family) depends on your responsible compliance with that advice, good judgment and common sense. Firearms safety depends on YOU. You cannot forget, you cannot overlook, you cannot allow yourself to be distracted, you cannot become complacent or casual with firearms.

There are no "foolproof" firearms. Once a shot is fired, it cannot be called back. A firearm in your hands can cause unintended death or serious bodily harm if you fail to follow safe gun handling rules and practices such as those contained in this manual. Remember, firearms safety depends on YOU!

If unfamiliar with firearms, seek supervised instruction from a certified firearms instructor.

## WARNING: 18 U.S.C. § 922(r) and 27 CFR § 478.39

Your TAVOR® X95™ rifle is assembled by IWI US, Inc. from parts made in Israel and the US and complies with all US laws and regulations governing the assembly of semi-auto rifles in the US from foreign and US parts.

If you use a non-US made magazine or non-US made muzzle device (flash suppressor, muzzle brake, etc.) on your TAVOR X95, you may be in violation of the above Federal regulations. If you use a non-US bolt carrier, piston, or cocking guide rod, you may be in violation of the above Federal regulations.

When your TAVOR X95 left the IWI US, Inc. factory, it was in compliance with the above regulations. It is your responsibility to insure continued compliance with these regulations once the TAVOR X95 is in your possession.

---

## 2 This Manual Contains

---

- Important **WARNINGS** and **SAFETY PRECAUTIONS** that must be read and understood before using this firearm. **SAFE GUN HANDLING IS YOUR PERSONAL RESPONSIBILITY AT ALL TIMES.** Disregarding the warnings and safety precautions in this manual can result in injury or death to you and others and damage to property.
- *Directions* and *procedures* for handling, loading, firing, unloading, disassembling and assembling this firearm.
- *Instructions* for care, cleaning and repair of this firearm.

This Operator Manual is designed to help you in learning how to properly and safely use and care for your TAVOR® X95™. Only when you are certain you have fully familiarized yourself with the function of your firearm, should you practice loading, unloading, and firing with live rounds of ammunition at a firing range or other safe location.

This Operator Manual should always accompany the firearm and be transferred with the firearm on change of ownership or possession. Should you ever need to replace it, this manual is available FREE upon request from IWI US, Inc. or on the IWI US, Inc. website at [www.iwi.us](http://www.iwi.us).

---

## 3 Illustrations and Instructions in This Manual

---

All illustrations and instructions in this manual relate to the *right hand shooter configuration*.

The illustrations in this manual may differ slightly from the actual product.

---

## 4 Awareness Notices

---

Throughout this manual, special references are made when deemed important. Four classifications are used to separate these references by their order of importance.



**DANGER!** indicates an imminently hazardous situation which, if not avoided, will result in death or serious injury.



**WARNING!** indicates a potentially hazardous situation which, if not avoided, could result in death or serious injury.



**CAUTION!** indicates a potentially hazardous situation which, if not avoided, could result in minor or moderate injury or an unsafe practice that can lead to property damage.

---

4 **NOTE** notifies of particularly important information.

---

## 5 Dangerous Conditions



**WARNING!** Always have the headspace checked by a competent gunsmith with “Go” and “No-Go” gauges after replacing the bolt or barrel assembly. Failure to check the headspace may result in personal injury or death to you and others and could cause severe firearm damage.



**WARNING!** If your rifle misfires with a live round in the chamber of a hot barrel, immediately remove the round while keeping the barrel pointed in a safe direction and the ejection port turned away from your face. A safe area is defined as an area where a discharge of the firearm would cause no bodily harm or property damage.

If unable to remove the live round within 10 seconds, remove the magazine, keep the rifle pointed in a safe area and wait 15 minutes for the barrel to cool. Then remove the round.

Continuous or rapid firing of your rifle can cause the barrel temperature to reach a “**COOKOFF POINT**”, where the heat of the barrel can cause a live round to fire from remaining in contact with a hot chamber. If you have been firing continuously or rapidly, do not allow a live round to remain in the chamber when you finish firing, as it may “**COOK OFF**” (FIRE). Always keep your face away from the ejection port when clearing a hot chamber.





**WARNING!** Never fire your rifle with water, grease, excess oil, or any other obstruction in the barrel as this could cause damage to the rifle and possible injury to the user. Be sure the barrel is clear of obstructions before shooting.



**WARNING!** When firing and you experience a noticeable difference in sound or recoil, **STOP FIRING!** Keep finger off the trigger and point firearm in a safe area (see definition of safe area above). The cause could be an incomplete power burn, a cartridge with a primer but no powder (“SQUIB LOAD”) or too little powder. The round could possibly be lodged in the bore. Immediately unload the rifle and check for unburned powder residue in the bore, the receiver, or the possibility of a round lodged in the bore. Remove the unburned powder before resuming firing. If a bullet is stuck in the bore, have a qualified gunsmith repair the rifle. Never try to “SHOOT OUT” a bullet stuck in the bore. Firing with unburned powder in the barrel or a bullet stuck in the bore could cause the barrel to explode causing serious injury or death.

## 6 General Safety Rules and Procedures

### Cardinal Rules of Firearms Safety

- Treat all guns as if they were loaded.
- Point the muzzle in a safe direction at all times. (A “safe direction” is one in which no one would be injured if the gun were to discharge.)
- Keep your finger off the trigger and outside the trigger guard until you are aimed at a safe target and intend to fire.
- Be sure of your target and what's around and beyond it.
- When you pick up a gun that, even for an instant, has been out of your direct, continuous control, while following the above rules, open the gun's action (recoil mechanism) and determine whether or not the gun is loaded.
- All guns left unattended, even briefly, must be made inoperable or inaccessible to children and other unauthorized users.



**WARNING!** Careless and improper handling of this rifle could result in unintended discharge, causing injury, death or property damage. Safety must be the first and constant consideration when handling a firearm and ammunition. **SAFETY DEPENDS ON YOU.**



**WARNING!** This firearm was designed to function properly in its original condition. Do not alter any parts. Do not replace any parts unless you are factory-trained to do so and then use only original factory parts from IWI US, Inc.



**WARNING!** This firearm should always be carried with the chamber empty and with the safety on “safe” to prevent accidental discharge when not in use.



**WARNING!** Horseplay has no place around firearms. Guns can't think – you can! **SAFETY DEPENDS ON YOU!**

#### Important Note:

This Operator Manual and the instructions and warnings contained in it are intended for the civilian recreational user, target shooter, or hunter, and not necessarily for the law enforcement, security, military, or other “defensive” user. Defensive use of this or any other firearm involves unusual, serious risks, and may at times require deviation from certain safety rules and firearms handling procedures contained in this manual. Such defensive procedures and deviations are beyond the scope of this manual. In order to use such defensive procedures safely requires intensive initial training and qualification from a proper professional source, followed by “in service” training and qualification at appropriate intervals. Anyone who has not been properly and professionally trained in defensive firearms handling procedures must not attempt to use this firearm in any manner other than as set out in this Operator Manual. Doing so can result in serious injury or death.



**WARNING!** Always handle and treat your firearm as if it were loaded so you will never fire it accidentally when you mistakenly think it is unloaded. Never take anyone's word that it is unloaded. Always check it yourself with your fingers off the trigger and the rifle pointed in a safe direction. Visually and physically inspect the chamber and magazine well to ensure the rifle is free of ammunition. Even after you have confirmed that the rifle is unloaded, continue to treat it as if it were loaded.



**WARNING!** Never place your finger on the trigger unless you are aiming at a proper target and intend to fire. Instead, keep your trigger finger off the trigger, superior to the trigger guard, straight alongside the frame of the rifle until you intend to fire. Do not pull the trigger or attempt to fire until the safety selector has been moved to the FIRE position.



**WARNING!** Upon firing, a hot, empty shell casing is forcefully ejected from the ejection port. All persons present must wear suitable eye protection, and must stand clear of the case ejection area.



**WARNING!** If your finger is on the trigger or inside the trigger area, you may unintentionally discharge the firearm if you are startled, if you lose your balance, if you exert muscular force with your other hand or arm or with either leg, or if something comes in contact with your hand, arm, or the gun. Always keep the safety on "safe" and your trigger finger outside the trigger area, straight alongside the rifle's frame, superior to the trigger guard, until you intend to fire.



**DANGER!** DO NOT grasp the forward portion of the trigger guard/pistol grip frame with your non-shooting hand or allow any fingers of your non-shooting hand to enter the trigger guard at any time. If you do so, there is a chance your non-shooting hand or fingers could touch the trigger, unintentionally firing the firearm and resulting in death or serious injury.



**WARNING!** Keep the gun's muzzle pointed in a safe direction at all times. A safe direction is one in which an unintentionally fired shot will not cause any physical injury or property damage. Never let the muzzle of a firearm point at any part of your body or another person, or in any direction where an injury may result if the rifle were to fire. Always be sure of your target and what's beyond and around it before firing.



**WARNING!** Always make sure your firearm is not loaded before cleaning, storing, transporting or handing it to another person. Firearms should be transported unloaded and in a protective rifle case.



**WARNING!** Whenever you pick up any firearm that, even for an instant, has been out of your direct, continuous control, the first thing you must do, while keeping the muzzle pointed in a safe direction and your fingers out of the trigger area, is to open the firearm's action (recoil mechanism) to determine whether or not it is loaded by visually and physically inspecting the chamber and magazine well.



**WARNING!** Remember, safety is your responsibility. Be a safe shooter. **SAFETY DEPENDS ON YOU!**



**WARNING!** Always wear and require others to wear wraparound ANSI or OSHA approved safety glasses while shooting to protect your eyes from injury by ejected shell cases, gun powder gas, lubricant, dirt or metallic particles, carbon residue, sparks, bullet splashback from targets or other debris.



**WARNING! UNLOAD ALL FIREARMS WHEN NOT IN USE. NEVER STORE A LOADED FIREARM.** Firearms and ammunition should be stored separately under lock and key so that they are inaccessible to children or unauthorized users.

Never leave a loaded firearm, or any firearm or ammunition, unattended where an unauthorized user might have access to it. At the range, any firearm you lay down on the shooting bench should be unloaded, with its action locked open. Never lean or place a firearm where it could slide or fall, such as leaning it against or placing it on a vehicle.

Never let the muzzle of a firearm touch the ground, or touch mud, sand or snow that might obstruct the bore, causing the barrel to burst when you fire. If you drop a firearm, pick it up carefully with it pointed in a safe direction (have all other people move out of the direction of the muzzle), with your finger outside the trigger area and the safety in the “safe” position. Then unload the firearm, and check to be sure there are no obstructions in the bore. This can be done safely with a cleaning rod, or by disassembling the firearm and looking down the bore from the chamber (rear) end. If there is any possibility of damage to your TAVOR® X95™, have it inspected by a qualified gunsmith, or return it to IWI US, Inc. for inspection, before you load or fire it again.



**WARNING! FOLLOW THE LAW.** Obey all local, state and federal laws regarding possessing, storage, shooting and transporting your firearm.



**WARNING!** Always wear and require others to wear commercially manufactured ear protection when shooting. Without ear protection, the noise from your gun, and other guns close to you, could leave a “ringing” in the ears for some time after firing, and could result in permanent hearing loss.



**WARNING!** Learn the mechanical and handling characteristics of the firearm you are using. Not all firearms are the same, and your TAVOR® X95™ firearm has some unique features. Do not assume that just because you have experience with other firearms, you know how to use the TAVOR® X95™ firearm properly. Read and understand this manual. If there is anything you do not understand, contact your firearms retailer or IWI US, Inc. at [service@iwi.us](mailto:service@iwi.us) or telephone Tel: +1 (717) 695-2081.



**WARNING!** Never climb or descend a tree, fence or wall, jump across a stream or ditch, or attempt to cross an obstacle, ice, or precarious terrain while carrying a loaded firearm. Whenever you are going to do anything awkward, unload the rifle first!



**WARNING!** Do not shoot at a hard surface, such as rock, masonry or metal, or at water or ice. The bullet may ricochet and travel in unpredictable directions to strike you or another unintended person or object, or even an object that you cannot see.



**WARNING!** A bullet fired into the air can travel several miles and can kill or seriously injure someone when it comes down. Never fire into the air, or at a target or animal in a tree or on the crest of a hill.



**WARNING!** Before hunting with this or any other firearm, take an approved Hunter Safety Course, taught in all states by the state game commission or by the National Rifle Association (NRA). Follow your state's game laws at all times while hunting.



**WARNING!** Firing a rifle near livestock or other domestic animals may startle them and cause them to injure themselves, other animals, or people, or to cause property damage. Think first before you discharge any firearm.



**WARNING!** If you have not received formal firearms instruction or if you have any doubts about your ability to handle or use this firearm safely, seek supervised instruction from a certified firearms instructor. Information about sources of firearms instruction can often be obtained from your local police department, firearms retailer, gun club, shooting range, state game commission, or from the National Rifle Association ("NRA"), 11250 Waples Mill Road, Fairfax, Virginia 22030, telephone 1-703-267-1000 or 1-800-672-3888.



**WARNING!** Firearms and alcohol do not mix. Never drink alcoholic beverages or take drugs before or during shooting. This constitutes criminal disregard for your safety and that of others. Some medications can impair your vision, balance, reflexes, coordination, alertness or judgment. Never use a firearm while you are taking medication unless you have checked with your doctor to ensure your fitness to handle your firearm safely. Do not handle your firearm when you are ill, tired, upset or distracted.





**WARNING!** If at any time you notice something about the appearance or functioning of your TAVOR® X95™ firearm that does not seem proper or that causes you concern, STOP, unload your firearm immediately, and do not load or fire your firearm until you have it inspected and, if necessary, repaired by a factory-trained armorer or by IWI US, Inc. If you fire your TAVOR® X95™ firearm extensively, have it professionally inspected and serviced periodically (annually is a good average interval) by a factory-trained armorer or by IWI US, Inc.



**WARNING!** Discharging firearms in poorly ventilated areas, cleaning or handling firearms, or handling ammunition may result in exposure to lead and other substances that may cause birth defects, reproductive harm, and other serious physical injury. Have adequate ventilation at all times. Wash your hands and face thoroughly after exposure, and before eating or drinking. Shooting, handling or cleaning guns may expose you to lead, which is a toxic substance.

**REMEMBER, FIREARMS SAFETY DEPENDS ON YOU! THERE ARE NO “FOOLPROOF” GUNS, INCLUDING THE TAVOR® X95™. A SINGLE MOMENT OF INATTENTION OR A SINGLE FAILURE TO FOLLOW THESE FIREARMS SAFETY RULES AND WARNINGS CAN RESULT IN TRAGEDY. YOU ARE RESPONSIBLE FOR THE GUN THAT IS IN YOUR HANDS, IN YOUR POSSESSION, OR UNDER YOUR CONTROL. FIREARMS SAFETY DEPENDS ON YOU!**

---

## 7 Firearms Safe Home Storage Checklist

---

- Firearms naturally attract the attention of children, teenagers and adults alike. Accordingly, it is YOUR responsibility to ensure that your firearms, when unattended, stored, or not in use, are secured under lock and key, safely out of the access of all unauthorized users. This is YOUR responsibility, and any mistake or laziness on your part can result in death or serious injury to your loved ones or others.
- Firearms must be securely stored under lock and key in a location inaccessible to children and other unauthorized persons.
- One of the safest ways to store your firearms is in a locking metal gun safe or lock box. Many models, including ones permitting quick access to the firearm if needed for self-defense, are now available at firearms retailers or via the Internet. Using the cable lock provided with your TAVOR® X95™ SEMI-AUTOMATIC RIFLE (see Using the Cable Lock on pp. 30-31) is a good safety precaution, but not as good as locking your firearm in a metal gun safe, where it is also out of sight and protected from fire, theft, and curious hands.
- Firearms should be unloaded before they are brought into the home.
- All firearms should be immediately cleaned and placed in secure locked storage when they are returned from hunting or target shooting.
- When firearms are removed from storage, they must always immediately be carefully checked to confirm that they are unloaded.
- Ammunition should be stored under lock and key, in a separate location from firearms.
- The operator manual that came with your firearm must be read, understood and followed.

For more information on safe storage and use, refer to the NSSF pamphlets "Firearms Safety Depends on You" and "Firearms Responsibility in the Home", available for download from the NSSF website at <http://nssf.org>.

---

## 8 General Description

---



**DANGER!** Like other “bullpup” rifle designs, the standard TAVOR® X95™ should be fired only from the right shoulder. Left-handed shooters and others wishing to fire the TAVOR® X95™ from the left shoulder, must purchase the factory stock left-hand model, or must convert the rifle to left-hand use and install the left-hand barrel and bolt (see pp. 50-53). **Firing the standard TAVOR® X95™ from the left shoulder or the TAVOR® X95™ with left-hand Conversion Kit in place from the right shoulder will result in ejected cases striking the shooter in the face with considerable force, likely causing serious eye injury and other injury. Fire the rifle only from the shoulder for which it is set up!**

### 8.1 Features

The TAVOR® X95™ features include:

- Rear center of gravity
- Body made of reinforced polymer
- Metal parts treated for corrosion resistance
- Cold hammer forged chrome lined barrel and chamber
- Two position safety
- Folding backup iron sights, adjustable for windage and elevation
- Bolt carrier stop
- Picatinny Style to mount optional equipment
- Integral rubber recoil pad
- Ambidextrous configuration
- No special tools required for field stripping

## 8.2 Function Overview

The TAVOR® X95™ is a semi-automatic bullpup rifle available in a variety of calibers and configurations.

The movement of the safety lever and trigger is transferred rearwards to the sear mechanism with the aid of a bar in the side of the rifle body.

## 8.3 Specifications

The table below details the technical specifications of the TAVOR® X95™.

### Specifications\*

Caliber	5.56 NATO	.300 BLK	9mm Para
Operating System	Closed rotating bolt, long gas stroke on piston head		Blowback
Barrel Length	• 16 1/2" • 18 1/2"	16 1/2"	• 16 1/2"
Rifling	Right hand, 6 grooves, 1:7 inch twist	Right hand, 6 grooves, 1:8 inch twist	Right hand, 4 grooves, 1:10 inch twist
Barrel Material	Cold hammer forged, CrMoV, chrome lined		Cold hammer forged, CrMoV
Magazine Type	Polymer NATO STANAG type		Colt SMG - pattern

## Specifications\* (Cont.)

Caliber	5.56 NATO	.300 BLK	9mm Para
Magazine Capacity	30 rounds		32 rounds
Firing Mode	SAFE / SEMI		
Sights	Folding front sight (blade) with Tritium insert and rear sight (aperture)		
Stock Type	Reinforced polymer bullpup configuration		
Stock Color	<ul style="list-style-type: none"><li>• Black</li><li>• Flat Dark Earth</li><li>• Olive Drab Green</li></ul>		
Tools & Accessories	<ul style="list-style-type: none"><li>• Sight Adjustment Tool</li><li>• Quick Detachable Sling Swivels, set of 2</li><li>• Operator Manual</li><li>• Magazine</li></ul>		

\*. *Technical Data is subject to change without prior notice.*

## 8.4 Differences Between Models

The table below summarizes the differences between the models of the TAVOR® X95™.

### Differences Between Models

Caliber	5.56 NATO	.300 BLK	9mm Para
<b>Body Assembly</b>	5.56 NATO deflector + deflector frame	.300 BLK deflector + deflector frame	<ul style="list-style-type: none"><li>• 9mm Para deflector</li><li>• Magazine adapter</li></ul>
<b>Barrel Assembly</b>	5.56 NATO barrel assembly	.300 BLK barrel assembly + gas regulator*	9mm Para barrel assembly
<b>Recoil Mechanism</b>	Piston	Piston	9mm Para recoil mechanism

\*. See para. 8.10 for the information on the gas regulator.

## 8.5 Ammunition



**WARNING!** Discharging firearms in poorly ventilated areas, cleaning or handling firearms, or handling ammunition may result in exposure to lead and other substances that may cause birth defects, reproductive harm, and other serious physical injury. Have adequate ventilation at all times. Wash your hands and face thoroughly after exposure, and before eating or drinking. Shooting, handling or cleaning guns may expose you to lead, which is a toxic substance.

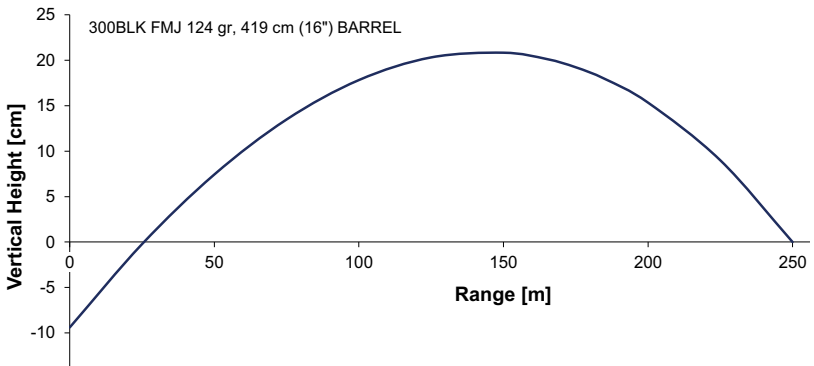
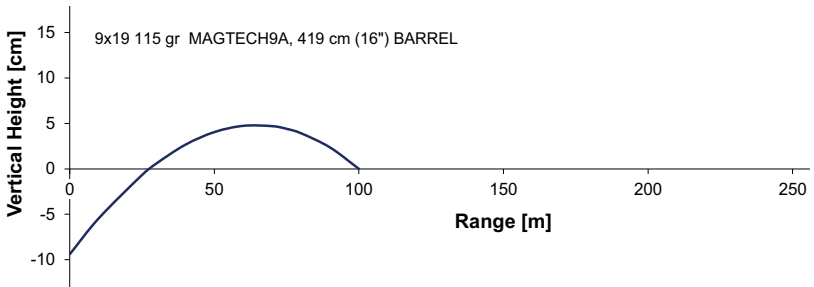
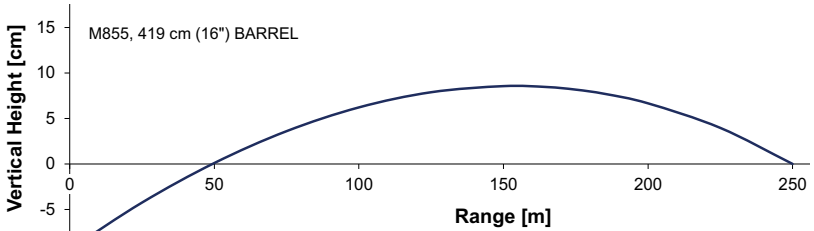
Use only high quality commercially manufactured ammunition in good condition of the appropriate caliber. The caliber of your rifle is marked on the barrel. The TAVOR® X95™ is chambered for 5.56 NATO, 9mm or .300 Blackout. Use only NATO or SAAMI specification ammunition.

Not all ammunition produces the same result. IWI US, Inc. recommends that once you find a brand which functions best, keep using it.

IWI US, Inc. does not recommend using hand loads, reloads or remanufactured ammunition, or foreign or military surplus ammunition of unknown or questionable quality. The use of this ammunition will void the IWI US, Inc. warranty, and may be dangerous, possibly causing death or serious injury if the ammunition is not made to the proper specifications.

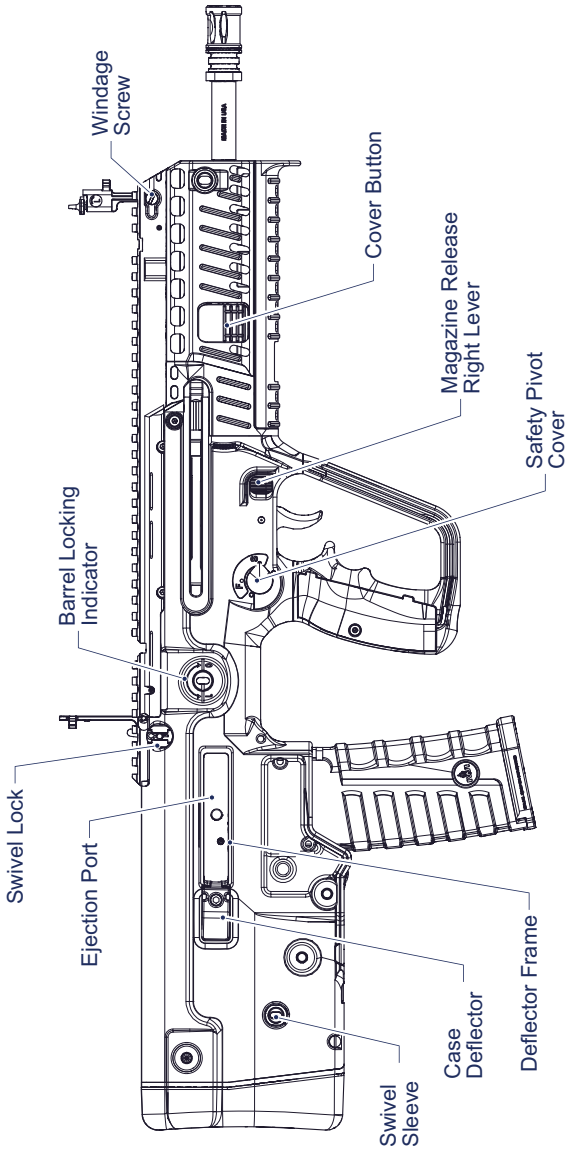
## 8.6 Ballistic Trajectories

**NOTE** The ballistic trajectory varies based on the physical characteristics of the round (type of the powder, primer, and bullet) as well as the actual speed of sound resulting from such factors as wind, altitude, air temperature, humidity, etc.

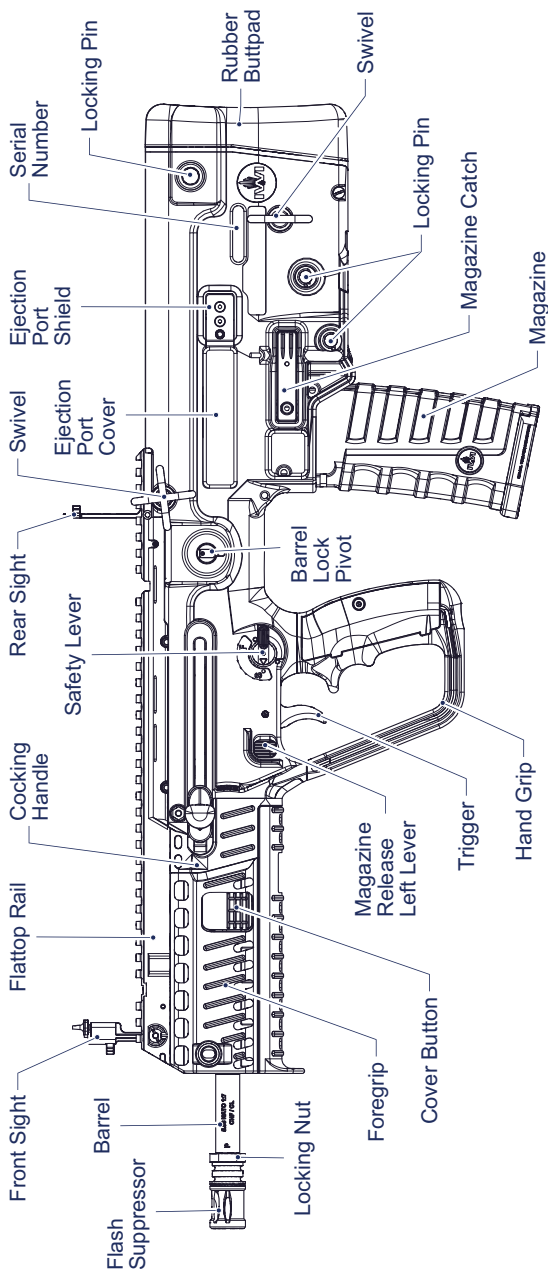




## 8.7 Right External View



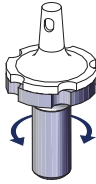
## 8.8 Left External View



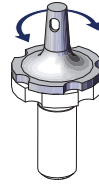
## 8.9 Aiming System

The standard blade consists of two discs—lower and upper. Rotating the lower disc changes the elevation. Rotating the upper disc once the elevation is good aligns the Tritium dot inside the aperture.

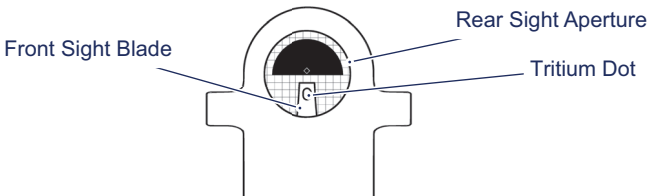
To adjust elevation:



To adjust Tritium dot position:



The folding front and rear backup iron sights are of blade and aperture type respectively, which enables aiming by viewing the blade through the aperture, and visually centering the top of the blade in the aperture. The blade has a tritium source that enables aiming in low lighting conditions.



---

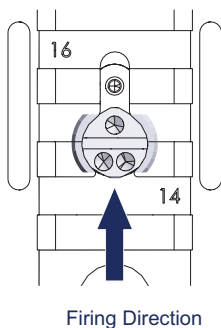
**NOTE** For sight adjustments and the zeroing procedure, see pp. 39-40.

---

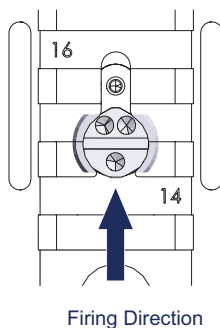
## 8.10 .300 BLK Gas Regulator Positions\*

In .300 BLK models, a gas regulator is integrated into the barrel to control the amount of pressure exerted on the piston by the fired cartridge. The gas regulator has two positions, as viewed from the butt end:

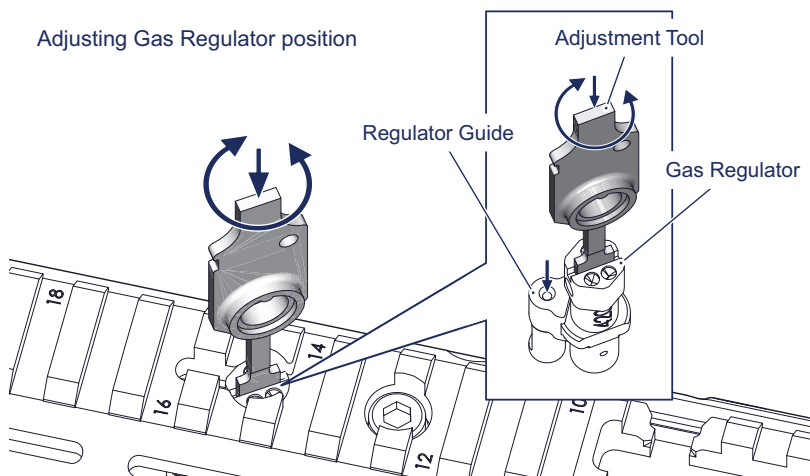
**Position 1**  
for supersonic ammunition



**Position 2**  
for subsonic ammunition



Switching between the positions is done by rotating the gas regulator 180° by means of the *sight adjustment tool*.



\*. Gas regulator is only featured on .300 BLK models.

To change between the positions, proceed as follows:

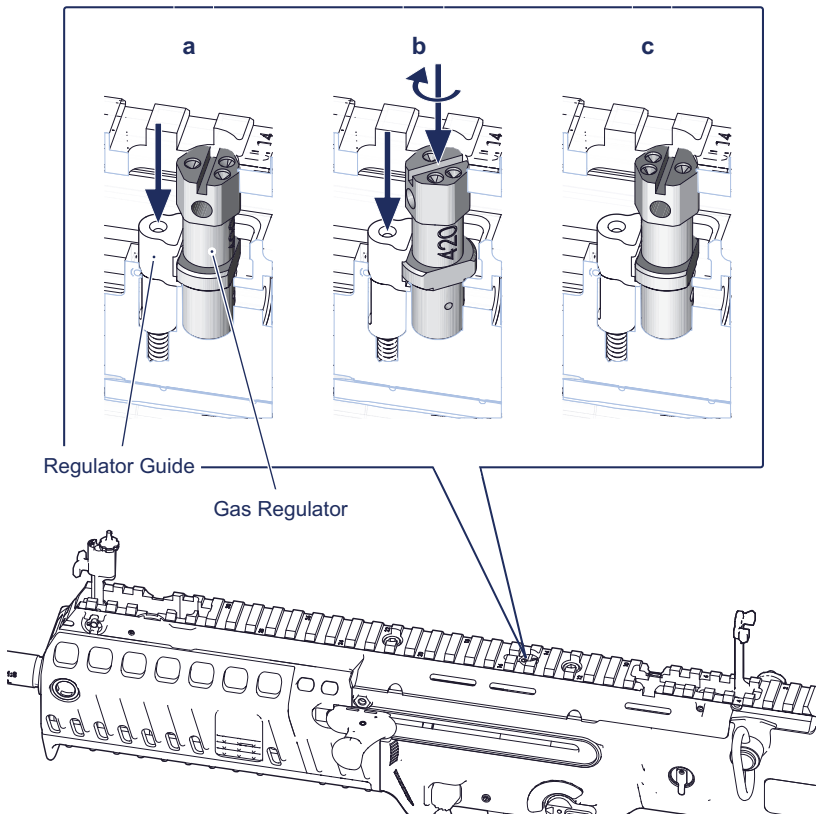
Using a small pointed object, press and hold the regulator guide (a) and then press down the regulator using the flat tip of the sight adjustment tool,

---

**NOTE** Do not let go of the regulator until it completes the entire 180° turn. In its final position, the rim of the regulator is engaged by the step of the regulator guide.

---

While applying slight pressure on the guide and the regulator, rotate the regulator 180° in any direction (b) and then let go of the both (c). The regulator guide snaps under the rim of the gas regulator with an audible click.



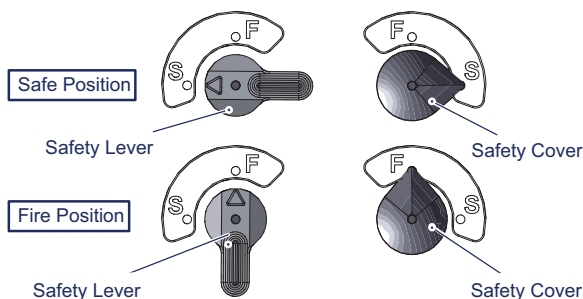
## 8.11 Safety Lever Positions



**WARNING!** Safety is the first and foremost concern when handling any firearm. Always keep the muzzle pointed in a safe direction! Keep your trigger finger outside the trigger area until you are aimed at a proper (safe) target and intend to fire! Keep the safety lever “ON SAFE” until you are aimed at a proper target and only then move the safety lever to the FIRE position.

The Safety Lever is located on the left side of the rifle body and has two positions: **FIRE (F)** and **SAFE (S)**.

The Safety Lever position is also visible from the right side of the rifle body, with the tip of the safety cover pointing to the F or S markings.

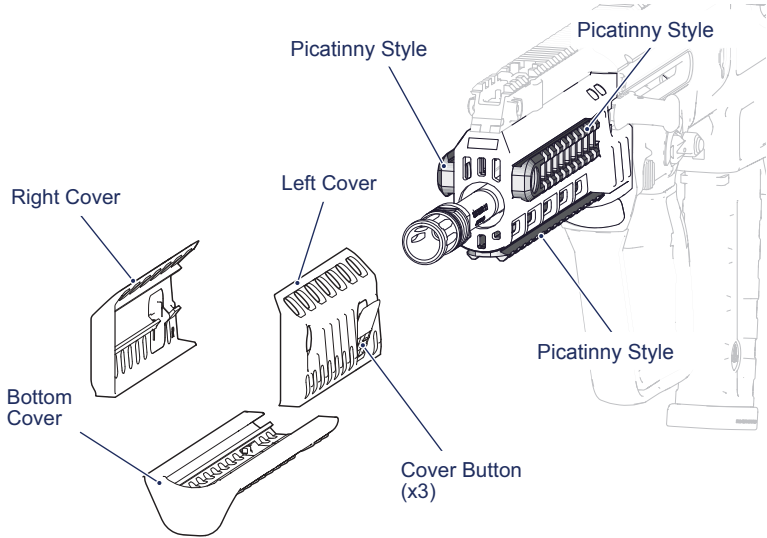


**WARNING!** The Safety Lever is not intended as a replacement for safe gun handling practices. Do not rely on the Safety Lever alone to keep you and others safe. Always keep the muzzle pointed in a safe direction and keep your finger off the trigger until you are ready to shoot.

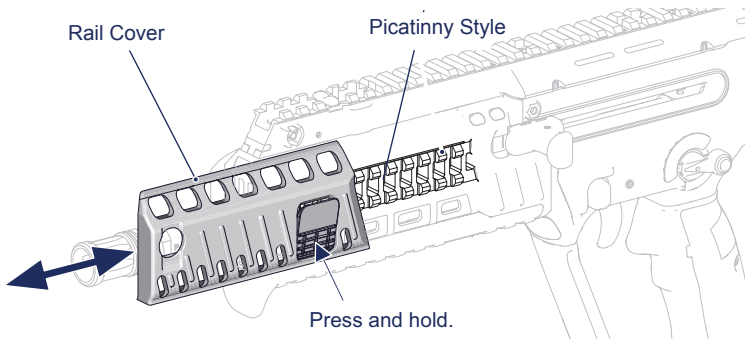
## 8.12 Tri-Rail Foregrip

The tri-rail foregrip is designed to accommodate optional accessories, including flashlight, laser pointer, vertical fore grip, bipod, etc.

The Picatinny Style rails are protected by three removable vented covers. Each cover fits only one rail.



To remove a cover, slide it off the rail while pressing the cover button.



To install a cover, fit it to the end of the matching rail and slide the rear, while simultaneously pressing the cover button.

## 9 Using the Cable Lock

Your TAVOR® X95™ rifle is supplied with a quality cable lock. Properly used, this lock will help you to secure your firearm from children and other unauthorized users to reduce the chance of an accident, either in the home or while transporting your firearm, provided you take the other reasonable safety precautions contained in this Operator Manual.



**WARNING!** NEVER attempt to use the cable lock on a loaded firearm - always unload the firearm before installing the cable lock. Otherwise, the firearm could discharge, causing death or serious injury.



**WARNING!** NEVER insert the cable lock into the trigger guard or trigger area of the TAVOR® X95™ or any other firearm, as the cable could press against the trigger and fire the gun, causing death or serious injury.



**WARNING!** The cable lock supplied with your TAVOR® X95™ rifle may not fit or work properly on other firearms. This lock is intended for use only on your TAVOR® X95™ rifle.

To use the cable lock, do the following:

1. Be sure your firearm is empty (unloaded) by following the Unloading and Safety Check procedure on pp. 32-33).

Your rifle should now be unloaded, with the safety lever “ON SAFE” and the bolt carrier locked open (to the rear).





**WARNING!** Keep the muzzle pointed in a safe direction, your fingers outside the trigger area, and the safety lever “ON SAFE” throughout the process of putting the cable lock on your rifle.

- Using the key, open the cable lock. Leave the key in the lock.
- Insert the end of the cable lock cable through the ejection port and out through the empty magazine well.
- Insert the end of the cable lock cable into the lock body and hold the end of the cable fully into the lock body while you turn and remove the key to lock the lock.
- Tug hard on the cable several times to be sure the lock is locked securely.

Used in this way, the cable lock will prevent the bolt carrier from closing, preventing the rifle from being fired.

- Take the key with you, or store the key securely in a remote location from the firearm.
- Store your firearm in a secure place out of sight, and out of reach of children.

---

### *NOTE*

*While the cable lock can be an important part of your firearms security program, for home storage it is not as secure as locking your gun in a metal gun safe or lock box. Use of the cable lock alone will not prevent your firearm from being stolen, and will not keep your firearm out of view of unauthorized users. The cable lock can be cut off the firearm with a hacksaw, bolt cutter or cable cutter.*

---

---

## 10 Operating Instructions

---



**WARNING!** Before your firearm left the factory, it was function tested, inspected and packaged. IWI US, Inc. can not control the product handling after it has left our factory. Therefore, at the time of purchase carefully examine the rifle to be sure it is unloaded and undamaged and all components are included. Seek your dealer's help for assistance in examining the firearm and to answer your questions.

### 10.1 Preparation for Firing



**WARNING!** Always handle and treat your firearm as if it is loaded! Never take anyone's word that it is unloaded. Keep the muzzle pointed in a safe direction at all times. Keep your fingers outside the trigger area until you are aiming at a safe target and intend to fire.

#### 10.1.1 Unloading and Safety Check

To unload or clear your rifle of live ammunition or to make sure it is unloaded, keep the muzzle pointed in a safe direction and your finger outside the trigger area while performing the following steps:

1. Using your thumb, ensure that the safety lever is positioned to S, "SAFE" (see Safety Lever Positions on p. 28).
2. Press the magazine release lever and pull the magazine down and out of the rifle.
3. Hold the rifle grip with your strong hand, keeping trigger finger straight on the frame of rifle.

4. Raise the muzzle 60° above a horizontal position.
5. Cock and release the cocking handle fully three times releasing the cocking handle to let the bolt carrier move forcefully each time (do not “RIDE” the cocking handle forward).

Lean slightly forward, turn the rifle so its butt is horizontal with its right side on top, and brace the butt of the rifle securely. Pull and hold the cocking handle fully to the rear with support hand and move your strong hand to push in the front end of the bolt carrier stop, letting the bolt then move slightly forward to lock the bolt back (to the rear).

6. Lower the muzzle 45° below a horizontal position.
7. Check visually that the barrel chamber is empty (“CLEAR”). If there is not enough light for you to see clearly that the chamber is empty, use a flashlight or other artificial light. You must not “think” the chamber is empty, you must KNOW it is empty, because if you are wrong, death or serious injury may result.
8. Pull back on the cocking handle and release, or depress the rear of the bolt carrier stop, to close the bolt for storage.
9. Lower the muzzle 30° below a horizontal position.
10. Move the safety lever to the F, “FIRE”, position. Pull the trigger (“dry fire”). This will place the hammer in the fired position for storage.
11. Move the safety lever to the S, “SAFE”, position. Your rifle is now ready for storage.



**WARNING!** Check the rifle to make sure there is no excessive oil or other obstruction in the bore. Always clean a new rifle before firing!

## 10.1.2 Complete Function Test



**WARNING!** Perform this test after **any** firearm conversion, inspection, or part replacement.



**WARNING!** Make sure the rifle is cleared, unloaded, the magazine has been removed, and the chamber is clear (“EMPTY”) before performing the safety function test and that the muzzle is pointed in a safe direction at all times.

1. Check the rifle for completeness.
2. Pull the cocking handle to the rear and release it. Verify proper and free movement of the rifle parts.
3. Set the Safety to F, “FIRE”, cock the rifle and release the trigger slowly until the release of the hammer can be heard.

Pull the trigger again and cock the rifle while the trigger is still pulled. Verify that the trigger is not released. Release the trigger and verify that the reconnection click is heard.

Pull the trigger and verify that the hammer is released.

4. Set the safety to F, “FIRE” and cock the rifle. While holding the cocking handle in the rear position, engage a dummy round or spent casing into the bolt face so that its rim is hooked under the extractor claw.

Release the cocking handle and let the bolt close rapidly. Now, pull the cocking handle to the rear again. Verify that the dummy round/spent casing is ejected through the ejection port.

5. Insert an empty magazine into the magazine well and verify it is held by the magazine catch.  
  
Cock the rifle and verify that the recoil mechanism is held in the rear position.  
  
Release the magazine and press the bolt carrier stop assembly, verify the recoil mechanism is released.
6. Cock the rifle and check the ability to set the safety to S, "SAFE".
7. Verify the ability to cock the rifle when the safety is set to S, "SAFE".
8. Verify that the hammer is not released when the safety is set to S, "SAFE".
9. Pull the cocking handle to the rear and check for proper function of the cocking assembly.
10. With the cocking handle in the rear position, the cocked hammer must be stopped by the disconnecter and sear.
11. Verify proper locking of the bolt in the barrel extension.
12. Check the folding backup sights for proper assembly.
13. Check the tritium source in the front backup sight for proper function.
14. Verify the flash suppressor locking nut is properly tightened.



**WARNING!** If the rifle fails any of the preceding steps of the test, **do not load or use the rifle**. Contact IWI US, Inc. to return the rifle for inspection and repair.

## 10.2 Loading



**WARNING!** Always check that the ammunition is clean and undamaged, and the correct caliber for the rifle. Forcing damaged ammunition into the chamber could result in injury, death, damage to property and damage to your rifle.

1. To load the magazine:
  - a. With the front of the magazine forward, place a round between the magazine lips with the tip of the round pointed forward.
  - b. Push the round down into the magazine until it is retained by the magazine lips.
  - c. Place the next round on top of the previous round and press down again. Repeat until the desired number of rounds are loaded.
2. To load the rifle:



**WARNING!** Always position the Safety Lever in the S (Safe) position when loading and unloading the firearm.



**WARNING!** Upon firing, a hot, empty shell casing is forcefully ejected from the ejection port of the firearm. All persons present must wear suitable eye protection, and must stand clear of the case ejection area.

- a. Raise the muzzle 60° above a horizontal position.
- b. Hold the rifle grip with your strong hand, keeping trigger finger straight on the frame of rifle.

- c. Using your thumb, ensure that the safety lever is positioned to S, "SAFE" (see Safety Lever Positions on p. 28).
- d. Insert the magazine in the magazine well; once seated, push up then pull down on the magazine to ensure it is locked in place.
- e. Cock the rifle by releasing the bolt to move forward forcefully if the bolt is locked open, or by pulling the cocking handle fully rearward and releasing if the bolt is closed. Do not "RIDE" the bolt forward.

**THE RIFLE IS NOW READY TO BE FIRED WITH A ROUND IN THE CHAMBER AND THE SAFETY LEVER ON S (SAFE).**

## 10.3 Firing



**WARNING!** Do not chamber a round until you are ready to fire the rifle. Always keep the muzzle pointed in a safe direction. Do not disengage the safety or put your finger into the trigger area until you are aimed at a safe target and intend to fire. Always wear eye and hearing protection when firing your rifle.

1. With the rifle loaded and the safety lever on S, "SAFE", firmly position the butt to your shoulder with support hand on the foregrip and the strong hand on the hand grip with the trigger finger alongside the rifle's frame or trigger guard. **DO NOT HAVE YOUR TRIGGER FINGER ON THE TRIGGER AT THIS TIME.**
2. Aim by aligning the front and rear sights on the target.
3. Move the safety lever to the F, "FIRE", position.
4. Gently pull the trigger until the hammer releases and the rifle fires. Release the trigger.



**WARNING!** This semi-automatic rifle will automatically eject the spent case and load the next round from the magazine into the chamber, ready to fire if you pull the trigger again.

Repeat aiming and pulling the trigger to fire a shot, then releasing the trigger, aiming and pulling the trigger to fire the next round and subsequent rounds. until you are finished firing or the magazine is empty.

5. When finished firing, remove your finger from the trigger, place straight alongside the frame of the rifle, and move the safety lever in the S, "SAFE", position.

After the last round is fired from the magazine (when the magazine is empty), the bolt carrier will lock in the rear position.

**...WHEN THE MAGAZINE IS EMPTY:**

6. Remove the empty magazine by pressing the magazine release lever.

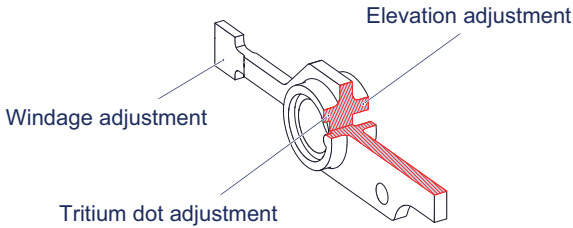
To continue firing, insert another loaded magazine, release the bolt carrier stop and a new round will be chambered. Be careful because the rifle is now ready to fire again if the trigger is pulled.

7. Whenever you stop firing, even momentarily, place the safety lever in the S, "SAFE", position.
8. When you finish firing, unload the rifle and confirm that it is empty ("Clear"), following the Unloading and Safety Check procedure on pp. 32-33.

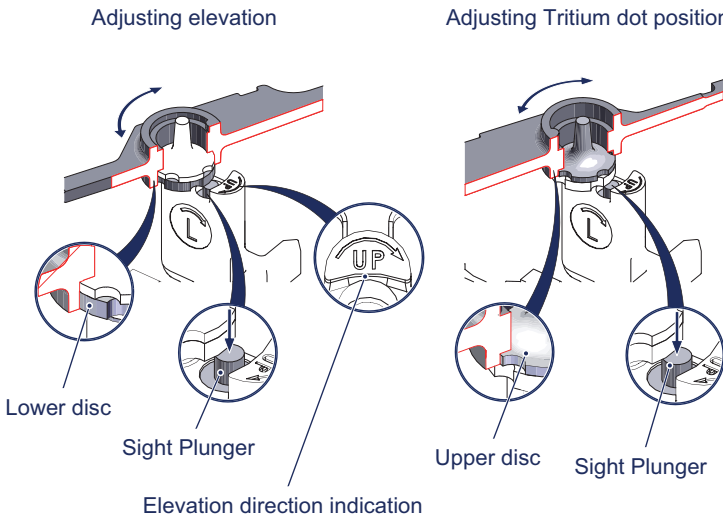


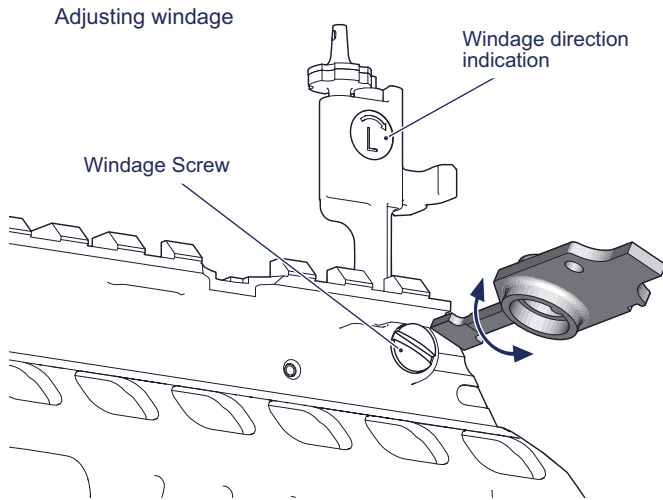
## 10.4 Sight Adjustments

The zeroing correction is done by rotating the front sight blade and windage screw with the *sight adjustment tool* (during rotation, clicks sound).



The elevation cutout has unequal depths on the sight adjustment tool two sides. The deep side acts on the blade lower disc and is used to change elevation. The shallow side acts on the blade upper disc and is used to align the Tritium dot with the aperture.





## 10.5 Zeroing Procedure

1. Fire 6 rounds at a zeroing target placed at a 25 m distance.
2. Determine your group by taking the 5 rounds that are closest to each other on the target. Disregard the sixth round.
3. Calculate the MPI (Mean Point of Impact, the geometrical center of all the points of impact).
4. Using the squares on the zeroing target, calculate the number of “clicks” needed to bring the MPI to the OPI (Optimal Point of Impact).

One click equals 1.4 cm (one square on the zeroing target) at 25 meters both for windage and elevation.

---

**NOTE** After zeroing the rifle, make sure that the white dot is facing towards the rear sight (see p. 39).

---

# 11 Troubleshooting



**DANGER!** During all troubleshooting, keep finger off the trigger and keep muzzle pointed in a safe area.

## Troubleshooting Table

	Possible Cause	Management
Recoil Mechanism in forward position	<ul style="list-style-type: none"><li>• Magazine not seated properly</li><li>• No round in chamber</li><li>• Bolt not locked due to dirt or lack of lubrication</li><li>• Faulty ammunition</li></ul>	<ol style="list-style-type: none"><li>1. Tap magazine base.</li><li>2. Cycle the action of the rifle with the cocking handle.</li><li>3. Continue firing.</li></ol>
	Firing pin broken or worn out	Contact <a href="mailto:service@iwi.us">service@iwi.us</a> .
	Bolt not rotated into full battery	<p>Pull charging handle to rear and fully release.</p> <p>Also: Do not ride charging handle forward.</p>

## Troubleshooting Table (Cont.)

	Possible Cause	Management
Recoil Mechanism in middle position	<ul style="list-style-type: none"> <li>• Double feeding—two rounds chambered simultaneously</li> <li>• Cartridge case was not properly extracted</li> </ul>	<ol style="list-style-type: none"> <li>1. Move safety lever to S (“SAFE”) position and lock the bolt to the rear, then remove magazine.</li> <li>2. Cycle the action of the bolt with the cocking handle 3 times, with ejection port pointing towards the ground.</li> <li>3. Re-insert magazine.</li> <li>4. Close the bolt of the rifle, disengage safety and continue firing.</li> </ol>
	<p>Fouling caused by residue from hot gases, dirt*</p> <p>*. <i>Occurs in .300 BLK models.</i></p>	<ol style="list-style-type: none"> <li>1. Remove the gas regulator (see pp. 58-59).</li> <li>2. Clean the gas ports of the barrel and gas regulator.</li> <li>3. Install the gas regulator (see pp. 60-61).</li> <li>4. Perform Complete Function Test (see pp. 34-35).</li> </ol>
	Faulty extractor or ejector	Contact <a href="mailto:service@iwi.us">service@iwi.us</a> .

## Troubleshooting Table (Cont.)

	Possible Cause	Management
Recoil Mechanism in rear position	Empty magazine	<ol style="list-style-type: none"><li>1. Move safety lever to S ("SAFE") position and remove magazine.</li><li>2. Insert a full magazine.</li><li>3. Cycle the action of the bolt with the cocking handle, or by pressing in on the bolt carrier stop to chamber a round.</li><li>4. Disengage safety and continue firing.</li></ol>

---

## 12 Maintenance

---

### 12.1 Pre-Firing Maintenance

1. Perform Unloading and Safety Check (see pp. 32-33).
2. Remove the recoil mechanism (see p. 64).
3. Wipe out sand and dust from external parts with the general cleaning brush.
4. Pass the cleaning rod with a cleaning patch through the barrel and chamber to be sure the bore is not obstructed and to remove any grease or excess oil.
5. Install the recoil mechanism (see p. 65).
6. Perform Complete Function Test (see pp. 34-35).

## 12.2 Post-Firing Maintenance

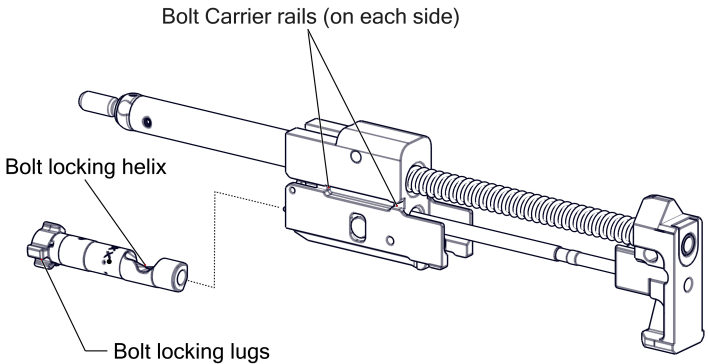
1. Perform Unloading and Safety Check (see pp. 32-33).
2. Remove the recoil mechanism (see p. 64).

---

*NOTE* Steps 3 and 4 are only applicable to .300 BLK models.

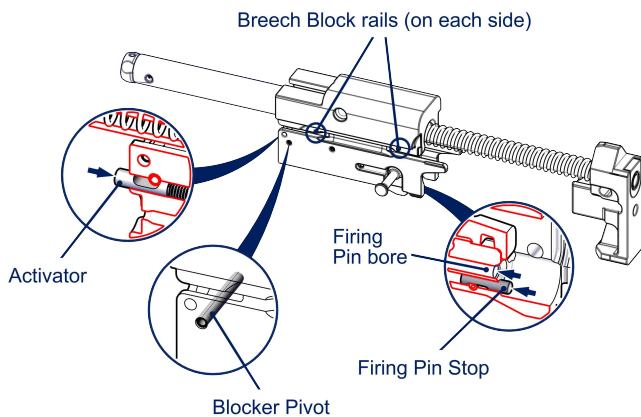
3. Remove the gas regulator (see pp. 58-59).
  4. Clean the gas ports of the barrel and gas regulator.
- 
5. Pass the cleaning rod with a cleaning patch through the barrel. Always start from the chamber end towards the muzzle.

6. Disassemble and lubricate the recoil mechanism's parts as follows:
  - in a 5.56 NATO/.300 BLK recoil mechanism (gas operation):
    - i. Separate the bolt guiding pin, bolt assembly, firing pin and spring from the bolt carrier (see pp. 74-75).
    - ii. Clean the parts thoroughly, inspect for cracks and fractures.
    - iii. Use the oil to lubricate the following:
      - Bolt carrier rails on both sides: one drop of oil on each point of contact with the insert receiver rails
      - Bolt locking lugs
      - Bolt locking helix
    - iv. Reassemble the recoil mechanism (see pp. 76-77).
    - v. Verify the extractor and ejector springiness.





- in a 9mm Para recoil mechanism (blowback operation):
  - i. Pull open the locking pins and remove the firing pin (see p. 78).
  - ii. Clean the parts thoroughly, inspect for cracks and fractures.
  - iii. Place one drop of oil inside the firing pin bore. Insert the firing pin into its hole and pull it out. Repeat several times to ensure smooth movement.
  - iv. Place one drop of oil on the block head. Depress the ejector several times to work the oil in.
  - v. Lubricate the rails on the breech block (one drop per side on both sides of the breech block).
  - vi. Place one drop of oil on each tip of the blocker pivot.
  - vii. Place one drop of oil on the head of the firing pin blocker activator. Depress the firing pin blocker activator several times to work the oil in.
  - viii. Install the firing pin and close the locking pins (see p. 80).
  - ix. Verify the extractor and ejector springiness.



7. Install the recoil mechanism (see p. 65).

---

*NOTE* Step 8 is only applicable to .300 BLK models.

---

8. Install the gas regulator (see pp. 60-61).
9. Perform Complete Function Test (see pp. 34-35).

## 12.3 Maintenance Before Storing



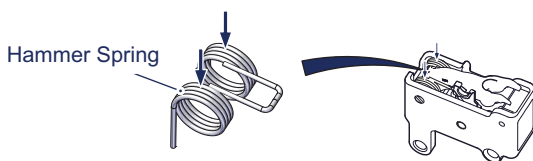
**CAUTION!** It is important to thoroughly clean the rifle when storing for long periods, or if exposed to water, mud, sand.

1. Perform Unloading and Safety Check (see pp. 32-33).
2. Remove the sear mechanism (see pp. 62-63).
3. Remove the recoil mechanism (see p. 64).
4. Clean the exterior body with the general cleaning brush.
5. Use the chamber and barrel extension cleaning brush to clean the chamber and locking lugs on the barrel extension.
6. Use the brass barrel bore brush to clean the bore. Always start from the chamber end and ensure brush clears the muzzle before pulling back through barrel. Do this several times to remove debris from barrel.
7. Use the internal receiver cleaning brush to clean the interior body.

---

**NOTE** Steps 8 and 9 are only applicable to .300 BLK models.

8. Remove the gas regulator (see pp. 58-59).
  9. Clean the gas ports of the barrel and gas regulator.
- 
10. Disassemble the recoil mechanism according to the instructions in step 6 of the Post-Firing Maintenance procedure (see p. 46). Clean the parts using cleaning mixture.
  11. Lubricate the recoil mechanism parts according to the instructions in step 6 of the Post-Firing Maintenance procedure (see p. 46).
  12. Clean the metal surfaces of the sear mechanism with the general cleaning brush.
  13. With the hammer in the cocked position, lightly lubricate the hammer spring coils.



14. Install the sear mechanism (see p. 63).
15. Install the recoil mechanism (see p. 65).

---

**NOTE** Step 16 is only applicable to .300 BLK models.

16. Install the gas regulator (see pp. 60-61).
- 
17. Perform Complete Function Test (see pp. 34-35).

**NOTE** When storing for long periods, it is important to clean and re-lubricate the rifle regularly to prevent pitting and rust; you may also decide to add thicker oil that will not evaporate quickly over time.  
Be sure to remove the excess oil from the rifle parts prior to firing.

## 13 Rifle Conversion

This section provides general instructions for the following conversion procedures:

<u>Para.</u>	<u>Conversion</u>
13.1	Conversion to Opposite Hand Operation
13.2	Caliber Conversion

### 13.1 Conversion to Opposite Hand Operation

Caliber	5.56 NATO	.300 BLK	9mm Para
Tools & Materials	Dedicated conversion kit	Dedicated conversion kit	Barrel wrench
	Opposite Hand Bolt		
Initial Setup	Unloading and Safety Check of the rifle performed (see pp. 32-33).		



**WARNING! KEEP THE MUZZLE POINTED IN A SAFE DIRECTION AT ALL TIMES. REMOVE ALL AMMUNITION FROM THE WORK AREA BEFORE YOU BEGIN.**

1. Remove the recoil mechanism (see p. 64).
2. Transfer the cocking handle, swivel sleeve to opposite side:
  - a. Remove the hand grip assembly (see p. 66).
  - b. Remove the foregrip group (see p. 67).
  - c. Remove the cocking bar assembly (see p. 68).
  - d. Remove the barrel-rail group (see p. 69).
  - e. Remove the dust protection plate, flip 180° and reinstall on the gas cylinder tube, making sure the recess points to the opposite side (see p. 71).

---

**NOTE** *In 5.56 NATO models, make sure you replace the barrel unit with the opposite hand barrel unit (see p. 83).*

---

- f. Install the barrel-rail group (see p. 70).
  - g. Install the cocking bar assembly while rotating it 180° so that the cocking handle is pointing to the opposite side (see p. 68).
  - h. Install the foregrip group (see p. 67).
  - i. Install the hand grip assembly (see p. 66).
3. Convert the body assembly to opposite hand operation:

---

**NOTE** *Deflector frame (see p. 88) is only used with gas-operated models.*

---

- a. Remove the deflector and deflector frame (see p. 88).
  - b. Remove the ejection port cover and cover base (see p. 89).

---

**NOTE** In .300 BLK models, the opposite side deflector and deflector tightening screw are included with the dedicated conversion kit.

---

- c. Install the deflector and deflector frame on the opposite side of the rifle body (see p. 88).
- d. Install the ejection port cover and cover base on the opposite side of the rifle body (see p. 89).
- e. Remove the safety lever and safety pivot cover and reinstall on opposite sides of the rifle body (see pp. 91-92).

---

**NOTE** In 9mm Para models, make sure the ejector is installed in the correct side of the magazine adapter. For disassembly/reassembly of the magazine adapter assembly, see p. 93.

---

4. Convert the recoil mechanism to opposite hand ejection:
  - a. Disassemble the recoil mechanism (see pp. 73- 78).
  - b. Reassemble the recoil mechanism, while performing the following adjustments:

- gas-operated recoil mechanism (pp. 76-77):

- i. Change side for the general pin, bolt carrier rear pin.
- ii. Replace the bolt assembly with the opposite hand bolt assembly.

- blowback recoil mechanism (p. 80):

- i. Change side for the general pin.
- ii. Change sides for the extractor and extractor hole plug.

5. Reassemble the rifle:
  - a. Install the recoil mechanism (see p. 65).
  - b. Perform Complete Function Test (see pp. 34-35).

## 13.2 Caliber Conversion

Tools & Materials	Caliber conversion kit
Initial Setup	Unloading and Safety Check of the rifle performed (see pp. 32-33).



**WARNING!** KEEP THE MUZZLE POINTED IN A SAFE DIRECTION AT ALL TIMES. REMOVE ALL AMMUNITION FROM THE WORK AREA BEFORE YOU BEGIN.



**WARNING!** After the caliber conversion, your rifle must be checked for the correct headspace with proper GO and NO-GO headspace gauges. Contact a competent gunsmith to perform this service for you or contact IWI US, Inc. for return of your firearm to IWI US, Inc. for performance of this service. **DO NOT** fire your rifle until this headspace check has been completed.

**NOTE** *It is normal for the amount of back pressure to increase while firing the converted rifle in 9 mm. This is common with a blowback system.*

1. Remove the recoil mechanism (see p. 64).
2. Replace the barrel with the alternate caliber barrel:
  - a. Remove the hand grip assembly (see p. 66).
  - b. Remove the foregrip group (see p. 67).
  - c. Remove the cocking bar assembly (see p. 68).
  - d. Remove the barrel-rail group (see p. 69).



- e. Disassemble the barrel-rail group (see p. 81). Proceed as follows:

<ul style="list-style-type: none"> <li>• <i>cal. 5.56 NATO/9mm Para:</i> <ul style="list-style-type: none"> <li>i. Disassemble the barrel group (see p. 83).</li> <li>ii. Reassemble the barrel group while replacing the barrel unit with the alternate caliber barrel unit (see p. 83).</li> </ul> </li> </ul>	<ul style="list-style-type: none"> <li>• <i>cal. .300 BLK:</i></li> </ul> <p>Replace the barrel unit with the alternate caliber barrel unit.</p>
------------------------------------------------------------------------------------------------------------------------------------------------------------------------------------------------------------------------------------------------------------------------------------------------------------------	--------------------------------------------------------------------------------------------------------------------------------------------------

- f. Reassemble the barrel-rail group (see p. 82).
- g. Install the barrel-rail group (see p. 70).
- h. Install the cocking bar assembly (see p. 68).
- i. Install the foregrip group (see p. 67).
- j. Install the hand grip assembly (see p. 66).
3. Adjust the body assembly to alternate caliber recoil mechanism (see pp. 87-91).

---

**NOTE** *Deflector frame (see p. 88) is only used with gas-operated models.*

---



---

**NOTE** *The 9mm Para magazine requires a special adapter installed. See p. 72 for installation/removal instructions.*

---

4. Reassemble the rifle:
- a. Install the recoil mechanism (see p. 65).
- b. Perform Complete Function Test (see pp. 34-35).

---

## 14 Disassembly & Assembly Instructions

---



**WARNING!** Be sure the rifle is unloaded before starting the disassembly! Keep the muzzle pointed in a safe direction except when the rifle is disassembled and incapable of firing.

### 14.1 Removal & Installation

This section provides the following removal/installation procedures for the following rifle components and parts:

<u>Para.</u>	<u>Part/Component</u>
14.1.1	Quick-Detach Sling Swivels
14.1.2	.300 BLK Gas Regulator
14.1.3	Sear Mechanism
14.1.4	Recoil Mechanism
14.1.5	Hand Grip Assembly
14.1.6	Foregrip Group
14.1.7	Cocking Bar Assembly
14.1.8	Barrel-Rail Group
14.1.9	Dust Protection Plate
14.1.10	Magazine Adapter Assembly

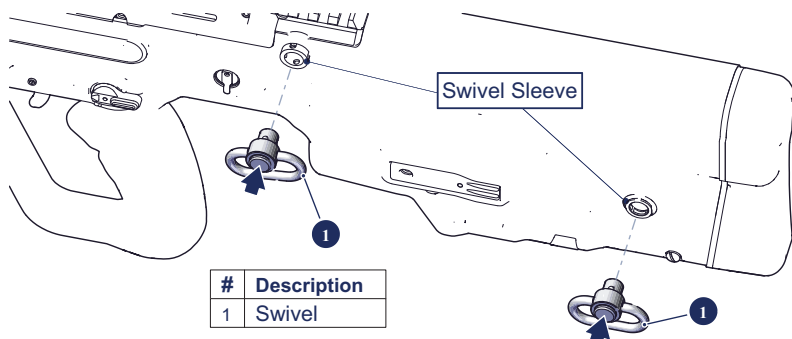
## 14.1.1 Quick-Detach Sling Swivels

Tools & Materials | None

Initial Setup | Unloading and Safety Check of the rifle performed (see pp. 32-33).

### Removal

Press the swivel button and remove swivel **1**.



### Installation

Place swivel **1** on the swivel sleeve and push into place.

## 14.1.2 .300 BLK Gas Regulator\*

Tools & Materials	<ul style="list-style-type: none"><li>• 3 mm punch</li><li>• Sight adjustment tool*</li></ul>
Initial Setup	Unloading and Safety Check of the rifle performed (see pp. 32-33).

\*. *Sight adjustment tool is included with the TAVOR® X95™ kit.*

### Removal

1. As you press regulator guide ① with a 3 mm punch (a), insert the flat tip of the sight adjustment tool into the slot of gas regulator ②.

Apply light pressure on the guide and regulator as you rotate the regulator 90° (b). When the regulator slot is parallel to the firing direction (c), release the guide and regulator.

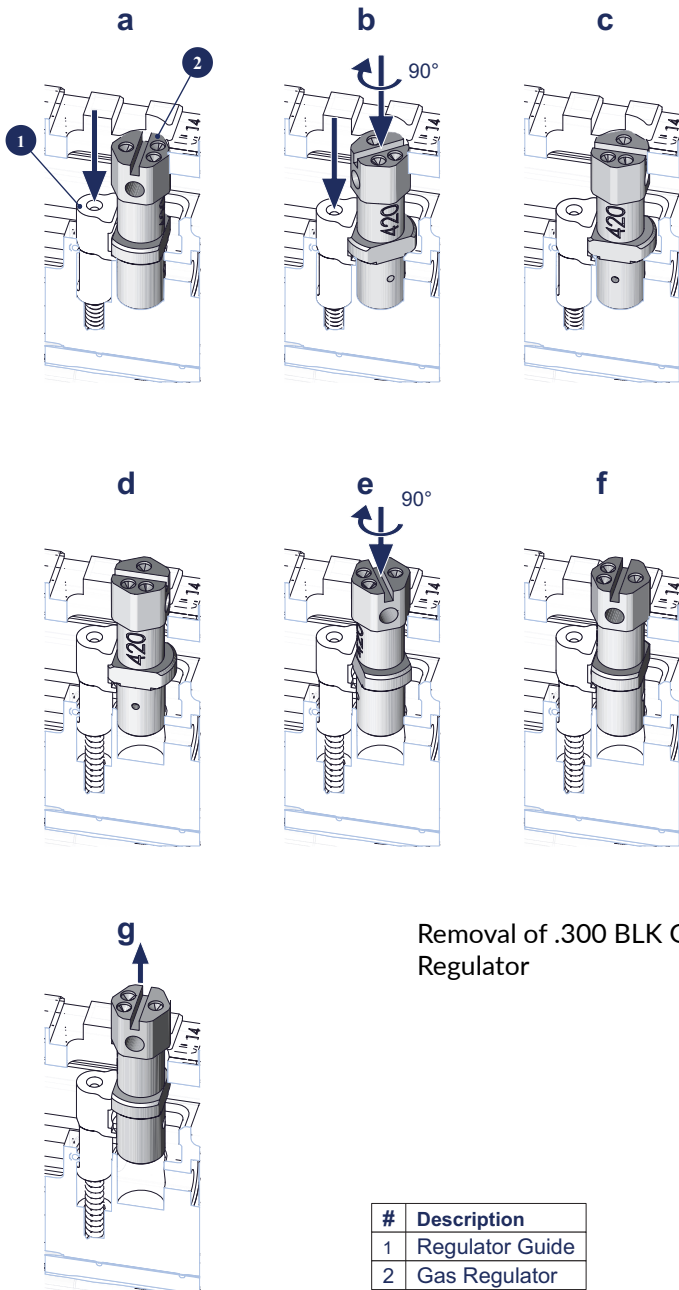
The regulator rim has been released from the lower step of the regulator guide. The guide and regulator are now pushed upwards by the force of the regulator spring (d).

2. While pressing down gently, rotate the regulator 90° (e).

The regulator rim has disengaged from the upper step of the regulator guide (f) and the regulator can be removed (g).

---

\*. *This procedure only applies to .300 BLK models.*



Removal of .300 BLK Gas Regulator

#	Description
1	Regulator Guide
2	Gas Regulator

## Installation

1. Place gas regulator ② inside the barrel so that the regulator slot is perpendicular to the firing direction (a) and slightly push downwards (2) using the sight adjustment tool.

The regulator rim is now stopped by the lower step of regulator guide ①.

While keeping depressed, rotate the regulator 90° (c) until its slot becomes parallel to the firing direction.

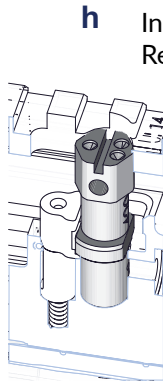
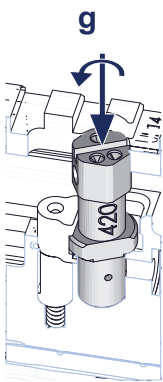
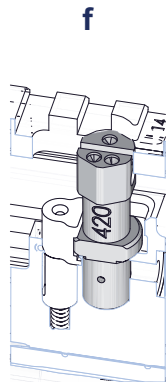
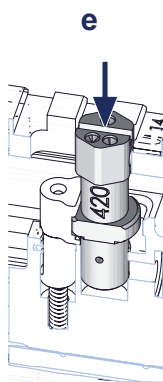
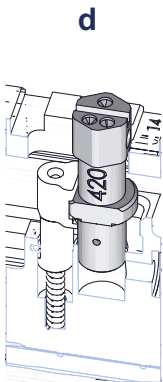
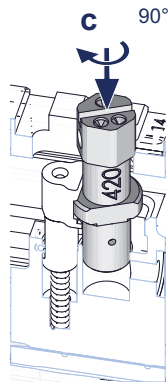
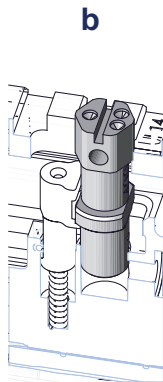
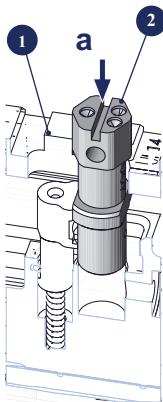
The regulator rim is now caught under the upper step of the regulator guide (d).

2. Push the regulator all the way downwards (e) until it is stopped by the lower step of the regulator guide (f)
3. Rotate the regulator 90° to the desired position (g).

In its *final position*<sup>\*</sup>, the regulator rim is caught on the lower step of the regulator guide (h).

---

\*. *Position 1 is for supersonic ammunition, position 2 is for subsonic ammunition (see para. 8.10).*



**h** Installation of .300 BLK Gas Regulator

#	Description
1	Regulator Guide
2	Gas Regulator

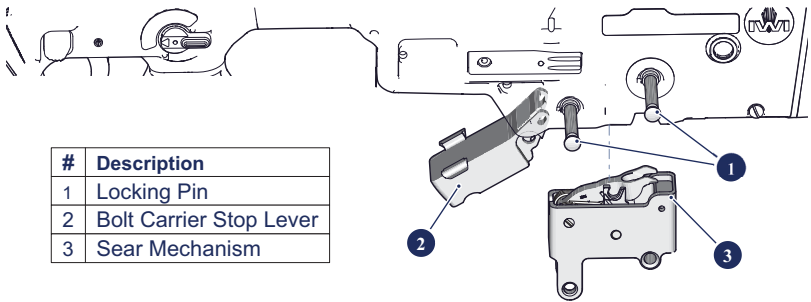
## 14.1.3 Sear Mechanism

Tools & Materials | None

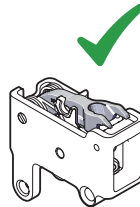
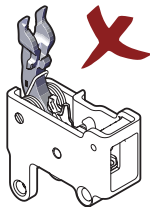
Initial Setup | Unloading and Safety Check of the rifle performed (see pp. 32-33).

### Removal

1. Press two locking pins **1** on the right side and pull them through the rifle to the left side until they stop. **DO NOT PULL THE LOCKING PINS OUT COMPLETELY.**
2. Open bolt carrier stop lever **2**.
3. Pull sear mechanism **3** out of the rifle.



**CAUTION!** Do not release the hammer when the sear mechanism is removed from the rifle. This will damage the housing.

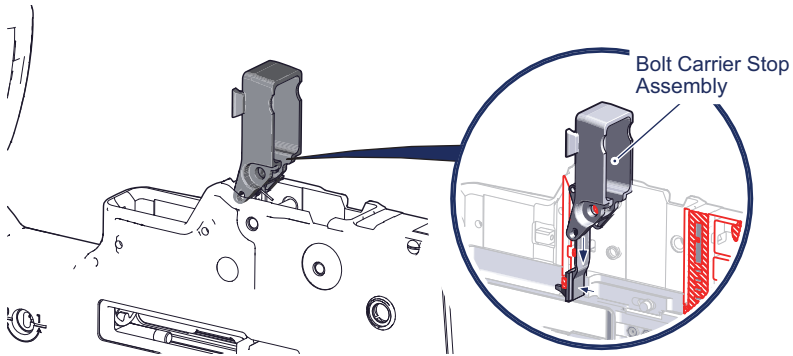




## NOTE

If you accidentally removed the entire bolt carrier stop assembly from the rifle, proceed as follows:

Holding the bolt carrier stop lever in the open position with your middle finger, slide the head of the bolt carrier stop under the step of the insert and then push upwards to let the bolt carrier stop snap into place.



## Installation



**CAUTION!** Be sure the hammer is cocked during the installation procedure.

1. Place sear mechanism **3** inside the rifle body.
2. Close bolt carrier stop lever **2**.
3. Push locking pins **1** all the way into the body to secure sear mechanism **3** and bolt carrier stop lever **2**.
4. Perform Complete Function Test (see pp. 34-35).

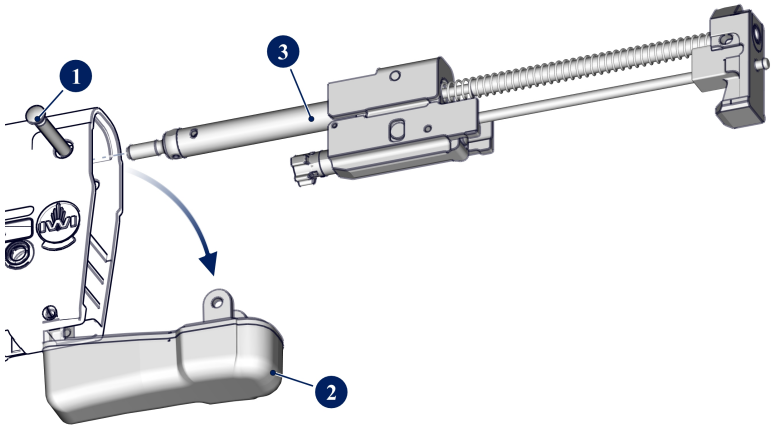
## 14.1.4 Recoil Mechanism

Tools & Materials | None

Initial Setup | Unloading and Safety Check of the rifle performed (see pp. 32-33).

### Removal

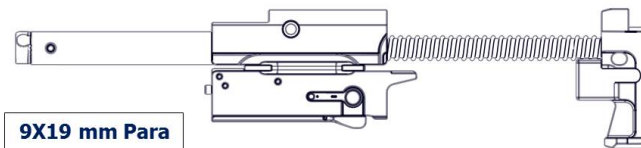
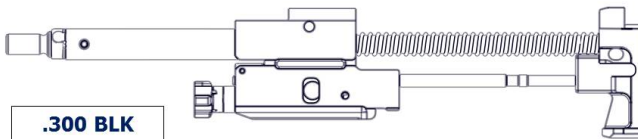
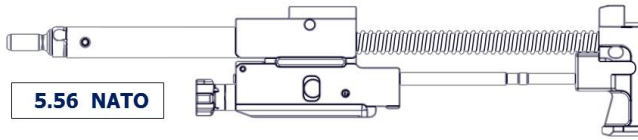
1. Push butt locking pin **1** on the right side and pull it through the rifle to the left side until it stops. **DO NOT PULL THE PIN OUT COMPLETELY.**
2. Open butt **2**.
3. Pull recoil mechanism **3** out of the rifle.



#	Description
1	Locking Pin
2	Butt
3	Recoil Mechanism

## Installation

1. Set recoil mechanism **3** into forward position:



2. Slide recoil mechanism **3** forward into the body through the rear.
3. Close butt **2**.
4. Press butt locking pin **1** to lock butt **2**.
5. Perform Complete Function Test (see pp. 34-35).

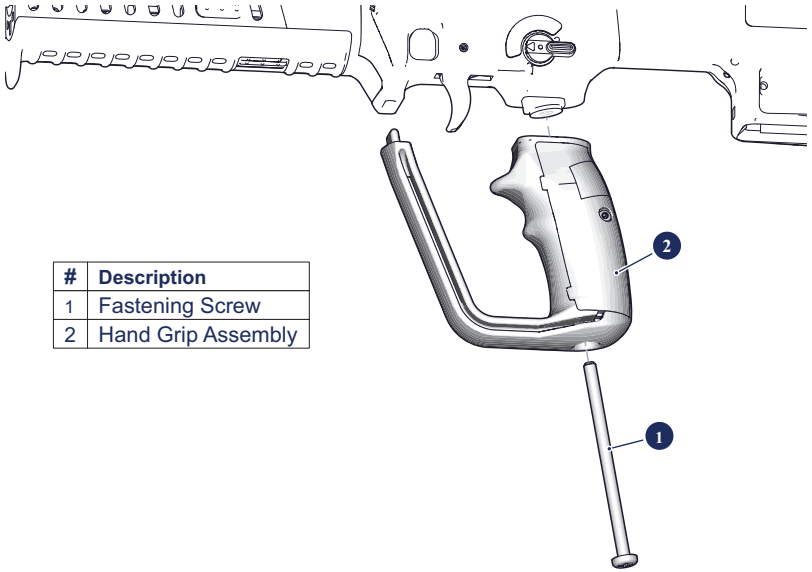
## 14.1.5 Hand Grip Assembly

Tools & Materials | Phillips screwdriver

Initial Setup | Recoil mechanism removed (see p. 64).

### Removal

1. Using a Phillips screwdriver, remove fastening screw **1**.
2. Pull and remove hand grip assembly **2**.



#	Description
1	Fastening Screw
2	Hand Grip Assembly

### Installation

Place hand grip assembly **2** on the rifle body and attach with fastening screw **1**. Use a Phillips screwdriver.

## 14.1.6 Foregrip Group

### Tools & Materials

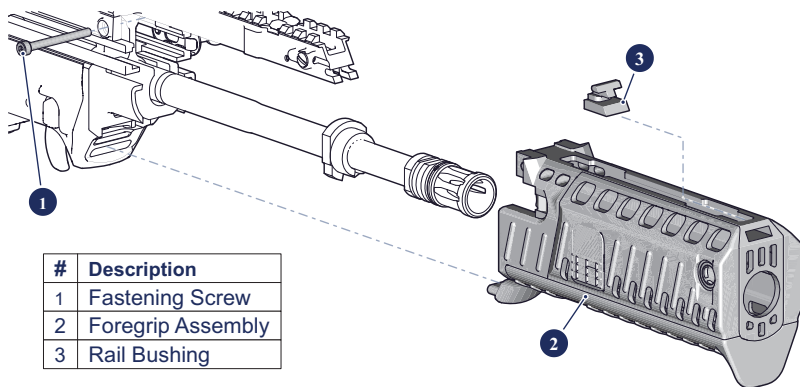
- 3 mm Allen wrench
- Loctite 242 or equivalent

### Initial Setup

Hand grip assembly removed (see p. 66).

## Removal

1. Using an Allen wrench, remove fastening screw **1**.
2. Slide foregrip group **2** forwards along the barrel and remove from the rifle.
3. Separate rail bushing **3** from foregrip assembly **2**.



## Installation

1. Insert rail bushing **3**, beveled side first, into foregrip assembly **2**.
2. Slide foregrip group **2** rearwards along the barrel into final position.
3. Apply Loctite 242 or equivalent on fastening screw **1** and attach foregrip group **2**. Use an Allen wrench.

## 14.1.7 Cocking Bar Assembly

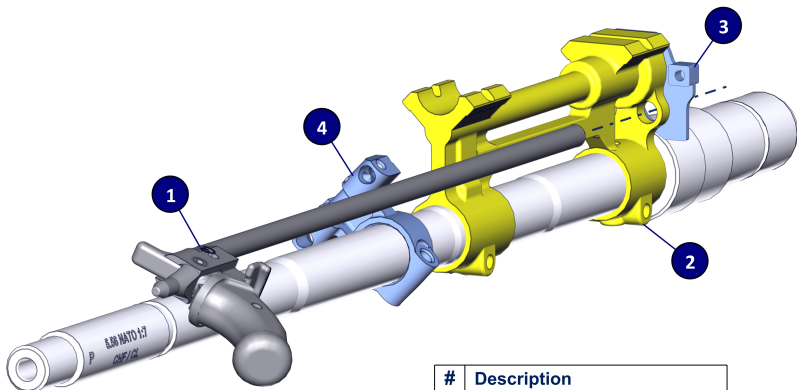
Tools & Materials | None

Initial Setup | Foregrip group removed (see p. 67).

### Removal

Rotate the cocking handle lever base ④ 45° counterclockwise.

Slide cocking bar assembly ① forward off the rifle body.



#	Description
1	Cocking Bar Assembly
2	Sight Mount Base Assembly
3	Dust Protection Plate
4	Cocking Handle Lever Base

### Installation



**CAUTION!** Verify the white mark on the barrel lock pivot is aligned with L (Locked), as shown in Detail A in the figure on p. 69.

Looking at the barrel, slide cocking bar assembly ① through the corresponding holes on sight mount base ②, dust protection plate ③, into the rifle body.

## 14.1.8 Barrel-Rail Group

### Tools & Materials

- 2 mm punch
- Barrel wrench\*

### Initial Setup

Cocking bar assembly removed (see p. 68).

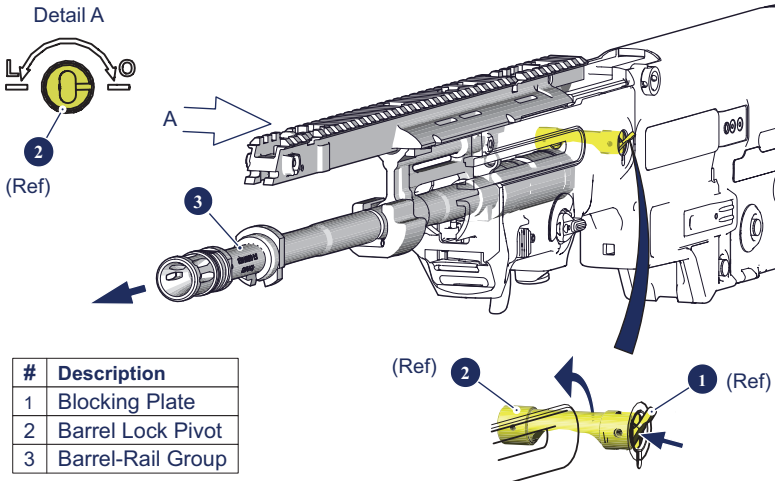
- \*. *Barrel wrench is included with the after-market bolt and/or caliber conversion kit.*

## Removal

1. Using a 2 mm punch, unlock blocking plate **1** of barrel lock pivot **2**.
2. While pressing barrel lock pivot **2** from the left, rotate 180° clockwise using the barrel wrench, so that the white mark on the barrel lock pivot **2** aligns with O (Open).

The barrel is now unlocked.

3. Slide barrel-rail group **3** out of the rifle.



## Installation



**CAUTION!** Before installing the barrel-rail group, verify the following:

- White mark on the barrel lock pivot is aligned with O (Open), as shown in Detail A in the figure on p. 69.
- Dust Protection Plate is installed according to the shooter configuration to accommodate the cocking bar, as shown in the figure on p.71.

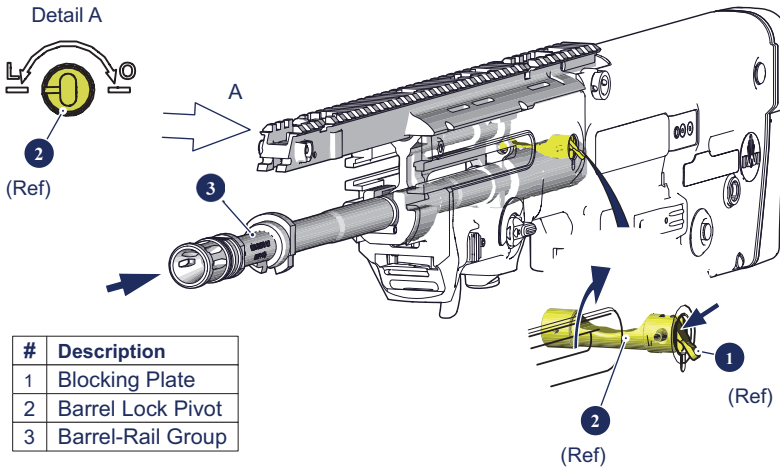
1. Slide barrel-rail group **3** into the rifle body.



**CAUTION!** Do not force the barrel lock wrench inside the barrel lock pivot. If significant resistance is encountered, the barrel may not be properly seated in the rifle body.

2. Using the barrel wrench, rotate barrel lock pivot **2** 180° counter-clockwise, so that the white mark aligns with L (Locked).

The barrel is now locked.





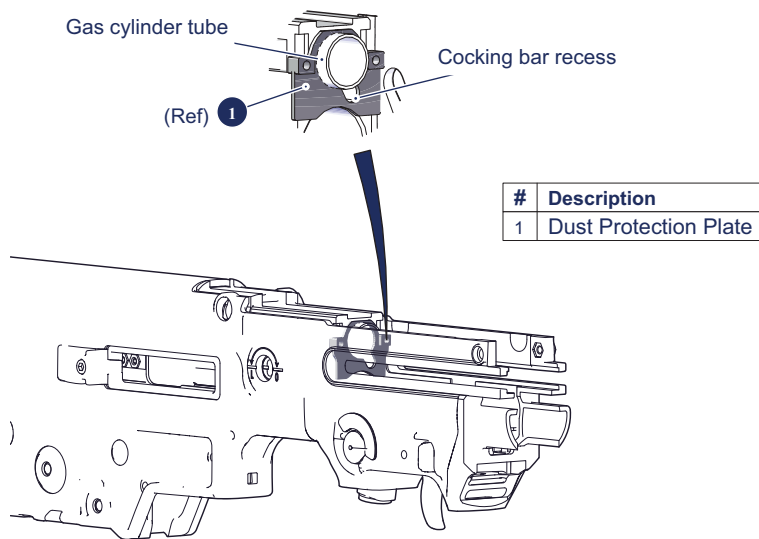
## 14.1.9 Dust Protection Plate

Tools & Materials | None

Initial Setup | Barrel-rail group removed (see p. 69).

### Removal

Separate dust protection plate **1** from the gas cylinder tube.



### Installation

Place dust protection plate **1** on the gas cylinder while making sure the cocking bar recess points to the side corresponding to the shooter configuration.

## 14.1.10 Magazine Adapter Assembly\*

### Tools & Materials

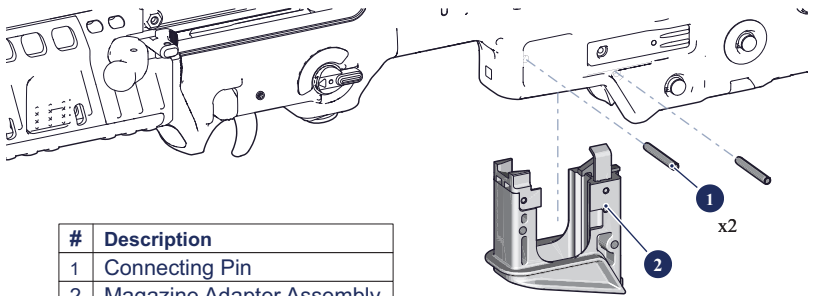
- 3 mm punch
- Plastic hammer

### Initial Setup

Recoil mechanism removed (see p. 64).

## Removal

1. Using a 3 mm punch and a hammer, remove two connecting pins **1** securing the adapter.
2. Remove adapter assembly **2** from the rifle body.



## Installation

1. Insert adapter assembly **2** through the magazine well into the rifle body.
2. Using a 3 mm punch and a hammer, secure adapter assembly **2** with two connecting pins **1**.

\*. Magazine adapter is only used with 9mm Para versions.

## 14.2 Disassembly/Assembly

This section provides disassembly/assembly procedures for the following:

<u>Para.</u>	<u>Rifle Assembly</u>
14.2.1	Recoil Mechanism
14.2.2	Barrel-Rail Group
14.2.3	5.56 NATO/9mm Para Barrel Group
14.2.4	Foregrip Assembly
14.2.5	Rail Cover Assembly (x3)
14.2.6	Body Assembly
14.2.7	Magazine Adapter Assembly

### 14.2.1 Recoil Mechanism

The next paragraphs provide disassembly/assembly procedures for the following types of recoil mechanism:

<u>Para</u>	<u>Type of Recoil Mechanism</u>
14.2.1.1	Gas-Operated Recoil mechanism
14.2.1.2	Blowback recoil mechanism

#### 14.2.1.1 Gas-Operated Recoil mechanism

<b>Tools &amp; Materials</b>	<ul style="list-style-type: none"><li>• 3 mm punch</li><li>• 5 mm punch</li><li>• Plastic hammer</li></ul>
------------------------------	------------------------------------------------------------------------------------------------------------

---

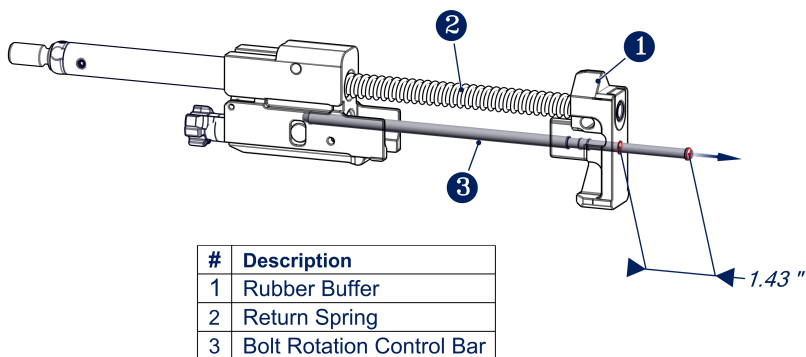
<b>Initial Setup</b>	Recoil mechanism removed (see p. 64).
----------------------	---------------------------------------

## Disassembly

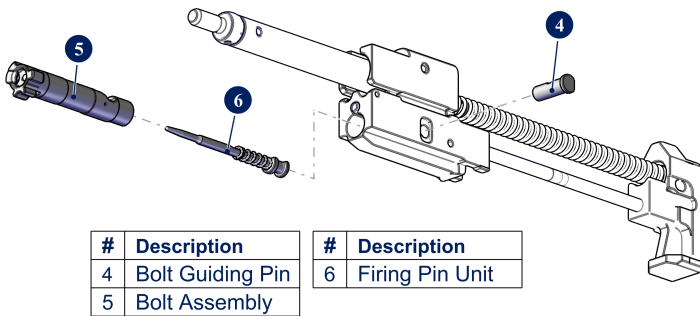
1. Set the recoil mechanism into rearward position:
  - in 5.56 NATO \ 300 BLK configuration:

Pull bolt rotation control bar **3** to the rear until it stops. The bar at this time will be flush with the buffer.

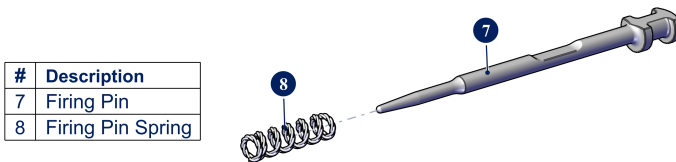
Continue to pull the bar and you will feel minor resistance on the bar until it snaps into the removal notch in the buffer. The rear of the bar will protrude 1.43 inch through the back of the buffer.



- Push out the bolt guiding pin **4**.
- Extract bolt assembly **5** and firing pin unit **6** from the bolt carrier.

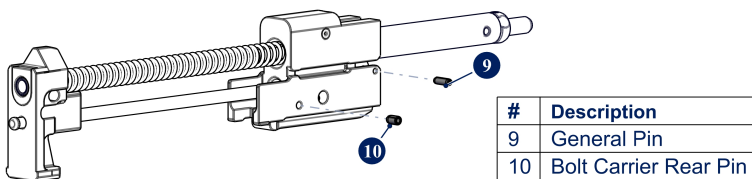


- Separate firing pin spring **8** from firing pin **7**.



**NOTE** Perform step 5 and step 6 below to convert the gas-operated recoil mechanism to opposite hand ejection.

- Using a 3 mm punch and a hammer, remove the general pin **9**.
- Using a 3 mm punch and a hammer, remove the bolt carrier rear pin **10**.



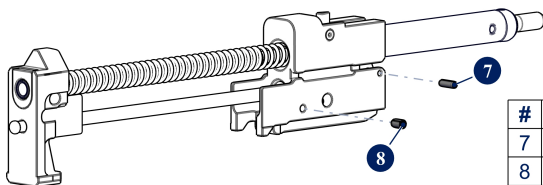
## Assembly



**WARNING!** After the installation of a new bolt, your TAVOR® X95™ must be checked for the correct headspace with proper GO and NO-GO headspace gauges. Contact a competent gunsmith to perform this service for you or contact IWI US, Inc. for return of your firearm to IWI US, Inc. for performance of this service. DO NOT fire your TAVOR® X95™ until this headspace check has been completed.

**NOTE** Perform step 1 and step 2 below to convert the gas-operated recoil mechanism to opposite hand ejection.

1. Using a 3 mm punch and a hammer, install the general pin **1** on the corresponding side of assembly.
2. Using a 3 mm punch and a hammer, install the bolt carrier rear pin **2** on the corresponding side of assembly.

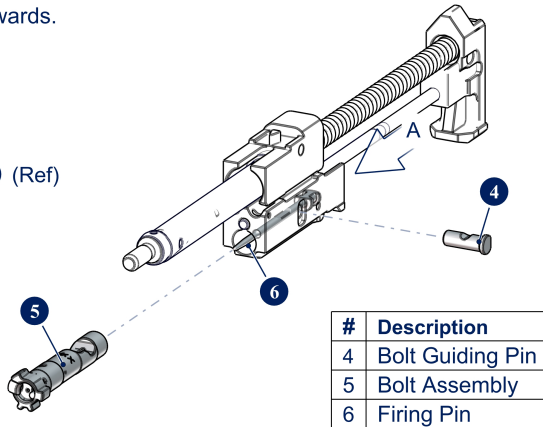
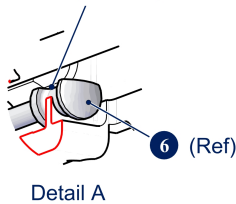


#	Description
7	General Pin
8	Bolt Carrier Rear Pin

3. Move the return spring subassembly **2** to its rearmost position according to step of the disassembly procedure (see p. 74).
4. Put firing pin spring **7** on firing pin **8** and insert the resulting firing pin unit **6** into the bolt carrier.
5. Install bolt assembly **5** inside the bolt carrier.
6. Install bolt guiding pin **4** using thumb pressure only.

**NOTE** When inserting the firing pin, the shelf at the rear of the bolt carrier, which is a half-moon shape, should be centered between the two flanges on the firing pin. Be sure the flat edge of the firing pin is facing the top of the carrier, as shown in Detail A below).

Flat surface points upwards.



**NOTE** With the carrier assembly pointed "piston down", the firing pin should not fall through the bolt carrier.

## 14.2.1.2 Blowback recoil mechanism

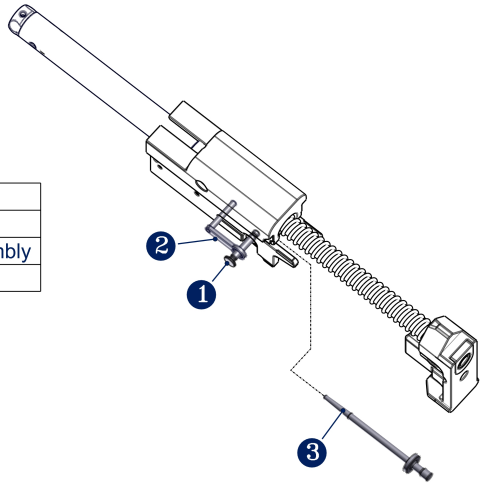
- |                              |                                                                                                                                       |
|------------------------------|---------------------------------------------------------------------------------------------------------------------------------------|
| <b>Tools &amp; Materials</b> | <ul style="list-style-type: none"><li>• 2 mm punch</li><li>• 3 mm punch</li><li>• Flat screwdriver</li><li>• Plastic hammer</li></ul> |
|------------------------------|---------------------------------------------------------------------------------------------------------------------------------------|

<b>Initial Setup</b>	Recoil mechanism removed (see p. 64).
----------------------	---------------------------------------

### Disassembly

1. Using a 3 mm punch and a hammer, push firing pin locking pin **1** (connected) on the right side of the assembly and move securing pin assembly **2** to the open position.
2. Remove firing pin **3**.

#	Description
1	Locking Pin
2	Securing Pin Assembly
3	Firing Pin

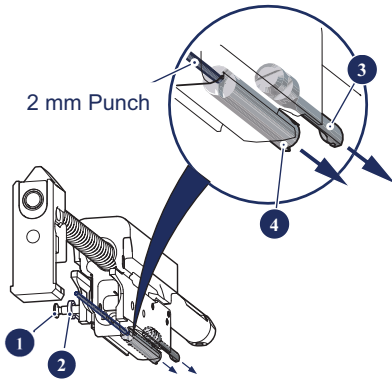


**NOTE** Perform step 3 and step 4 below to convert the blowback recoil mechanism to opposite hand ejection.

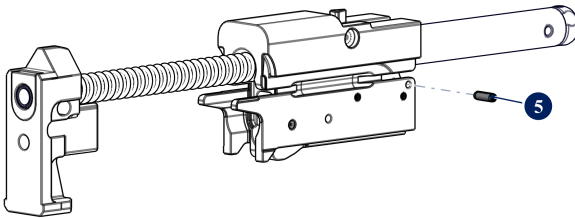


- Using a 2 mm punch, push out the extractor **3** and extractor hole plug **4** from the front of the assembly.

#	Description
1	Locking Pin
2	Securing Pin Assembly
3	Extractor
4	Extractor Hole Plug



- Using a 3 mm punch and a hammer, remove the general pin **5**.



#	Description
5	General Pin

## Assembly

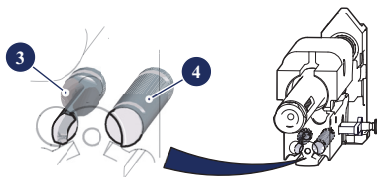
---

**NOTE** Perform step 1 and step 2 below to convert the blowback recoil mechanism to opposite hand ejection.

---

1. Using a 3 mm punch and a hammer, install the general pin ⑤ on the required side of the assembly.
2. Install extractor ③ and extractor hole plug ④ on the required sides in the assembly.
3. From the rear of the assembly, adjust the position of extractor ③ and extractor hole plug ④. Use a flat screwdriver. **DO NOT FORCE THE PINS INTO PLACE.**

#	Description
3	Extractor
4	Extractor Hole Plug



4. Insert the firing pin ③ into the breech block.
5. Push the firing pin locking pin ① all the way in and close the securing pin assembly ② inside the breech block.

## 14.2.2 Barrel-Rail Group

### Tools & Materials

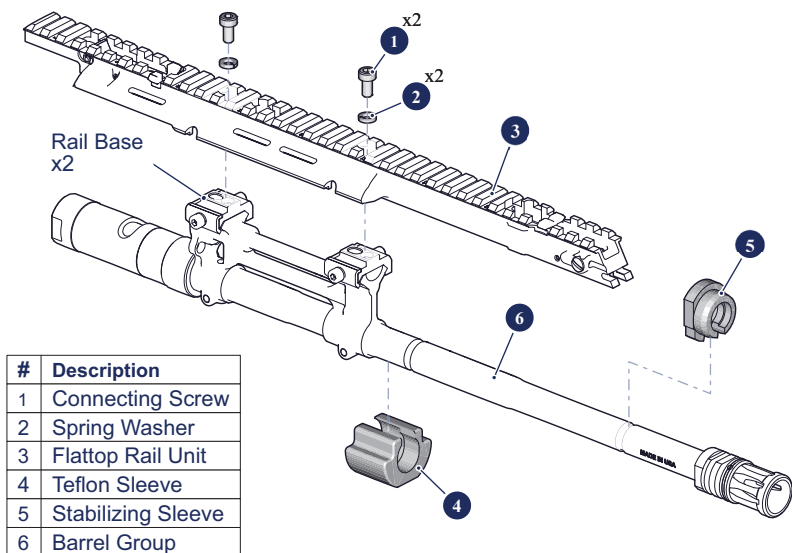
- 4 mm Allen wrench
- Loctite 242 or equivalent

### Initial Setup

Barrel-rail group removed (see p. 69).

## Disassembly

1. Using a 4 mm Allen wrench, remove two connecting screws **1** and two spring washers **2**.
2. Separate flattop rail unit **3** from the barrel group **6**. **MAKE SURE THE TWO RAIL BASES REMAIN CONNECTED TO THE BARREL\***.
3. Carefully pull and remove Teflon sleeve **4**.
4. Carefully pull and remove stabilizing sleeve **5**.



\*. In .300 BLK models, the flattop rail unit attaches directly to the barrel group, without the use of the rail bases.

## Assembly

1. Place stabilizing sleeve ⑤ on the groove of the barrel.
2. Place Teflon sleeve ④ on its place on the barrel.
3. Place flattop rail unit ③ on the rail bases.
4. Apply a thin coat of Loctite 242 or equivalent to two connecting screws ①.
5. Place two spring washers ② and two connecting screws ① on the rail, tighten using a 4 mm Allen wrench.

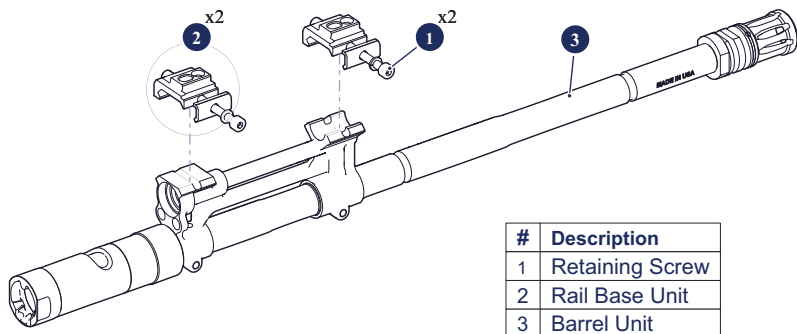
## 14.2.3 5.56 NATO/9mm Para Barrel Group\*

Tools & Materials | 3 mm Allen wrench

Initial Setup | Barrel-rail group disassembled (see p. 81).

### Disassembly

1. Using a 3 mm Allen wrench, release two adapter retaining screws **1**. **DO NOT REMOVE THE SCREWS COMPLETELY.**
2. Separate two rail base units **2** from barrel unit **3**.



### Assembly

1. Install two rail base units **2** on barrel unit **3**.
2. Tighten adapter retaining screws **1** using a 3 mm Allen wrench.

\*. This procedure does not apply to .300 BLK barrels.

## 14.2.4 Foregrip Assembly

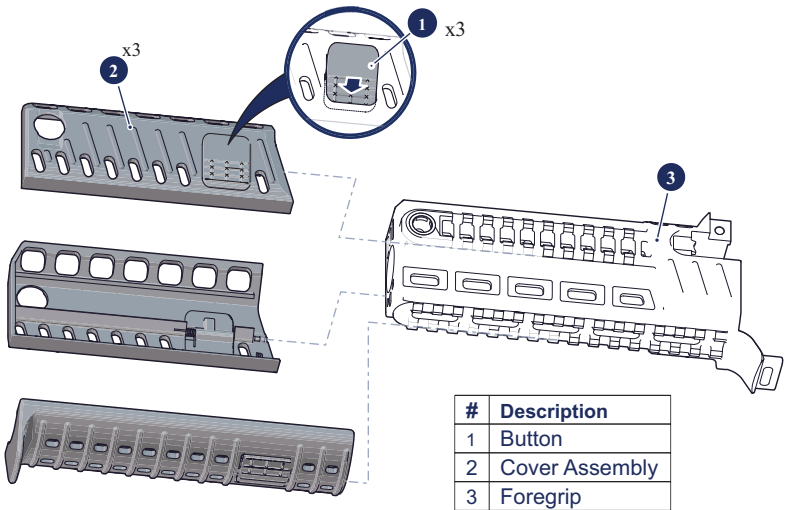
Tools & Materials | None

Initial Setup | Foregrip assembly removed (see p. 67)

**NOTE** Each of the three rail cover assemblies fits only one rail on the foregrip.

### Disassembly

Slide each cover assembly **2** off foregrip **3** while pressing and holding the corresponding button **1**.



### Assembly

Fit each cover assembly **2** to the end of the matching rail and slide to the rear, while pressing the corresponding button **1**.

## 14.2.5 Rail Cover Assembly (x3)

### Tools & Materials

- Protective goggles
- Small flat screwdriver
- Plastic hammer
- Sharp nose pliers
- 3 mm punch

### Initial Setup

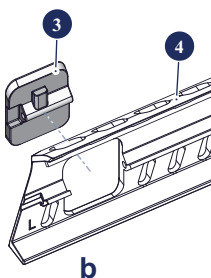
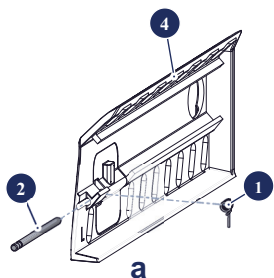
Cover assembly removed (see p. 84)

## Disassembly



**WARNING!** Use protective goggles while removing spring ①. The spring may shoot off and injure your eyes.

1. Place your thumb over spring ① to prevent it from being ejected, and using a small flat screwdriver, slide out pivot ② until it protrudes enough to be removed using sharp nose pliers.
2. Separate button ③ from cover ④.



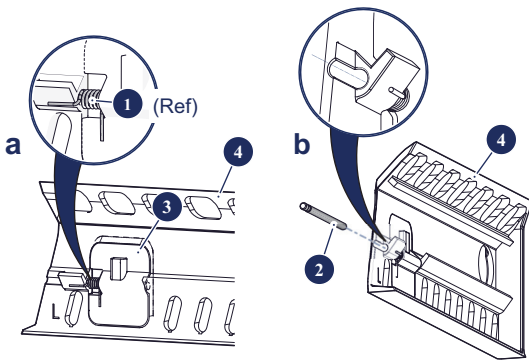
#	Description
1	Spring
2	Pivot
3	Button
4	Cover

## Assembly



**WARNING!** Use protective goggles while installing spring **1**. The spring may shoot off and injure your eyes.

1. Place button **3** in its place in cover **4** together with spring **1**.
2. Using a plastic hammer, attach button **3** and spring **1** to cover **4** with pivot **2**.
3. Using a 3 mm punch, push pivot **2** to its final position.



#	Description
1	Spring
2	Pivot
3	Button
4	Cover



## 14.2.6 Body Assembly

This section provides removal/installation procedures for the following body components and parts:

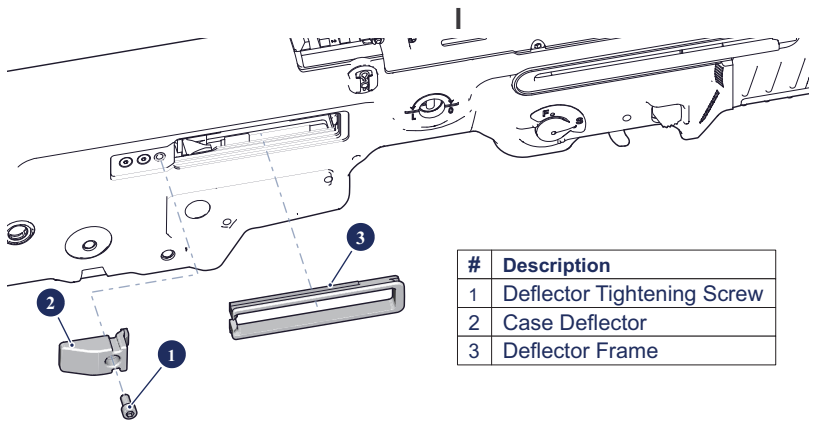
<u>Para.</u>	<u>Part/Component</u>
14.2.6.1	Deflector & Deflector Frame
14.2.6.2	Ejection Port Cover & Cover Base
14.2.6.3	Swivel Sleeve and Swivel Lock
14.2.6.4	Safety Lever and Safety Pivot Cover

## 14.2.6.1 Deflector & Deflector Frame\*

Caliber	5.56 NATO/ 9mm Para	.300 BLK
Tools & Materials	<ul style="list-style-type: none"> <li>• 9/64" Allen wrench</li> <li>• Loctite 242 or equivalent</li> </ul>	<ul style="list-style-type: none"> <li>• 3/32" Allen wrench</li> <li>• Loctite 242 or equivalent</li> </ul>
Initial Setup	Recoil mechanism removed (see p. 64).	

### Removal

Using an Allen wrench, unscrew deflector tightening screw **1** and remove deflector **2** deflector frame **3**.



#	Description
1	Deflector Tightening Screw
2	Case Deflector
3	Deflector Frame

### Installation

1. Place deflector **2** and deflector frame **3** on the ejection port shield on the corresponding side of the rifle body.
2. Apply a thin coat of Loctite 242 or equivalent to deflector screw **1** and tighten using an Allen wrench.

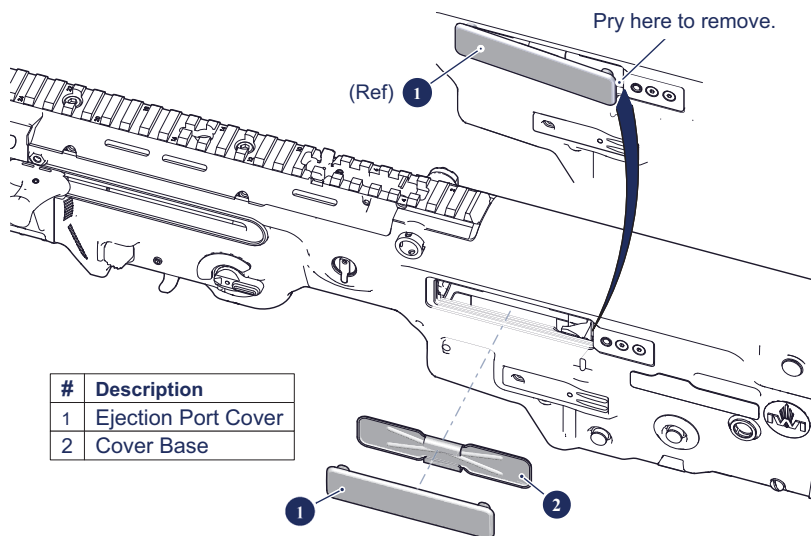
\*. Deflector frame is only used with gas-operated models.

## 14.2.6.2 Ejection Port Cover & Cover Base

Tools & Materials	Flat screwdriver
Initial Setup	Recoil mechanism removed (see p. 64).

### Removal

1. Gently pry up the rear edge of ejection port cover **1** with a flat screwdriver, slide rearward off the rifle body.
2. Remove cover base **2**.



### Installation

1. Place cover base **2** on the corresponding side of the rifle body.
2. Slide ejection port cover **1** into place.

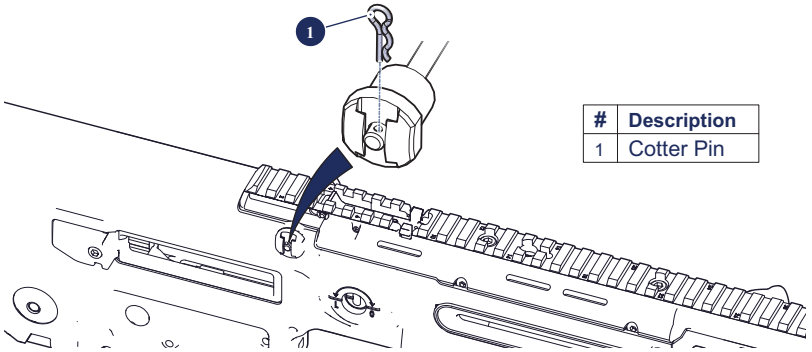
## 14.2.6.3 Swivel Sleeve and Swivel Lock

Tools & Materials | 2 mm punch

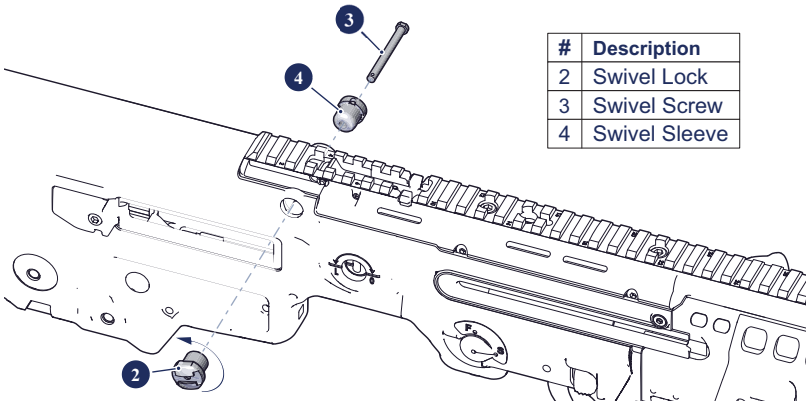
Initial Setup | Recoil mechanism removed (see p. 64).

### Removal

1. Insert a 2 mm punch in the eye of cotter pin **1** and pull the pin out of its recess in the swivel lock.



2. Unscrew swivel lock **2** by rotating counter-clockwise.
3. Push out locking screw **3** and swivel sleeve **4** from the rifle body.



## Installation

1. Insert swivel **3** sleeve **4** and locking screw **3** into place on the corresponding side of the rifle body, attach with swivel lock **2** on the opposite side.
2. Insert cotter pin **1** into swivel lock **2**.

### 14.2.6.4 Safety Lever and Safety Pivot Cover

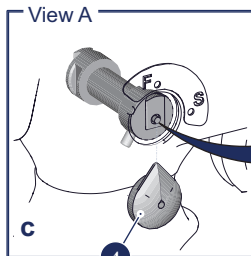
Tools & Materials	2 mm punch
Initial Setup	Recoil mechanism removed (see p. 64).

## Removal

1. Move safety lever **1** to the F (FIRE) position.
2. Depress safety left plunger **2** with a 2 mm punch and slide safety lever **1** off safety assembly **5**.
3. On the opposite side, depress safety right plunger **3** with a 2 mm punch and slide safety pivot cover **4** off safety assembly **5** (see View A of the figure below).

## Installation

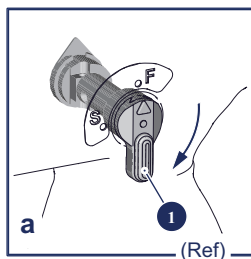
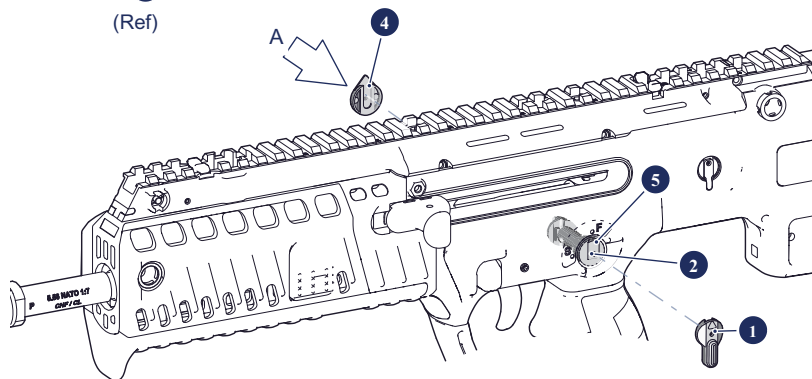
1. On the corresponding side of the rifle body, depress safety right plunger **3** with a 2 mm punch and install safety pivot cover **4** on safety assembly **5**.
2. On the opposite side, depress safety left plunger **2** with a 2 mm punch and install safety lever **1** on safety assembly **5**.



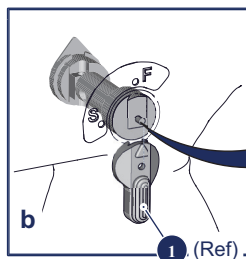
(Ref)

#	Description
1	Safety Lever
2	Left Plunger
3	Right Plunger
4	Safety Pivot Cover
5	Safety Assembly

(Ref)



(Ref)



(Ref)

## 14.2.7 Magazine Adapter Assembly\*

### Tools & Materials

- 3 mm punch
- Plastic hammer

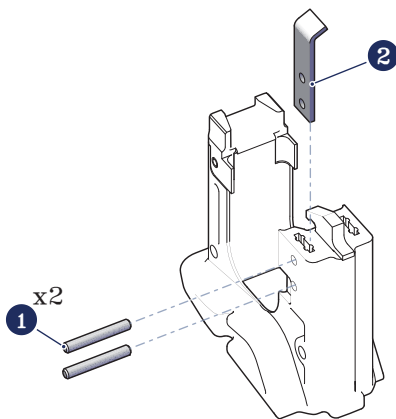
### Initial Setup

Magazine adapter assembly removed (see p. 72).

### Disassembly

1. Use the 3 mm punch to knock out two fastening pins ❶.
2. Remove ejector ❷.

#	Description
1	Fastening Pin
2	Ejector



### Assembly

1. Insert ejector ❷ in the corresponding side of assembly.
2. Using a hammer and punch, reinsert the pins ❶.

\*. Magazine adapter is only used with 9mm Para versions.



**STOP!** You should not disassemble your TAVOR® X95™ rifle any further, unless you are a factory-trained and certified armorer.



**WARNING!** Further disassembly by individuals who are not factory-trained and certified as TAVOR armorers can result in damage to or destruction of the rifle, voiding of the warranty, and possibly the creation of **UNSAFE CONDITIONS THAT COULD RESULT IN DEATH OR SERIOUS INJURY.**

---

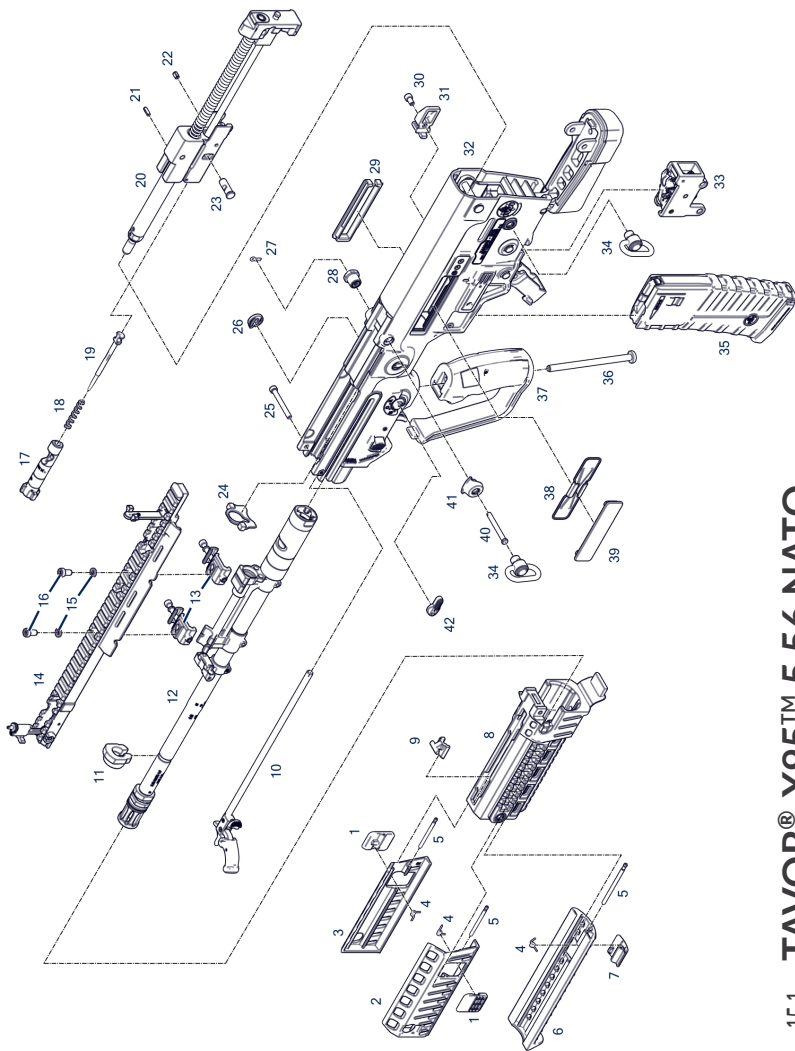
## 15 Exploded View Diagrams

---

This section provides the exploded view diagrams for the following models of the TAVOR® X95™:

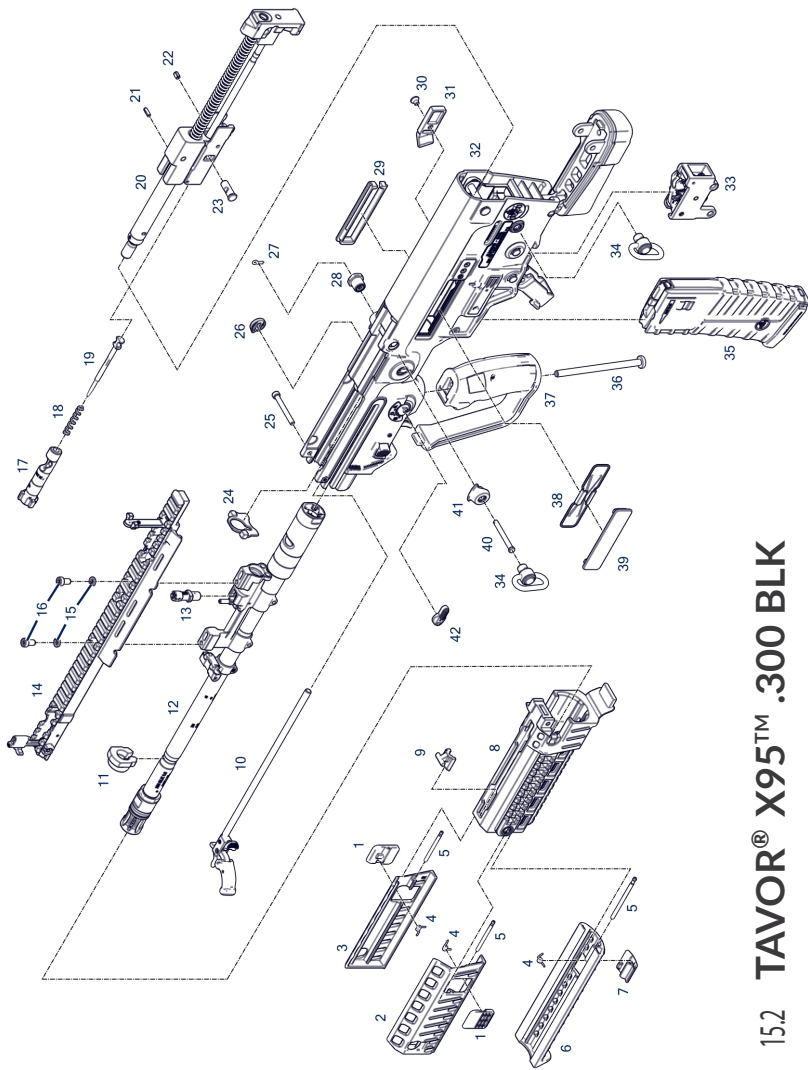
<u>Para.</u>	<u>Rifle Assembly</u>
15.1	TAVOR® X95™ 5.56 NATO
15.2	TAVOR® X95™ .300 BLK
15.3	TAVOR® X95™ 9mm Para





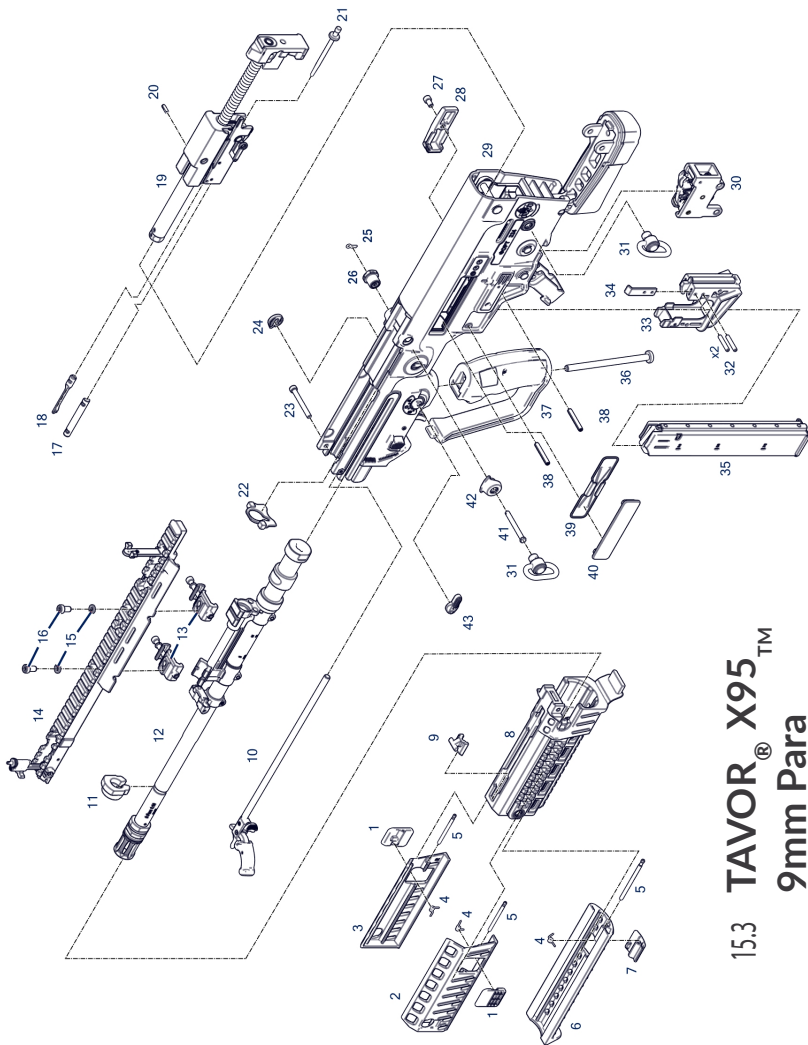
15.1 TAVOR® X95™ 5.56 NATO

#	Description	Qty
1	Side Cover Button	2
2	Left Cover	1
3	Right Cover	1
4	Cover Spring	3
5	Cover Pivot	3
6	Bottom Cover	1
7	Bottom Cover Button	1
8	Foregrip	1
9	Rail Bushing	1
10	Cocking Bar Assembly	1
11	Stabilizing Sleeve	1
12	Barrel Group	1
13	Rail Base Unit	2
14	Flattop Rail Unit	1
15	Spring Washer	2
16	Connecting Screw	2
17	Bolt Assembly	1
18	Firing Pin Spring	1
19	Firing Pin	1
20	Bolt Carrier Unit	1
21	General Pin	1
22	Bolt Carrier Rear Pin	1
23	Bolt Guiding Pin	1
24	Dust Protection Plate	1
25	Fastening Screw	1
26	Safety Pivot Cover	1
27	Cutter Pin	1
28	Swivel Lock	1
29	Deflector Frame	1
30	Deflector Screw	1
31	Deflector	1
32	Body Assembly	1
33	Sear Mechanism Assembly	1
34	Swivel	2
35	Magazine Assembly	1
36	Fastening Screw	1
37	Hand Grip Assembly	1
38	Cover Base	1
39	Ejection Port Cover	1
40	Swivel Screw	1
41	Swivel Sleeve	1
42	Safety Lever	1



152 TAVOR® X95™ .300 BLK

#	Description	Qty
1	Side Cover Button	2
2	Left Cover	1
3	Right Cover	1
4	Cover Spring	3
5	Cover Pivot	3
6	Bottom Cover	1
7	Bottom Cover Button	1
8	Foregrip	1
9	Rail Bushing	1
10	Cocking Bar Assembly	1
11	Stabilizing Sleeve	1
12	Barrel Group	1
13	Gas Regulator	1
14	Flattop Rail Unit	1
15	Spring Washer	2
16	Connecting Screw	2
17	Bolt Assembly	1
18	Firing Pin Spring	1
19	Firing Pin	1
20	Bolt Carrier Unit	1
21	General Pin	1
22	Bolt Carrier Rear Pin	1
23	Bolt Guiding Pin	1
24	Dust Protection Plate	1
25	Fastening Screw	1
26	Safety Pivot Cover	1
27	Cutter Pin	1
28	Swivel Lock	1
29	Deflector Frame	1
30	Deflector Screw	1
31	Case Deflector	1
32	Body Assembly	1
33	Sear Mechanism Assembly	1
34	Swivel	2
35	Magazine Assembly	1
36	Fastening Screw	1
37	Hand Grip Assembly	1
38	Cover Base	1
39	Ejection Port Cover	1
40	Swivel Screw	1
41	Swivel Sleeve	1
42	Safety Lever	1



15.3 TAVOR® X95™  
9mm Para

#	Description	Qty
1	Slide Cover Button	2
2	Left Cover	1
3	Right Cover	1
4	Cover Spring	3
5	Cover Pivot	3
6	Bottom Cover	1
7	Bottom Cover Button	1
8	Foregrip	1
9	Rail Bushing	1
10	Cocking Bar Assembly	1
11	Stabilizing Sleeve	1
12	Barrel Unit	1
13	Rail Base Unit	2
14	Flattop Rail Unit	1
15	Spring Washer	2
16	Connecting Screw	2
17	Extractor Hole Plug	1
18	Extractor	1
19	Breach Block Unit	1
20	General Pin	1
21	Firing Pin	1
22	Dust Protection Plate	1
23	Fastening Screw	1
24	Safety Pivot Cover	1
25	Cotter Pin	1
26	Swivel Lock	1
27	Deflector Screw	1
28	Case Deflector Assembly	1
29	Body Assembly	1
30	Sear Mechanism Assembly	1
31	Swivel	2
32	Fastening Pin	2
33	Magazine Adapter Unit	1
34	Ejector	1
35	Magazine Assembly	1
36	Fastening Screw	1
37	Hand Grip Assembly	1
38	Connecting Pin	2
39	Cover Base	1
40	Ejection Port Cover	1
41	Swivel Screw	1
42	Swivel Sleeve	1
43	Safety Lever	1

---

## 16 Limited Product Warranty

---

- 1 This Warranty is given by "IWI US, Inc." solely to the original purchaser (the "Purchaser") of IWI US, Inc.'s TAVOR® X95™ SEMI-AUTOMATIC RIFLE (the "Product") for a period of 5 years commencing from the date of Product retail purchase (the "Warranty Period").
- 2 Subject to the limitations and exclusions contained below, IWI US, Inc. warrants the Product to be free from defects in design, materials and workmanship. Consequently, should any failure to conform to this Warranty be discovered and brought to the attention of IWI US, Inc. during the Warranty Period, and be substantiated by examination at IWI US, Inc.'s facility or by duly authorized and certified field personnel on IWI US, Inc.'s behalf, IWI US, Inc., at its sole option and free of charge, shall either repair, replace or refund the purchase price of any non-conforming Product.
- 3 This Warranty shall only apply provided that:
  - 3.1 The Product has been transported and stored, handled, maintained, operated and used properly; all in accordance with IWI US, Inc.'s instructions found in this manual.
  - 3.2 No changes, repairs or services were made to the Product by any party other than IWI US, Inc. or an authorized representative of IWI US, Inc.
  - 3.3 The Product was not damaged as a result of improper operation, misuse (whether intentional or otherwise), abuse, negligence, accident or flood, fire, earthquake or other external causes.
  - 3.4 Only appropriate, non-defective new commercial ammunition was fired from the Product.
  - 3.5 The defective Product and/or defective parts shall have been returned by the Purchaser to IWI US, Inc. immediately upon request in conformance with IWI US, Inc.'s return procedures.
- 4 This Warranty does not apply to:
  - 4.1 Maintenance, repair or replacement of parts due to normal wear and tear.
  - 4.2 Expendable items such as batteries (including battery leaks), bulbs, cleaning supplies and other consumables.
  - 4.3 Firing the Product with an obstruction in the barrel.

- 4.4 Any cosmetic damage that does not impede form, fit, and function of the Product.
- 4.5 Products that show evidence of tampering.
- 4.6 IWI US, Inc. does not warrant that the operation of the product will be uninterrupted, or error-free, or free of stoppages or malfunctions.
- 5 In the event a Product returned to IWI US, Inc. is not defective in design, materials or workmanship or not returned within the Warranty Period, a test and evaluation charge, as determined by IWI US, Inc. will apply.
- 6 No implied warranty is made to any accessory items attached or appurtenant to the Product.
- 7 IWI US, Inc. will be the sole determining evaluator and authority for adjudicating Warranty claims hereunder.
- 8 THE REPAIR, REPLACEMENT, OR REFUND AS PROVIDED HEREINABOVE IS THE SOLE AND EXCLUSIVE REMEDY OF THE PURCHASER, AND IS PROVIDED IN LIEU OF ALL OTHER WARRANTIES, EXPRESS OF IMPLIED, INCLUDING, WITHOUT LIMITATION, THE IMPLIED WARRANTIES OF MERCHANTABILITY, FITNESS FOR A PARTICULAR PURPOSE, NON-INFRINGEMENT, COURSE OF DEALING AND USAGE OF TRADE. IN NO EVENT SHALL IWI US, INC. BE LIABLE TO PURCHASER, PURCHASER'S CUSTOMERS OR ANY THIRD PARTY, WHETHER IN CONTRACT OR TORT (INCLUDING NEGLIGENCE AND STRICT LIABILITY) FOR DAMAGES IN EXCESS OF THE PURCHASE PRICE OF THE PRODUCT, OR FOR ANY INDIRECT, INCIDENTAL, SPECIAL, PUNITIVE, OR CONSEQUENTIAL DAMAGES OR EXPENSES OF ANY KIND, OR PERSONAL INJURIES OR DAMAGE TO PROPERTY OF ANY KIND OR CHARACTER, OR LOSS OF REVENUE OR PROFITS, LOSS OF USE, LOSS OF BUSINESS, LOSS OF INFORMATION OR DATA OR OTHER FINANCIAL LOSS ARISING OUT OF OR IN CONNECTION WITH THE ABILITY OR INABILITY TO USE THE PRODUCT TO THE FULL EXTENT THESE DAMAGES MAY BE DISCLAIMED BY APPLICABLE LAW.
- 9 Some states do not allow the exclusion of consequential or incidental damages, so the above limitations may not apply to you.

---

## 17 Repair Services

---

If you need assistance with your firearm, please call  
Tel: +1 (717) 695-2081, Monday through Friday, 9:00AM to 4:30PM  
US Eastern time and ask to speak to Customer Service. If it is  
determined that shipment of your firearm to IWI US, or an authorized  
IWI US, Inc. Service Center is warranted, please prepare and ship as  
follows:

1. Request a Return Authorization number (RA#) from the IWI US, Inc. Customer Service Representative. Please note that IWI US, Inc. will refuse return/repair shipments without a RA#.
2. Record the serial number of your firearm before packing and shipping.
3. Check to make sure your firearm is unloaded.
4. Remove all accessories from the firearm to prevent loss or damage. IWI US, Inc. will not be responsible for any loss or damage to non-IWI US, Inc. firearms or accessories.
5. Pack your firearm in the original box. If the original box is not available, pack your firearm in a box that will protect it from any handling and/or shipping damage. Be sure that there are no markings and/or words on the outside of the box that indicate there is a firearm inside the box. This will help to deter theft of the firearm while in-transit to IWI US, Inc.
6. Enclose a letter with the firearm detailing the model name and serial number of your firearm along with a full description of the problem. Be sure to include your full name and street address city and state, including zip code, daytime telephone number and email address.

7. Ship your firearm by UPS, FedEx.  
IWI US, Inc. is not responsible for damage or loss during shipment, so you may elect to purchase insurance from the carrier. Ship to the following address:

IWI US, Inc.  
Attn. Service Department  
RA# \_\_\_\_\_  
1441 Stoneridge Drive  
Middletown, PA 17057



**WARNING!**

**DO NOT SEND LIVE AMMUNITION OR SPENT (FIRED) SHELLS/CARTRIDGES IN YOUR FIREARM OR IN THE SAME BOX WITH YOUR FIREARM. THIS IS A VIOLATION OF FEDERAL LAW. IF YOU FEEL YOU MUST SEND SPENT (FIRED) SHELLS/CARTRIDGES, PLEASE SHIP THEM IN A SEPARATE PACKAGE AND INCLUDE A COPY OF THE LETTER THAT YOU PACKED WITH YOUR FIREARM.**





Copyright © 2020 by IWI US, Inc.

This document is the property of IWI US, Inc. ("IWI US, Inc.") and contains proprietary and confidential information. IWI US, Inc. reserves the whole rights to this document and to the data/invention/content herein described. This document may only be used for the specific purpose and under the terms of the license granted by IWI US, Inc. to the recipient. Acceptance of this document will be construed as acceptance of the foregoing conditions. Any unauthorized use of the document may violate copyright, trademark, privacy and publicity laws and other civil and criminal statutes and contractual rights.

In the interest of product improvement, its design and performance characteristics may be changed at any time without prior notice.

# Cardinal Rules of Firearms Safety

- Treat all guns as if they were loaded.
- Point the muzzle in a safe direction at all times. (A “safe direction” is one in which no one would be injured if the gun were to discharge.)
- Keep your finger off the trigger and outside the trigger guard until you are aimed at a safe target and intend to fire.
- Be sure of your target and what's around and beyond it.
- When you pick up a gun that, even for an instant, has been out of your direct, continuous control, while following the above rules, open the gun's action (recoil mechanism) and determine whether or not the gun is loaded.
- All guns left unattended, even briefly, must be made inoperable or inaccessible to children and other unauthorized users.

---

IWI US, Inc. • 1441 Stoneridge Drive • Middletown, PA 17057  
• Tel: +1 (717) 695-2081 • Fax: +1 (717) 412-0873 • info@iwi.us

[WWW.IWI.US](http://WWW.IWI.US)

