

# UZI<sup>®</sup> PRO

## SEMI-AUTO PISTOL

**MODELS: UPP9S, UPP9SB**



## OPERATOR MANUAL



Read the instructions and warnings in this manual carefully and understand them before using this firearm. If there is anything you do not understand, seek advice from your retailer or someone qualified in the safe handling of firearms, or contact IWI US, Inc. at +1 (717) 695-2081 or [service@iwi.us](mailto:service@iwi.us).

This Operator Manual should always accompany this firearm and be transferred with it upon change in ownership, or when the firearm is loaned or transferred to another person.



*Congratulations on your purchase of the  
UZI® PRO Semi-Auto Pistol.*

Your packaging includes:

- A.** IWI Magazines (2)
- B.** Literature Packet
  1. This Manual
  2. NSSF Firearms Safety Depends on You Pamphlet
  3. NSSF Firearms Responsibility in the Home Pamphlet
  4. IWI US, Inc. Limited Product Warranty Card
  5. National Rifle Association (NRA) Application
  6. IWI Decal
- C.** Gun Cable Lock
- D.** Protective VCI Bag

If you notice that anything is missing from the above listing, please contact IWI US customer service at either [info@iwi.us](mailto:info@iwi.us) or call +1 (717) 695-2081.

We appreciate your business.

*IWI US, Inc.*

# Table of Contents

<b>1</b>	<b>Warning</b> .....	<b>3</b>
<b>2</b>	<b>This Manual Contains</b> .....	<b>4</b>
<b>3</b>	<b>Icons in This Manual</b> .....	<b>5</b>
<b>4</b>	<b>Illustrations in This Manual</b> .....	<b>5</b>
<b>5</b>	<b>Dangerous Procedures</b> .....	<b>6</b>
<b>6</b>	<b>General Safety Rules and Procedures</b> .....	<b>7</b>
<b>7</b>	<b>Firearms Safe Home Storage Checklist</b> .....	<b>13</b>
<b>8</b>	<b>General Description</b> .....	<b>14</b>
8.1	Features .....	14
8.2	Models of UZI® PRO Semi-Auto Pistol .....	15
8.3	Function Overview .....	16
8.4	Technical Data .....	16
8.5	Left External View .....	17
8.6	Right External View .....	17
8.7	Aiming System .....	18
8.8	Ammunition .....	18
8.9	Safeties .....	19
8.9.1	<i>Safety Selector</i> .....	20
8.9.2	<i>Grip Safety</i> .....	20
8.9.3	<i>Blocking Latch</i> .....	21
8.9.4	<i>Firing Pin Block</i> .....	21
<b>9</b>	<b>Instructions for Using the Cable Lock</b> .....	<b>22</b>
<b>10</b>	<b>Operating Instructions</b> .....	<b>24</b>
10.1	Preparation for Firing .....	24
10.1.1	<i>Unloading and Safety Check</i> .....	24
10.1.2	<i>Function Test of Manual Safeties</i> .....	25
10.2	Loading .....	26
10.3	Firing .....	28

<b>11</b>	<b>Adjusting the Sights</b> .....	<b>30</b>
11.1	Zeroing Procedure .....	30
11.2	Zeroing Correction .....	31
<b>12</b>	<b>Stoppage Management</b> .....	<b>32</b>
<b>13</b>	<b>Cleaning &amp; Maintenance</b> .....	<b>35</b>
13.1	Periodic Maintenance .....	35
13.2	Pre-Firing Maintenance.....	37
13.3	Post-Firing Maintenance.....	37
<b>14</b>	<b>Disassembly &amp; Reassembly Instructions</b> .....	<b>38</b>
14.1	Field Stripping .....	38
14.1.1	<i>Removal/Installation of Barrel and Retaining Nut</i> .....	39
14.1.2	<i>Removal/Installation of Receiver Cover Assembly</i> .....	41
14.1.3	<i>Removal/Installation of Moving Mechanism</i> .....	43
14.1.4	<i>Disassembly/Reassembly of Firing Pin Guide Assembly</i> .....	45
14.2	Disassembly/Reassembly of Magazine Assembly .....	46
<b>15</b>	<b>Parts Lists &amp; Exploded View Diagrams</b> .....	<b>48</b>
15.1	UZI® PRO Semi-Auto Pistol (UPP9S) .....	48
15.2	UZI® PRO SB Semi-Auto Pistol (UPP9SB) .....	50
<b>16</b>	<b>Limited Product Warranty</b> .....	<b>52</b>
<b>17</b>	<b>Repair Services</b> .....	<b>54</b>



---

# 1 Warning

---



PRIOR TO REMOVING THIS GUN FROM ITS PACKAGING, AND PRIOR TO HANDLING, LOADING AND FIRING, CAREFULLY AND THOROUGHLY READ AND UNDERSTAND THIS ENTIRE OPERATOR MANUAL WHICH GIVES ADVICE ON THE FIREARM'S PROPER HANDLING, FUNCTIONING AND SAFE USE. YOUR SAFETY AND THAT OF OTHERS (INCLUDING YOUR FAMILY) DEPENDS ON YOUR RESPONSIBLE COMPLIANCE WITH THAT ADVICE, GOOD JUDGMENT AND COMMON SENSE. **FIREARMS SAFETY DEPENDS ON YOU.** YOU CANNOT FORGET, YOU CANNOT OVERLOOK, YOU CANNOT ALLOW YOURSELF TO BE DISTRACTED, YOU CANNOT BECOME COMPLACENT OR CASUAL WITH FIREARMS.

THERE ARE NO "FOOLPROOF" FIREARMS. ONCE A SHOT IS FIRED, IT CANNOT BE CALLED BACK. A FIREARM IN YOUR HANDS CAN CAUSE UNINTENDED DEATH OR SERIOUS BODILY HARM IF YOU FAIL TO FOLLOW SAFE GUN HANDLING RULES AND PRACTICES SUCH AS THOSE CONTAINED IN THIS MANUAL. **REMEMBER, FIREARMS SAFETY DEPENDS ON YOU!**

IF UNFAMILIAR WITH FIREARMS, SEEK SUPERVISED INSTRUCTION FROM A CERTIFIED INSTRUCTOR.

---

## 2 This Manual Contains

---

- Important **WARNINGS** and **SAFETY PRECAUTIONS** that must be read and understood before using this firearm. **SAFE GUN HANDLING IS YOUR PERSONAL RESPONSIBILITY AT ALL TIMES.** Disregarding the warnings and safety precautions in this manual can result in injury or death to you and others and damage to property.
- *Directions* and *procedures* for handling, loading firing, unloading, disassembling and assembling this firearm.
- *Instructions* for care, cleaning and repair of this firearm.

This Operator Manual is designed to help you in learning how to properly and safely use and care for your UZI® PRO. Only when you are certain you have fully familiarized yourself with the function of your firearm, should you practice loading, unloading, and firing with live rounds of ammunition at a firing range or other safe location.

This Operator Manual should always accompany the firearm and be transferred with the firearm on change of ownership or possession. Should you ever need to replace it, this manual is available FREE upon request from IWI US, Inc. or on the IWI US, Inc. website at [www.iwi.us](http://www.iwi.us).

---

## 3 Icons in This Manual

---

Before you start, familiarize yourself with the icons you will see in the manual.

### HAZARDS



**DANGER**—indicates an imminently hazardous situation which, if not avoided, will result in death or serious injury.



**WARNING**—indicates a potentially hazardous situation which, if not avoided, could result in death or serious injury.



**CAUTION**—indicates a potentially hazardous situation which, if not avoided, could result in minor or moderate injury or an unsafe practice that can lead to property damage.

**NOTE** notifies of particularly important information.

---

## 4 Illustrations in This Manual

---

The illustrations in this manual may differ slightly from the actual product.

## 5 Dangerous Procedures



**WARNING!** If your gun misfires with a live round in the chamber of a hot barrel, immediately remove the round while keeping the barrel pointed in a safe direction and the ejection port turned away from your face.

If unable to remove the live round within 10 seconds, remove the magazine, keep the gun pointed in a safe direction, and wait 15 minutes for the barrel to cool. Then remove the round.

Continuous or rapid firing of your gun can cause the barrel temperature to reach a **“COOKOFF POINT”**, where the heat of the barrel can cause a live round to fire from remaining in contact with a hot chamber. If you have been firing continuously or rapidly, do not allow a live round to remain in the chamber when you finish firing, as it may **“COOK OFF” (FIRE)**. Always keep your face away from the ejection port when clearing a hot chamber.



**WARNING!** If the gun becomes unresponsive, point the barrel in a safe direction and carefully remove the magazine and receiver cover.

Insert a spacer between the breech block and firing pin guide to prevent accidental firing.

Unscrew the barrel locking nut and carefully remove the barrel while making sure your hand does not obstruct the muzzle.

Cock the gun to release the buffer and remove the breech block group from the pistol body.

Verify there is no live round inside the pistol.



**WARNING!** Never fire your gun with water, grease, excess oil, or any other obstruction in the barrel as this could cause the gun to explode! Be sure the barrel is clear of obstructions before shooting.



**WARNING!** When firing and you experience a noticeable difference in sound or recoil, **STOP FIRING!**

The cause for either condition could be incomplete powder burn, a cartridge with a primer but no powder (“SQUIB LOAD”) or too little powder, and/or a bullet stuck in the bore.

Immediately unload the gun and check for unburned powder residue in the bore and the receiver or a bullet stuck in the bore. Remove the unburned powder before resuming firing. If a bullet is stuck in the bore, have a qualified gunsmith take care of the problem. Never try to “SHOOT OUT” a bullet stuck in the bore. Firing with unburned powder in the barrel or a bullet stuck in the bore could cause the barrel to explode causing serious injury or death.

---

## 6 General Safety Rules and Procedures

---



**WARNING!** Careless and improper handling of this gun could result in unintended discharge, causing injury, death or property damage. Safety must be the first and constant consideration when handling a firearm and ammunition. **SAFETY DEPENDS ON YOU.**



**WARNING!** This firearm was designed to function properly in its original condition. Do not alter any parts. Do not replace any parts unless you are factory-trained to do so and then use only original factory parts from IWI US, Inc.



**WARNING!** This firearm should always be carried with the chamber empty and with the safety **“ON SAFE”** to prevent accidental discharge.

**Important Note:**

This Operator Manual and the instructions and warnings contained in it are intended for the civilian recreational user, target shooter, or hunter, and not necessarily for the law enforcement, security, military, or other "defensive" user. Defensive use of this or any other firearm involves unusual, serious risks, and may at times require deviation from certain safety rules and gun handling procedures contained in this manual. Such defensive procedures and deviations are beyond the scope of this manual. In order to use such defensive procedures safely requires intensive initial training and qualification from a proper professional source, followed by "in service" training and qualification at appropriate intervals. Anyone who has not been properly and professionally trained in defensive gun handling procedures must not attempt to use this firearm in any manner other than as set out in this Operator Manual. Doing so can result in serious injury or death.



**WARNING!** Always handle and treat your firearm as if it were loaded so you will never fire it accidentally when you mistakenly think it is unloaded. Never take anyone's word that it is unloaded. Always check it yourself with your fingers off the trigger and the gun pointed in a safe direction. Even after you have confirmed that the gun is unloaded, continue to treat it as if it were loaded.



**WARNING!** Never place your fingers inside the trigger guard area unless you are aiming at a proper target and intend to fire. Instead, keep your trigger finger wrapped around the grip or braced on the gun's frame until you intend to fire. Do not pull the trigger or attempt to fire until the safety selector has been moved to the FIRE position.



**DANGER!** DO NOT grasp the forward portion of the trigger guard/pistol grip frame with your non-shooting hand or allow any fingers of your non-shooting hand to enter the trigger guard at any time. If you do so, there is a chance your non-shooting hand or fingers could touch the trigger, unintentionally firing the firearm and resulting in death or serious injury.



**WARNING!** If your finger is on the trigger or inside the trigger area, you may unintentionally discharge the firearm if you are startled, if you lose your balance, if you exert muscular force with your other hand or arm or with either leg, or if something comes in contact with your hand, arm, or the gun. Always keep the safety “ON SAFE” and your finger outside the trigger area, wrapped around the grip or braced on the gun’s frame, until you intend to fire.



**WARNING!** Upon firing, a hot, empty shell casing is forcefully ejected from the right side of the firearm. All persons present must wear suitable eye protection, and must stand clear of the case ejection area.



**WARNING!** Keep the gun's muzzle pointed in a safe direction at all times. A safe direction is one in which an unintentionally fired shot will not cause any physical injury or property damage. Never let the muzzle of a firearm point at any part of your body or another person, or in any direction where an injury may result if the gun were to fire. Always be sure of your target and what's beyond and around it before firing.



**WARNING! UNLOAD ALL FIREARMS WHEN NOT IN USE. NEVER STORE A LOADED FIREARM.** Firearms and ammunition should be stored separately under lock and key so that they are inaccessible to children or unauthorized users. Never leave a loaded firearm, or any firearm or ammunition, unattended where an unauthorized user might have access to it. At the range, any firearm you lay down on the shooting bench should be unloaded, with its action locked open. Never lean or place a firearm where it could slide or fall, such as leaning it against or placing it on a vehicle. Never let the muzzle of a firearm touch the ground, or touch mud, sand or snow that might obstruct the bore, causing the barrel to burst when you fire. If you drop a firearm, pick it up carefully with it pointed in a safe direction (have all other people move out of the direction of the muzzle), with your finger outside the trigger area and the safety in the “ON SAFE” position. Then unload the firearm, and check to be sure there are no obstructions in the bore. This can be done safely with a cleaning rod, or by disassembling the firearm and looking down the bore from the chamber (rear) end. If there is any possibility of damage to your UZI® PRO, have it inspected by a qualified gunsmith, or return it to IWI US, Inc. for inspection, before you load or fire it again.



**WARNING!** Always make sure your firearm is not loaded before cleaning, storing, transporting or handing it to another person. Firearms should be transported unloaded and in a protective gun case.



**WARNING!** Whenever you pick up any firearm that, even for an instant, has been out of your direct, continuous control, the first thing you must do, while keeping the muzzle pointed in a safe direction and your fingers out of the trigger area, is to open the firearm's action (mechanism) to determine whether or not it is loaded.



**WARNING!** Always wear and require others to wear wraparound ANSI or OSHA approved safety glasses while shooting to protect your eyes from injury by ejected shell cases, gun powder gas, lubricant, dirt or metallic particles, carbon residue, sparks, bullet splashback from targets or other debris.



**WARNING!** Always wear and require others to wear commercially manufactured ear protection when shooting. Without ear protection, the noise from your gun, and other guns close to you, could leave a “ringing” in the ears for some time after firing, and could result in permanent hearing loss.



**WARNING!** Learn the mechanical and handling characteristics of the firearm you are using. Not all firearms are the same, and your UZI® PRO firearm has some unique features. Do not assume that just because you have experience with other firearms, you know how to use the UZI® PRO firearm properly. Read and understand this manual. If there is anything you do not understand, contact your firearms retailer or IWI US, Inc. at [service@iwi.us](mailto:service@iwi.us) or telephone +1 (717) 695-2081.



**WARNING!** Never climb or descend a tree, fence or wall, jump across a stream or ditch, or attempt to cross an obstacle, ice, or precarious terrain while carrying a loaded firearm. Whenever you are going to do anything awkward, unload the gun first!





**WARNING!** Do not shoot at a hard surface, such as rock, masonry or metal, or at water or ice. The bullet may ricochet and travel in unpredictable directions to strike you or another unintended person or object, or even an object that you cannot see.



**WARNING!** A bullet fired into the air can travel over one mile, and can kill or seriously injure someone when it comes down. Never fire into the air, or at a target or animal in a tree or on the crest of a hill.



**WARNING!** Before hunting with this or any other firearm, take an approved Hunter Safety Course, taught in all states by the state game commission or by the National Rifle Association (NRA). Follow your state's game laws at all times while hunting.



**WARNING!** Firing a gun near livestock or other domestic animals may startle them and cause them to injure themselves, other animals, or people, or to cause property damage. Think first before you discharge any firearm.



**WARNING!** If you have not received formal firearms instruction or if you have any doubts about your ability to handle or use this firearm safely, seek supervised instruction from a certified instructor. Information about sources of firearms instruction can often be obtained from your local police department, firearms retailer, gun club, shooting range, state game commission, or from the National Rifle Association ("NRA"), 11250 Waples Mill Road, Fairfax, Virginia 22030, telephone 1-703-267-1000 or 1-800-672-3888.



**WARNING!** If at any time you notice something about the appearance or functioning of your UZI® PRO firearm that does not seem proper or that causes you concern, STOP, unload your firearm immediately, and do not load or fire your firearm until you have it inspected and, if necessary, repaired by a factory-trained armorer, or by IWI US, Inc. If you fire your UZI® PRO firearm extensively, have it professionally inspected and serviced periodically (annually is a good average interval) by a factory-trained armorer or by IWI US, Inc.



**WARNING!** Firearms and alcohol do not mix. Never drink alcoholic beverages or take drugs before or during shooting. This constitutes criminal disregard for your safety and that of others. Some medications can impair your vision, balance, reflexes, coordination, alertness or judgment. Never use a firearm while you are taking medication unless you have checked with your doctor to ensure your fitness to handle your firearm safely. Do not handle your firearm when you are ill, tired, upset or distracted.



**WARNING!** Horseplay has no place around firearms. Guns can't think – you can! **SAFETY DEPENDS ON YOU!**



**WARNING!** Remember, safety is your responsibility. Be a safe shooter. **SAFETY DEPENDS ON YOU!**



**WARNING! FOLLOW THE LAW.** Obey all local, state and federal laws regarding possessing, storage, shooting and transporting your firearm.



**WARNING!** Discharging firearms in poorly ventilated areas, cleaning or handling firearms, or handling ammunition may result in exposure to lead and other substances that may cause birth defects, reproductive harm, and other serious physical injury. Have adequate ventilation at all times. Wash your hands and face thoroughly after exposure, and before eating or drinking. Shooting, handling or cleaning guns may expose you to lead, which is a toxic substance.

**REMEMBER, FIREARMS SAFETY DEPENDS ON YOU! THERE ARE NO “FOOLPROOF” GUNS, INCLUDING THE UZI® PRO. A SINGLE MOMENT OF INATTENTION OR A SINGLE FAILURE TO FOLLOW THESE GUN SAFETY RULES AND WARNINGS CAN RESULT IN TRAGEDY. YOU ARE RESPONSIBLE FOR THE GUN THAT IS IN YOUR HANDS, IN YOUR POSSESSION, OR UNDER YOUR CONTROL. FIREARMS SAFETY DEPENDS ON YOU!**

---

## 7 Firearms Safe Home Storage Checklist

---

- Firearms naturally attract the attention of children, teenagers and adults alike. Accordingly, it is YOUR responsibility to ensure that your firearms, when unattended, stored, or not in use, are secured under lock and key, safely out of the access of all unauthorized users. This is YOUR responsibility, and any mistake or laziness on your part can result in death or serious injury to your loved ones or others.
- Firearms must be securely stored under lock and key in a location inaccessible to children and other unauthorized persons.
- One of the safest ways to store your firearms is in a locking metal gun safe or lock box. Many models, including ones permitting quick access to the firearm if needed for self-defense, are now available at firearms retailers or via the Internet. Using the cable lock provided with your UZI® PRO Semi-Auto Pistol (see “Instructions for Using the Cable Lock” on page 22) is a good safety precaution, but not as good as locking your firearm in a metal gun safe, where it is also out of sight and protected from fire, theft, and curious hands.
- Firearms should be unloaded before they are brought into the home and never loaded while in the home.
- Sporting firearms should be immediately cleaned and placed in secure locked storage when they are returned from hunting or target shooting.
- When firearms are removed from storage, they must always immediately be carefully checked to confirm that they are unloaded.
- Ammunition should be stored under lock and key, in a separate location from firearms.
- The operator manual that came with your firearm must be read, understood and followed.

*For more information on safe storage and use, refer to the NSSF pamphlets “Firearms Safety Depends on You” and “Firearms Responsibility in the Home”, available for download from the NSSF website at <http://nssf.org>.*

---

## 8 General Description

---

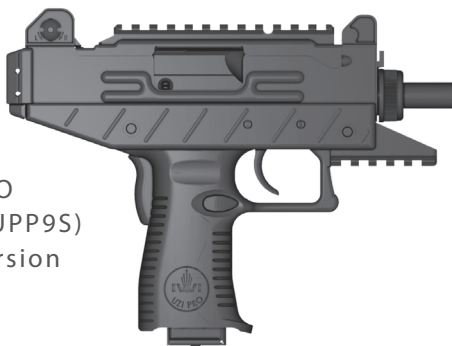
### 8.1 Features

The UZI® PRO modernized features include:

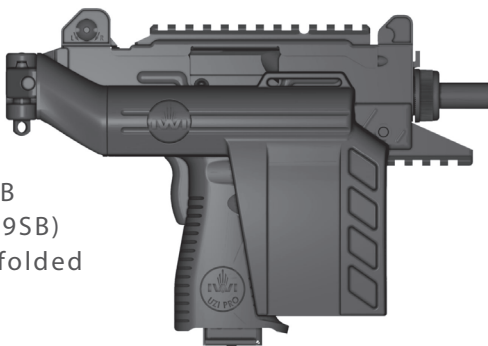
- Magazine release relocated in the new polymer pistol grip for fast and simple magazine changes.
- Cocking handle located on receiver side allowing for a full length Picatinny rail on top receiver cover.
- Short Picatinny rail below barrel for accessories.
- 9mm Luger Parabellum (9x19mm) with blowback operation from a closed breech.
- 4½" cold hammer forged barrel, 1:10 twist, CrMoV steel, OAL 9½".
- Four safety mechanisms including:
  - a. Safety Selector
  - b. Grip Safety
  - c. Blocking Latch
  - d. Firing Pin Block
- Special marking on the breech block showing that the round is seated correctly in the chamber (Loaded Chamber Indicator).
- Simple maintenance; no special tools required for field stripping.
- Supplied with two magazines: one 20 round and one 25 round.
- Combat proven. Based on the famous UZI® Submachine Gun.
- Compatible with a side-folding Stabilizing Brace.

## 8.2 Versions\*

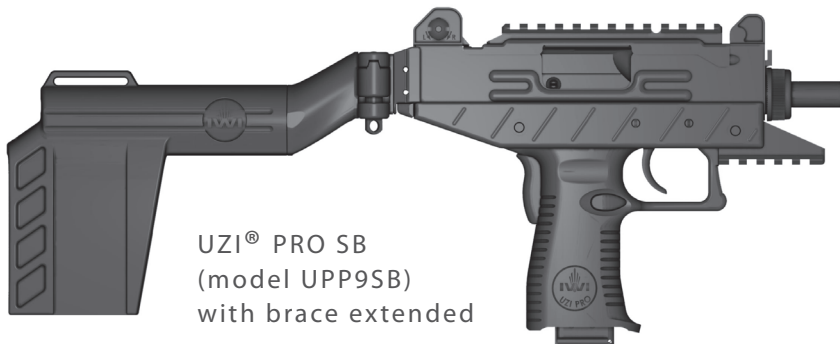
UZI® PRO  
(model UPP9S)  
basic version



UZI® PRO SB  
(model UPP9SB)  
with brace folded



UZI® PRO SB  
(model UPP9SB)  
with brace extended



\*. The illustrations in this manual depict the UZI® PRO version.

## 8.3 Function Overview

The UZI® PRO is a semi-automatic pistol that functions based on a closed breech principle—after cocking, the breech block feeds a round into the chamber, but the firing pin remains behind and is not released to fire a round until the trigger is pulled.

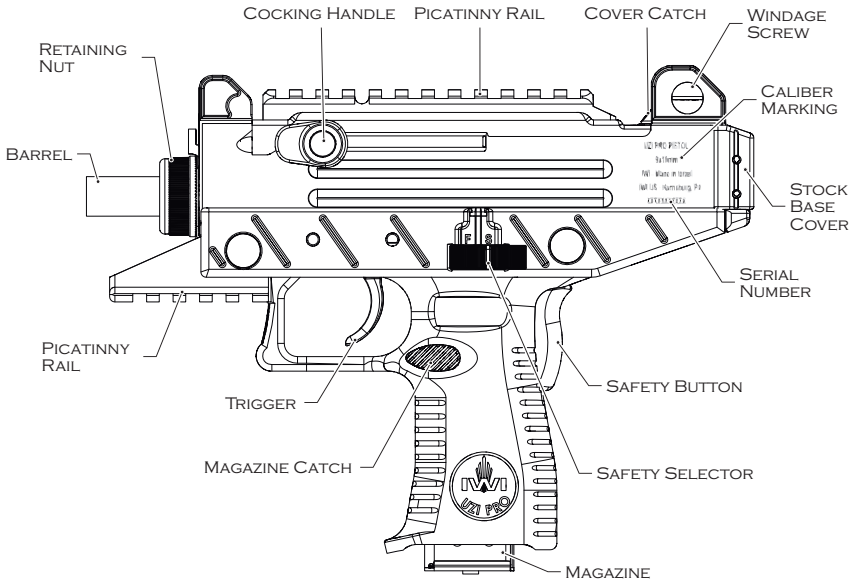
The UZI® PRO has a 1:10 inch twist barrel for accurate firing of 9mm Luger Parabellum (9x19mm) ammunition.

The UZI® PRO is supplied with steel magazines of 20 and 25 round capacity.

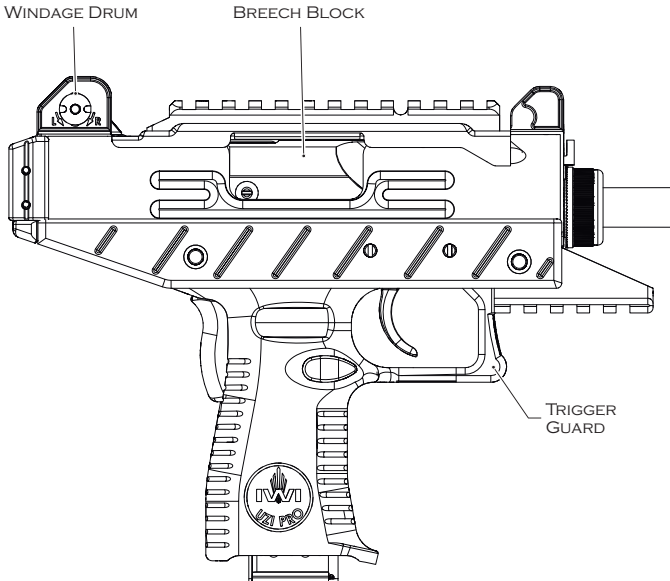
## 8.4 Technical Data

CALIBER	9mm Luger Parabellum (9x19mm)
OPERATION PRINCIPLE	Blowback, firing from closed breech with a floating firing pin
FIRE MODE	Semi-Automatic
WEIGHT (PISTOL ONLY)	4.94 Lbs.
OVERALL LENGTH	9 $\frac{3}{8}$ inch
BARREL LENGTH	4 $\frac{1}{2}$ inch
RIFLING	Right Hand, 4 Grooves, 1:10 inch twist
MUZZLE VELOCITY (APPROX.)	1214 fps
SIGHTS	<ul style="list-style-type: none"> <li>• front sight (post)/rear sight (square notch)</li> <li>• optional reflex sight</li> </ul>
COLOR	Black

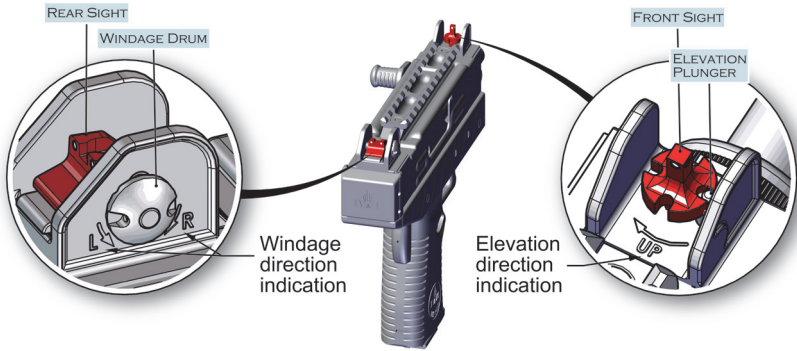
## 8.5 Left External View



## 8.6 Right External View

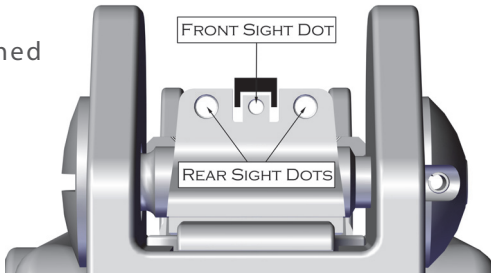


## 8.7 Aiming System



The front and rear sights are of post and square notch type respectively. Aiming is achieved by centering the front post in the notch of the rear sight and leveling the tops of both sights.

Sights Aligned  
on Target



*For more on  
the aiming  
system, (see  
“Adjusting  
the Sights”  
on page 30).*

## 8.8 Ammunition



**WARNING!** Discharging firearms in poorly ventilated areas, cleaning or handling firearms, or handling ammunition may result in exposure to lead and other substances that may cause birth defects, reproductive harm, and other serious physical injury. Have adequate ventilation at all times. Wash your hands and face thoroughly after exposure, and before eating or drinking. Shooting, handling or cleaning guns may expose you to lead, which is a toxic substance.



Use only high quality commercially manufactured ammunition in good condition of the appropriate caliber. The caliber of your pistol is marked on the pistol body (*see para. 8.5*). The UZI® PRO is chambered for 9mm Luger Parabellum (9x19mm) ammunition.

Not all ammunition produces the same result. IWI US, Inc. recommends that once you find a brand which functions best, keep using it.

IWI US, Inc. does not recommend using hand loads, reloads or remanufactured ammunition, or foreign or military surplus ammunition of unknown or questionable quality. The use of this ammunition will void the IWI US, Inc. warranty, and may be dangerous, possibly causing death or serious injury if the ammunition is not made to the proper specifications.

## 8.9 Safeties



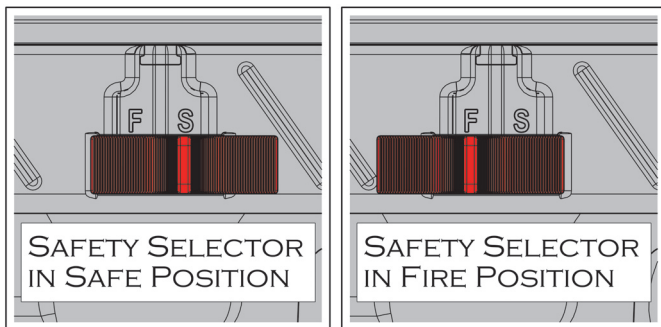
**WARNING!** Safety is the first and foremost concern when handling any firearm. Always keep the muzzle pointed in a safe direction! Keep your fingers outside the trigger area until you are aimed at a proper (safe) target and intend to fire! Keep the safety selector “ON SAFE” until you are aimed at a proper target and only then move the safety selector to the FIRE position.

The following independent safety mechanisms minimize the possibility of accidental firing:

- **Safety Selector** (*see para. 8.9.1*)
- **Grip Safety** (*see para. 8.9.2*)
- **Blocking Latch** (*see para. 8.9.3*)
- **Firing Pin Block** (*see para. 8.9.4*)

## 8.9.1 Safety Selector

The manual Safety is activated by the **Safety Selector** that is located on the left side of UZI® PRO receiver. The Safety Selector has two positions: **Fire (F)** and **Safe (S)**.



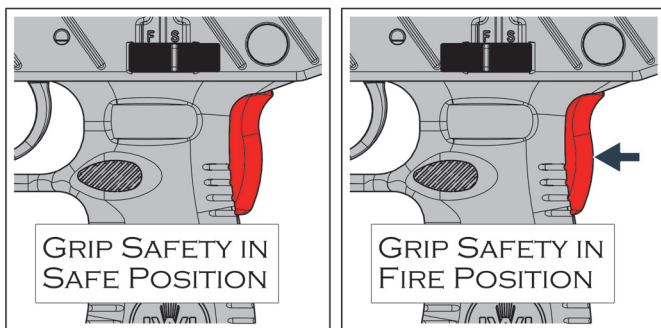
Safety Selector Positions



**WARNING!** The Safety Selector is not intended as a replacement for safe gun handling practices. Do not rely on the Safety Selector alone to keep you and others safe. A firearm's safety, like any other mechanical device, can fail, or you may be mistaken about its position.

## 8.9.2 Grip Safety

The integrated Grip Safety is located on the back of the trigger housing. It must be depressed to pull back the breech block to cock or fire the gun.

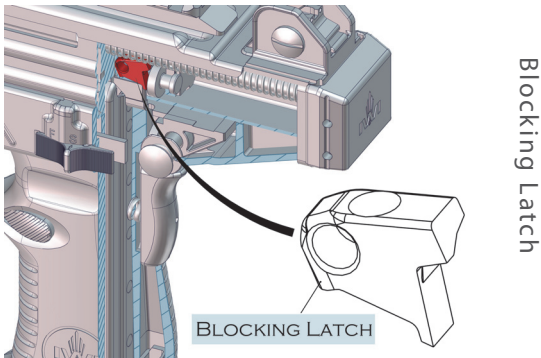


Grip Safety Positions

For more on manual safeties, see the **Function Test of Manual Safeties** procedure on page 25.

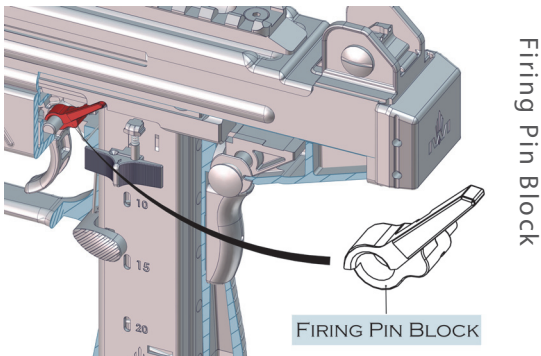
### 8.9.3 Blocking Latch

If the breech block does not fully complete its backward movement, the internal Blocking Latch mechanism prevents the locking of the round inside the chamber and no firing occurs.



### 8.9.4 Firing Pin Block

A special mechanism blocks the firing pin to prevent involuntary firing. This blockage is released only when the trigger is pulled.



## 9 Instructions for Using the Cable Lock

Your UZI® PRO pistol is supplied with a quality cable lock. Properly used, this lock will help you to secure your firearm from children and other unauthorized users to reduce the chance of an accident, either in the home or while transporting your firearm, provided you take the other reasonable safety precautions contained in this Operator Manual.



**WARNING!** NEVER attempt to use the cable lock on a loaded firearm - always unload the firearm before installing the cable lock. Otherwise, the firearm could discharge, causing death or serious injury.



**WARNING!** NEVER insert the cable lock into the trigger guard or trigger area of the UZI® PRO or any other firearm, as the cable installed in this way does not prevent the UZI® PRO from being loaded, and could press against the trigger and fire the gun, causing death or serious injury.



**WARNING!** The cable lock supplied with your UZI® PRO pistol may not fit or work properly on other firearms. This lock is intended for use only on your UZI® PRO pistol.

To use the cable lock, do the following:

1. Be sure your firearm is empty (unloaded) by following the **Unloading and Safety Check** procedure on page 24.

*Your UZI® PRO should now be unloaded, with the safety selector “ON SAFE” and the breech locked open (to the rear).*



**WARNING!** Keep the muzzle pointed in a safe direction, your fingers outside the trigger area, and the safety selector “ON SAFE” throughout the process of putting the cable lock on your pistol.

2. Using the key, open the cable lock. Leave the key in the lock.
3. Insert the end of the cable lock cable through the ejection port and out through the empty magazine well.

4. Insert the end of the cable lock cable into the lock body and hold the end of the cable fully into the lock body while you turn and remove the key to lock the lock.
5. Tug hard on the cable and lock body several times to be sure the lock is locked securely.

*Used in this way, the cable lock will prevent the UZI® PRO's breech from closing, preventing the pistol from being fired.*

6. Take the key with you, or store the key securely in a remote location from the firearm that is unknown to children and unauthorized others.
7. Store your locked firearm in a secure place out of sight, and out of reach of children.

## NOTE

*While the cable lock can be an important part of your firearms security program, for home storage it is not as secure as locking your gun in a metal gun safe or lock box. Use of the cable lock alone will not prevent your firearm from being stolen, and will not keep your firearm out of view of unauthorized users. The cable lock can be cut off the firearm with a hacksaw, bolt cutter or cable cutter.*



**WARNING!** DO NOT INSERT CABLE LOCK THROUGH TRIGGER GUARD OF FIREARM, EITHER LOADED OR UNLOADED!



## 10 Operating Instructions



**DANGER!** Be precise cocking your UZI® PRO—make sure you pull the Cocking Handle as far to the rear as it can go. Incomplete motion prevents the Firing Pin from being cocked to the rear and thrusts it forward, which may cause an accidental discharge.



**WARNING!** Before your firearm left the factory, it was function tested, inspected and packaged. IWI US, Inc. cannot control the product handling after it has left our factory. Therefore, at the time of purchase carefully examine the pistol to be sure it is unloaded and undamaged and all components are included. Seek your dealer's help for assistance in examining the firearm and to answer your questions.

### 10.1 Preparation for Firing



**WARNING!** Always handle and treat your firearm as if it is loaded! Never take anyone's word that it is unloaded. Keep the muzzle pointed in a safe direction at all times. Keep your fingers outside the trigger area until you are aiming at a safe target and intend to fire.

#### 10.1.1 Unloading and Safety Check

To unload or “clear” your pistol of live ammunition or to make sure it is unloaded, keep the muzzle pointed in a safe direction and your fingers outside the trigger area while performing the following steps:

1. Press the Magazine Catch and remove the magazine.
2. Move the Safety Selector to the F (Fire) position (*see “Safety Selector Positions” on page 20*).
3. Hold the pistol with your right hand by the pistol grip while pressing the Grip Safety (*see “Grip Safety Positions” on page 20*).
4. Cock and release the Cocking Handle fully three times releasing the Cocking Handle to let the breech block move forcefully forward each time (do not “RIDE” the cocking handle forward).

5. Lower the muzzle 45° downward.
6. While pulling and holding the Cocking Handle to the rear, check visually that the barrel chamber is empty (“CLEAR”). If there is not enough light for you to see clearly that the chamber is empty, use a flashlight or other artificial light. You must not “think” the chamber is empty, you must KNOW it is empty, because if you are wrong, death or serious injury may result.
7. Release the Cocking Handle.  
*The breech block moves forward.*
8. Point the pistol in a safe direction and squeeze the Trigger.  
*The Firing Pin operates.*
9. Move the Safety Selector to the S (Safe) position. Be sure the safety selector is “ON SAFE” when you store the pistol.



**WARNING!** Check the pistol to make sure there is no excessive oil or other obstruction in the bore. Always clean a new pistol before firing!

## 10.1.2 Function Test of Manual Safeties



**WARNING!** Prior to performing the safety function test, make sure the pistol is cleared, unloaded, the magazine has been removed, and the chamber is clear, “EMPTY” (*see “Unloading and Safety Check” on page 24*).



**WARNING!** Make sure that the muzzle is pointed in a safe direction at all times.

1. Place the Safety Selector in the S (Safe) position (*see “Safety Selector Positions” on page 20*). Attempt to cock the gun. The Cocking Handle should not be able to move rearwards.  
Depress the Grip Safety (*see “Grip Safety Positions” on page 20*). Attempt to squeeze the Trigger. The Trigger should be blocked.
2. Move the Safety Selector to the F (Fire) position. Depress the Grip Safety and squeeze the Trigger. The Trigger should be unblocked.

With the Grip Safety depressed, hold the Trigger to the rear. Pull the Cocking Handle to the rear and release. Release the Trigger with a slow and smooth motion until the Trigger is fully forward. An audible click should be heard. The Firing Pin should not operate. Squeeze the Trigger to release the Firing Pin.

With the Trigger depressed, pull the Cocking Handle to the rear and release. Attempt to move the Safety Selector to S. The Safety Selector should not be able to move to the S (Safe) position with thumb pressure. Release the Trigger and squeeze again. The Firing Pin should operate.

3. Move the Safety Selector to the S (Safe) position. Be sure the safety selector is “ON SAFE” when you store the pistol.



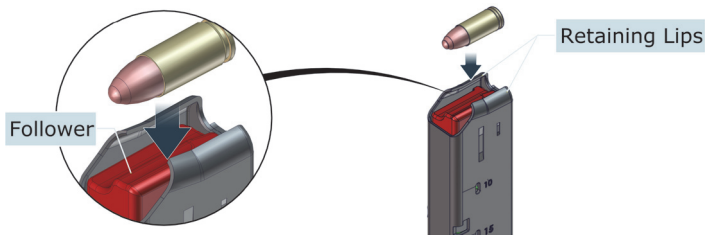
**WARNING!** If the pistol fails any of the steps of the test, **do not load or use** the pistol and return it to IWI US, Inc. for inspection and repair.

## 10.2 Loading



**WARNING!** Always check that the ammunition is clean and undamaged, and the correct caliber for the pistol. Forcing damaged ammunition into the chamber could result in injury, death, damage to property and damage to your pistol.

1. To load the magazine:
  - a. With the front of the magazine forward, place a round between the magazine lips with the round pointed forward.
  - b. Push the round down into the magazine until it is retained by the magazine lips.





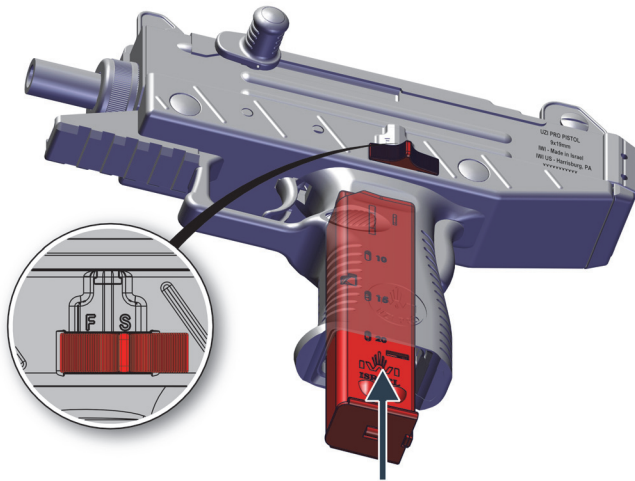
- c. Place the next round on top of the previous round and press down again. Repeat until the desired number of rounds are loaded.

2. To load the pistol:



**WARNING!** Always position the Safety Selector in the S (Safe) position when loading and unloading the firearm!

- a. Ensure that the Safety Selector is in the (Safe) position (*see “Safety Selector Positions” on page 20*).
- b. Grasp the pistol grip with the right hand, with the trigger finger outside of the trigger guard.
- c. Tilt the pistol to the right and insert the magazine into the magazine housing until the Magazine Catch snaps into place. Tap the magazine base and then pull on the magazine to ensure it is locked in place.



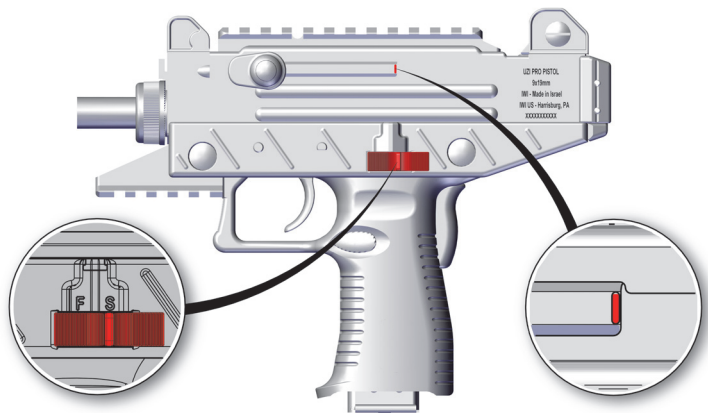
- d. While fully depressing the Grip Safety, cock the pistol by releasing the Breech Block to move forward forcefully (do not “RIDE” the Breech Block forward).

**NOTE**

*The red mark on the left side of the breech block indicates that the round is seated properly in the chamber.*

- e. Verify that the round has been chambered properly (the red mark is visible on the left side of the breech block). If the red mark is not visible, lightly push the breech block forward to put the round in the correct position.

THE PISTOL IS NOW LOADED WITH A ROUND IN THE CHAMBER AND THE SAFETY SELECTOR ON S (SAFE):



UZI® PRO: Loaded, Safed.

## 10.3 Firing



**WARNING!** Do not chamber a round until you are ready to fire the pistol. Always keep the muzzle pointed in a safe direction. Do not disengage the safety or put your finger into the trigger area until you are aimed at a safe target and intend to fire. Always wear eye and hearing protection when firing your pistol.



**WARNING!** Upon firing, a hot, empty shell casing is forcefully ejected from the right side of the firearm. All persons present must wear suitable eye and ear protection, and must stand clear of the case ejection area.

1. With the pistol loaded and the Safety Selector in the S (Safe) position— *see figure on page 28*—grip the pistol firmly with both hands; keep your right hand on the pistol grip grasping your right hand with your left hand to steady the hold.

DO NOT HAVE ANY FINGERS OF YOUR LEFT HAND INSIDE THE TRIGGER GUARD AT ANY TIME.

DO NOT HAVE YOUR TRIGGER FINGER ON THE TRIGGER AT THIS TIME.

2. Aim by aligning the front and rear sights on the target (see “Sights Aligned on Target” on page 18).
3. Move the Safety Selector to the F (Fire) position (see “Safety Selector Positions” on page 20).

## NOTE

*The Grip Safety must be fully depressed to fire the UZI® PRO pistol (see “Grip Safety Positions” on page 20).*

4. With the Grip Safety fully depressed, gently pull the trigger without disturbing the sight alignment until the sear releases and the pistol fires. Release the trigger.

Repeat aiming and pulling the trigger to fire a round, then releasing the trigger, aiming and pulling the trigger to fire the next round and subsequent rounds until you are finished firing or the magazine is empty.

5. When finished firing, remove your finger from the trigger and move the Safety Selector to the S (Safe) position.

*After the last round is fired from the magazine, the firing pin guide remains in the rear position. Additional squeezing of the trigger when the magazine is empty releases the firing pin guide and it moves forward.*

### ...when the magazine is empty:

6. Remove the empty magazine by pressing the Magazine Catch.

To continue firing, insert another loaded magazine, cock the pistol by pulling the Cocking Handle fully rearward and releasing it, and a new round will be chambered. Be careful because the pistol is now ready to fire again if the trigger is pulled.

7. Whenever you stop firing, even momentarily, place the Safety Selector in the S (Safe) position.
8. When you finish firing, unload the pistol and confirm that it is empty (“clear”), following the **Unloading and Safety Check** procedure on page 24.

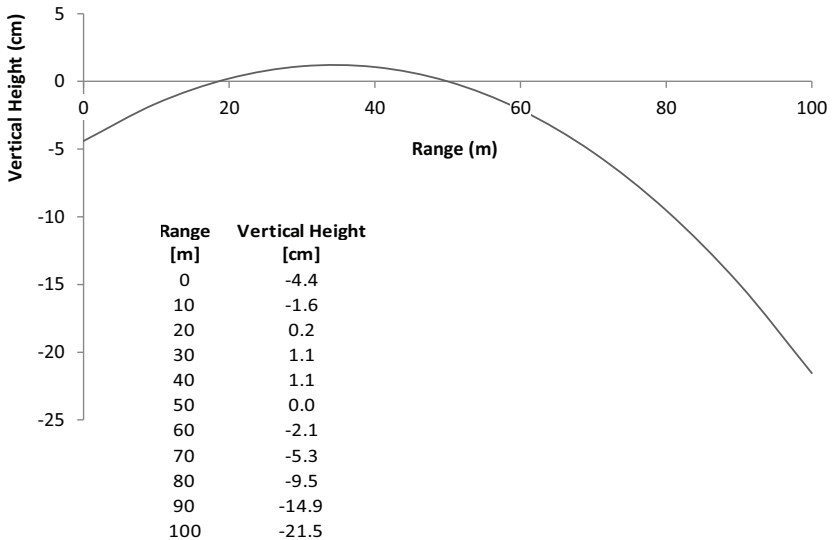
# 11 Adjusting the Sights

## 11.1 Zeroing Procedure

1. Fire 5 rounds at a zeroing target placed at a 25m distance.
2. Once you achieve your group, calculate the MPI (Mean Point of Impact, the geometrical center of all the points of impact).
3. Using the squares on the zeroing target, calculate the number of “clicks” needed to bring the MPI to the OPI (Optimal Point of Impact).

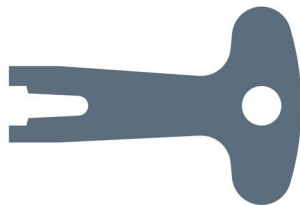
*One click equals 1.7 centimeters at 25 meters both for windage and elevation.*

### Ballistic Curve for UZI® PRO



## 11.2 Zeroing Correction

Make zeroing correction by rotating the front sight (A) and windage drum (B) with the zeroing wrench (during rotation, clicks sound).



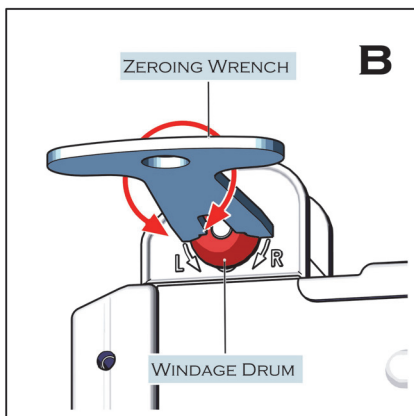
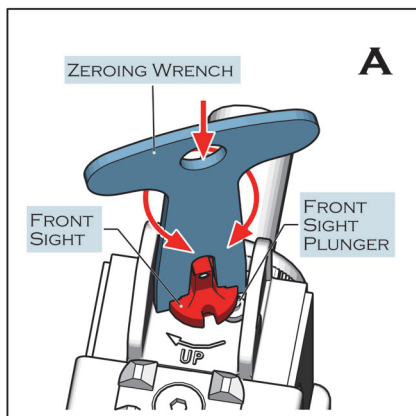
Zeroing Wrench

### ...to adjust elevation:

1. Place the zeroing wrench on the front sight and push it down to depress the elevation plunger.
2. While pressing the zeroing wrench, rotate as shown in figure **A** below.

### ...to adjust windage:

Insert the tip of the longer part of the zeroing wrench into the slot on the head of the windage drum and rotate as shown in figure **B** below.



## 12 Stoppage Management

	POSSIBLE CAUSE	MANAGEMENT
<b>FAILURE T COCK</b>	Bullet case stuck between barrel and receiver wall, while there is a live round in chamber.	<ol style="list-style-type: none"><li>1 Remove magazine.</li><li>2 Cock the gun several times while tilting to both sides until the case falls out.</li></ol>

	POSSIBLE CAUSE	MANAGEMENT
<b>FAILURE TO FEED</b>	Magazine improperly seated.	Push magazine home until latch catches.
	Dirty magazine.	Remove magazine, clean and reinsert.
	Defective magazine.	Replace magazine.
	Crooked return spring pivot.	Contact <a href="mailto:service@iwi.us">service@iwi.us</a> .
	Soot in chamber.	Remove barrel and clean chamber.
	Weak/broken return spring.	Contact <a href="mailto:service@iwi.us">service@iwi.us</a> .
	Broken/worn firing pin.	Contact <a href="mailto:service@iwi.us">service@iwi.us</a> .
	Short recoil.	Clear jam. Check chamber for cleanliness. Check type of ammunition (may be under-powered). Try other commercially manufactured 9mm ammo.
	Double feed.	<ol style="list-style-type: none"><li>1 Inspect for stuck case or cartridge.</li><li>2 Check extractor and ejector.</li></ol>

	POSSIBLE CAUSE	MANAGEMENT
FAILURE TO CHAMBER	Incorrect cocking.	Remove magazine. Recock and reload.
	Dirty chamber.	Clean chamber.
	Defective ammunition.	Check for damaged cartridges, replace.
	Very dirty UZI® PRO pistol.	Check for sluggishness in breech and firing mechanism. Clean and lubricate as necessary.
	Defective return spring.	Check for recurrent sluggishness in operation. Check return spring assembly for damage. Replace if necessary.

	POSSIBLE CAUSE	MANAGEMENT
FAILURE TO FIRE	Defective firing pin.	Contact <a href="mailto:service@iwi.us">service@iwi.us</a> .
	Dirty breech surface.	Disassemble pistol and clean.
	Crooked receiver or barrel housing.	Contact <a href="mailto:service@iwi.us">service@iwi.us</a> .
	Breech not in foremost position.	Clear jam if necessary and recock. Pull breech all the way back and let it snap home by itself: do not "ride" the cocking handle!
	Barrel not properly seated.	Make sure that the flats on barrel line up with the flats on the barrel housing protrusion. Tighten barrel retaining nut until clicking noise stops.

	POSSIBLE CAUSE	MANAGEMENT
FAILURE TO EXTRACT	Dirty ammunition.	Remove ammunition from magazine and clean.
	Soot in chamber.	Remove barrel and clean chamber.
	Corroded chamber.	Contact <a href="mailto:service@iwi.us">service@iwi.us</a> .
	Broken/defective extractor.	Contact <a href="mailto:service@iwi.us">service@iwi.us</a> .
	Weak extractor spring.	Contact <a href="mailto:service@iwi.us">service@iwi.us</a> .
	Broken/defective extractor.	Contact <a href="mailto:service@iwi.us">service@iwi.us</a> .
	Fouled extractor.	Clean extractor.

	POSSIBLE CAUSE	MANAGEMENT
FAILURE TO EJECT	Crooked/loosened ejector.	Contact <a href="mailto:service@iwi.us">service@iwi.us</a> .
	Defective or under-powered ammunition	Check ammunition for damage. Replace if problem persists.



---

# 13 Cleaning & Maintenance

---

## 13.1 Periodic Maintenance

1. Perform **Unloading and Safety Check** (*see page 24*).
2. Perform **Field Stripping** (*see page 38*).
3. Disassemble the **Magazine Assembly** (*see page 46*).
4. Clean and lubricate as follows:

### Barrel

- a. Remove heavy deposits using the general cleaning brush.

### NOTE

*Deposits that cannot be readily removed with the brush may be treated by coating the bore and chamber and allowing to soak in good quality bore cleaning fluid. After soaking, repeat **step a**.*

- b. Pass the cleaning rod with a patch moistened with bore cleaning fluid through the barrel.
- c. Pass the cleaning rod with a brass brush through the barrel several times.
- d. Pass the rod with a clean patch through the barrel.
- e. Repeat **steps b, c** and **d** until the patch comes out clean.
- f. Pass the rod with a lightly oiled patch through the barrel to establish a thin film of oil in the bore.

## Moving Mechanism

Clean and lightly lubricate all parts of the breech block, firing pin guide, and return spring assembly.

## Magazine

Clean and lightly lubricate all parts of the magazine. Verify that the magazine lips are not deformed or nicked.

### While cleaning, do the following inspection:

- i.* Examine the bore and chamber visually to make sure the barrel is not damaged and free of rust.
  - ii.* Check that all parts are serviceable and not missing.
  - iii.* Grasp the receiver by the pistol grip with the safety selector on F (Fire), point the muzzle in a **SAFE DIRECTION**, and squeeze the trigger slowly several times (grip safety fully depressed)—the sear should depress and snap back without hangup.
5. Reassemble the **Magazine Assembly** (*see page 47*).
6. Reassemble the pistol as follows:
  - a. Install the **Moving Mechanism** (*see page 44*).
  - b. Install the **Receiver Cover Assembly** (*see page 42*).
  - c. Install the **Barrel and Retaining Nut** (*see page 40*).
7. Perform **Function Test of Manual Safeties** (*see page 25*).

### End of Task

## 13.2 Pre-Firing Maintenance

1. Perform **Unloading and Safety Check** (*see page 24*).
2. Perform **Field Stripping** (*see page 38*).
3. Wipe out sand and dust from external parts with the general cleaning brush.
4. Clean and lubricate according to **step 4 of Periodic Maintenance** procedure (*see page 35*).
5. Pass the cleaning rod with clean cleaning patch through the barrel and chamber to be sure the bore is not obstructed and to remove any grease or excess oil.
6. Perform **Function Test of Manual Safeties** (*see page 25*).

### End of Task

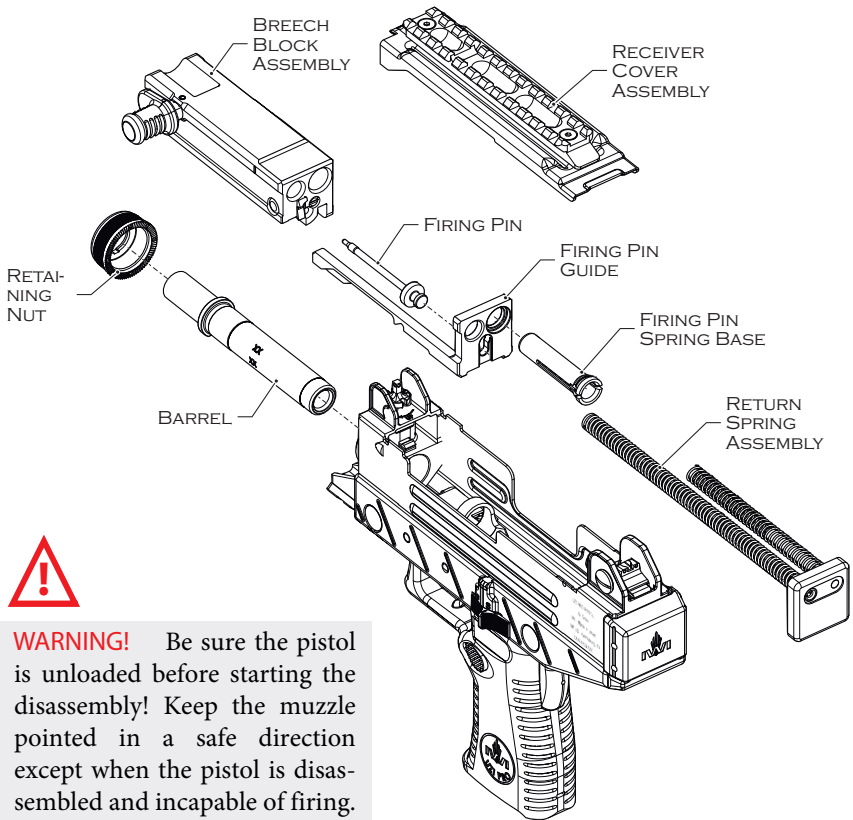
## 13.3 Post-Firing Maintenance

1. Perform **Unloading and Safety Check** (*see page 24*).
2. Perform **Field Stripping** (*see page 38*).
3. Clean and lubricate according to **step 4 of Periodic Maintenance** procedure (*see page 35*).
4. Reassemble the pistol as follows:
  - a. Install the **Moving Mechanism** (*see page 44*).
  - b. Install the **Receiver Cover Assembly** (*see page 42*).
  - c. Install the **Barrel and Retaining Nut** (*see page 40*).
5. Perform **Function Test of Manual Safeties** (*see page 25*).

### End of Task

# 14 Disassembly & Reassembly Instructions

## 14.1 Field Stripping



**WARNING!** Be sure the pistol is unloaded before starting the disassembly! Keep the muzzle pointed in a safe direction except when the pistol is disassembled and incapable of firing.

To field strip the UZI® PRO pistol, perform the following tasks:

1. Remove the **Barrel and Retaining Nut** (*see page 39*).
2. Remove the **Receiver Cover Assembly** (*see page 41*).
3. Remove the **Moving Mechanism**—Breech Block, Firing Pin Guide Assembly, Return Spring Assembly (*see page 43*).

## 14.1.1 Removal/Installation of Barrel and Retaining Nut

### Tools

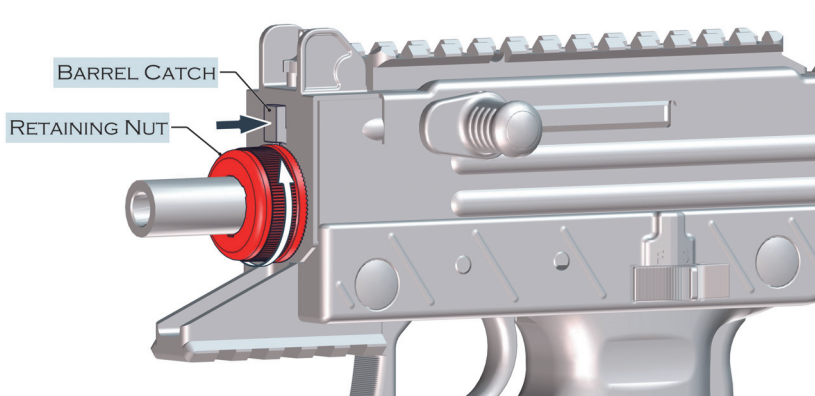
### Initial Setup

none

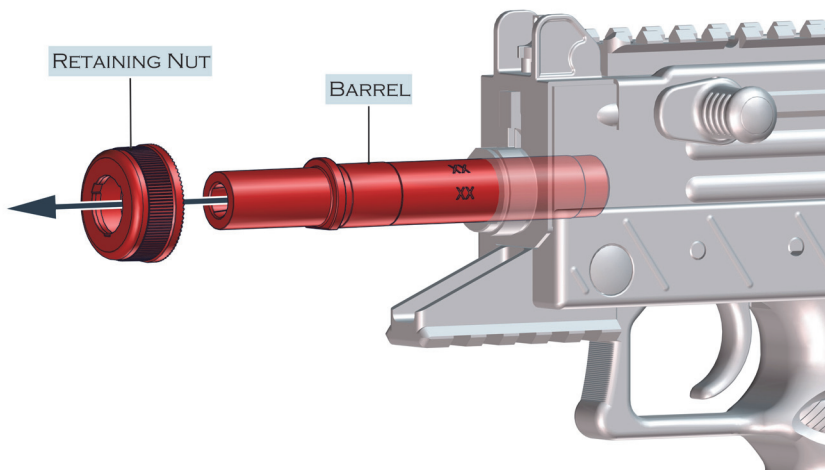
Unloading and Safety Check of the pistol performed (see page 24).

### Removing the Barrel and Retaining Nut

1. Depress the barrel catch with one hand and unscrew the retaining nut with the other hand.



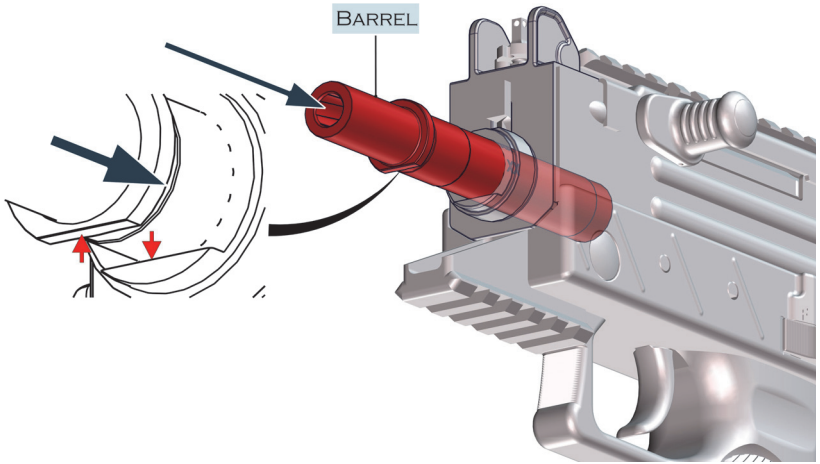
2. Remove the retaining nut and pull the barrel out of the receiver.



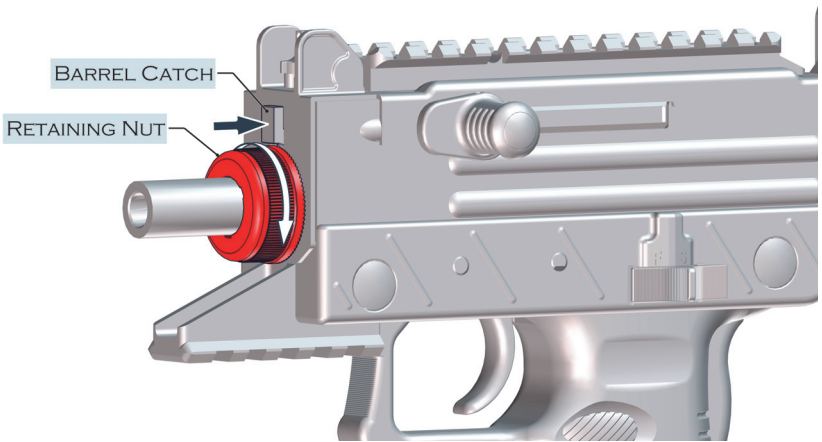
### End of Task

## Installing the Barrel and Retaining Nut

1. Insert the barrel into place. Make sure that the flats on the barrel line up with the flats on the barrel housing protrusion.



2. Depress the barrel catch and hand tighten the retaining nut until fully seated (until clicking noise stops).



### NOTE

*If the barrel is not fully seated, turning the retaining nut does not produce a clicking noise.*

## End of Task

## 14.1.2 Removal/Installation of Receiver Cover Assembly

### Tools

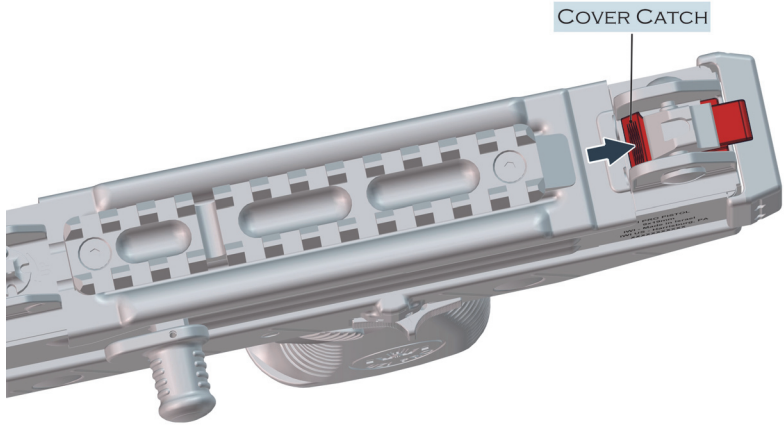
### Initial Setup

none

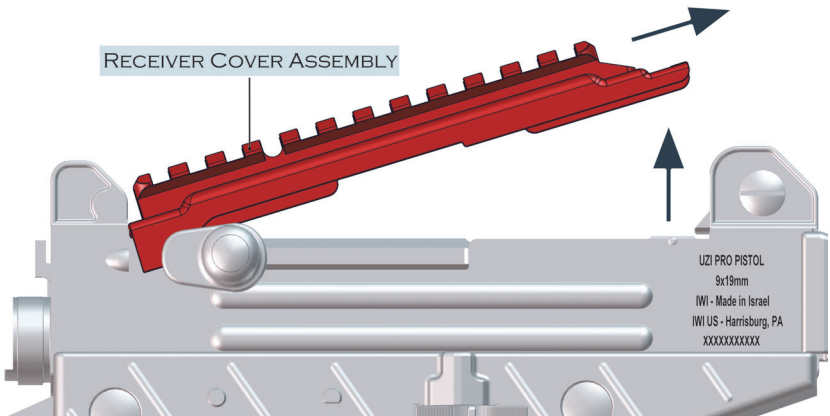
Unloading and Safety Check of the pistol performed (*see page 24*).

### Removing the Receiver Cover Assembly

1. Hold down the receiver cover; push the cover catch to the rear.



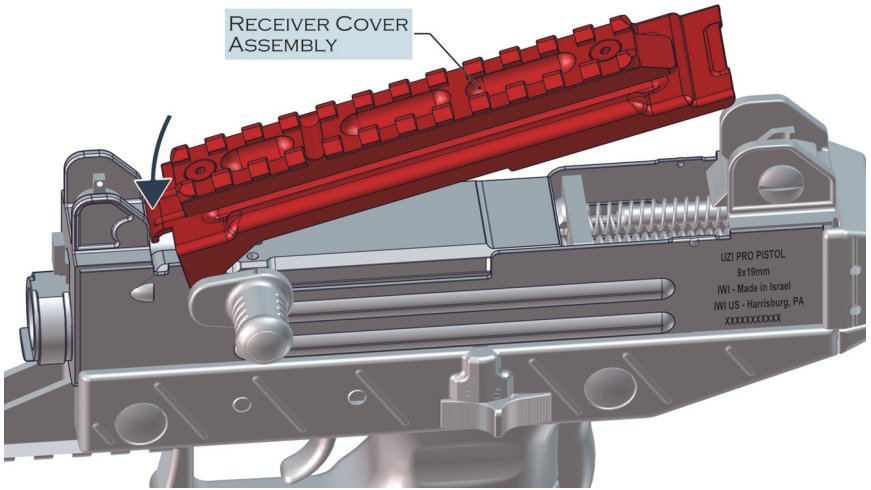
2. Remove the receiver cover assembly by lifting upward and rearward.



### End of Task

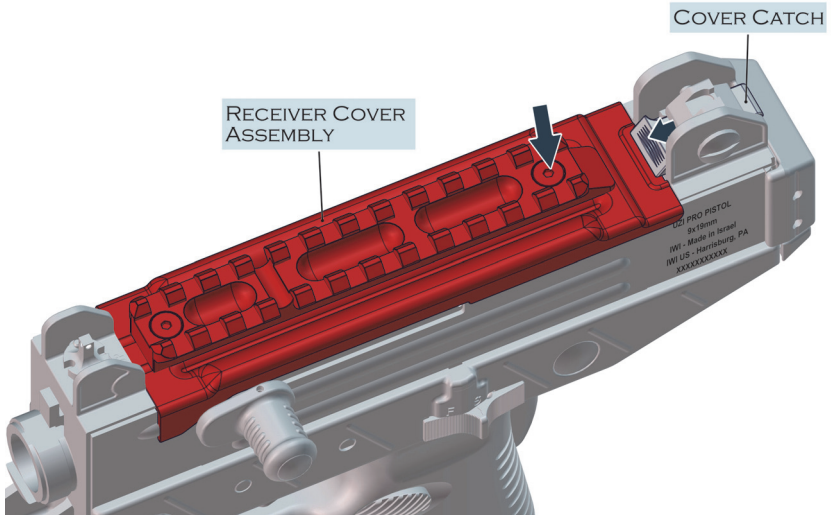
## Installing the Receiver Cover Assembly

1. Insert the front end of the receiver cover (narrow end) in the recess under the front sight.



2. Lower the rear end of the receiver cover until it rests on top of the cover catch.

Firmly knock the cover so that the cover catch snaps into place. Check that the catch is fully forward.



## End of Task



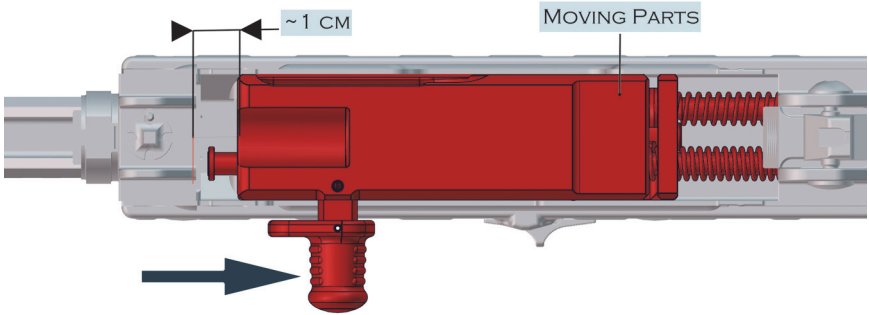
## 14.1.3 Removal/Installation of Moving Mechanism

### Tools Initial Setup

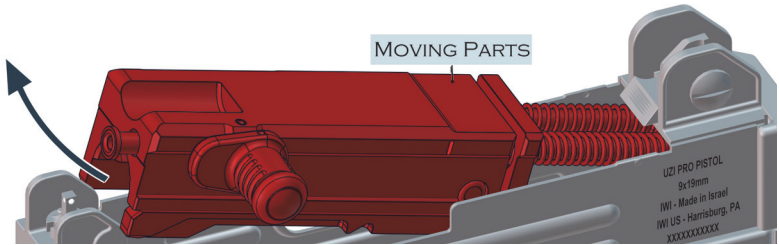
- 1 **Unloading and Safety Check** of the pistol performed (*see page 24*).
- 2 **Receiver Cover Assembly** removed (*see page 41*).

### Removing the Moving Mechanism

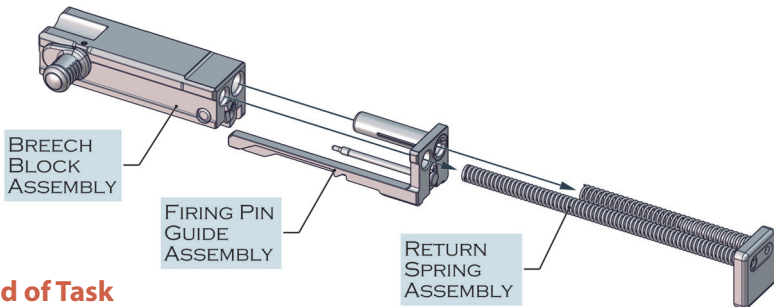
1. Pull the breech block about 1 cm back.



2. Lift the breech block and remove it from the receiver together with the return spring assembly and the firing pin guide assembly.



3. Separate the return spring assembly, the firing pin guide assembly, and the breech block.



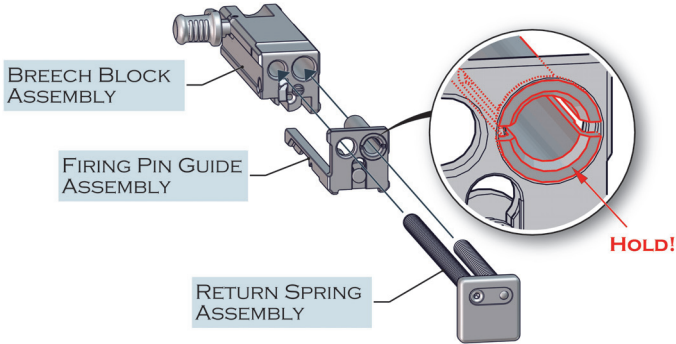
**End of Task**

## Installing the Moving Mechanism

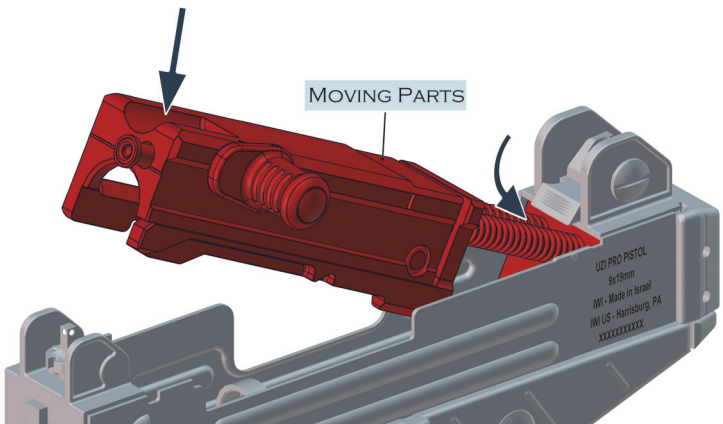
1. Insert the return spring assembly and the firing pin guide assembly into the corresponding bores at the back of the breech.



**CAUTION!** When assembling the moving mechanism, use your thumb to keep the firing pin base from falling as shown in **step 2** of **Assembling the Firing Pin Guide Assembly** (see page 45).



2. Holding the entire mechanism, guide the back end of the return spring (breech buffer) into the rear of the receiver. Push the moving mechanism backward and down until the bottom surface of the breech touches the receiver.



## End of Task

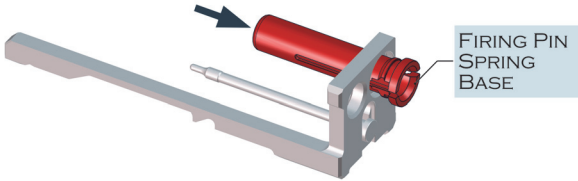
## 14.1.4 Disassembly/Reassembly of Firing Pin Guide Assembly

**Tools** Initial Setup

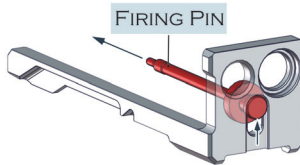
none Moving Mechanism removed (*see page 43*).

### Disassembling the Firing Pin Guide Assembly

1. Carefully, separate the firing pin spring base from the firing pin guide.



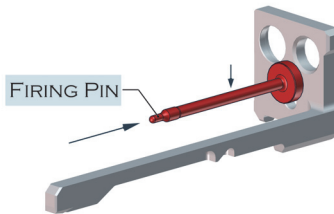
2. Lift the firing pin in its slot to release the stopper and push out of the firing pin guide.



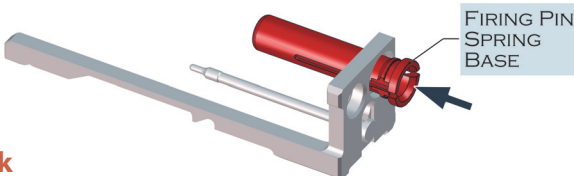
**End of Task**

### Assembling the Firing Pin Guide Assembly

1. Install the firing pin in its designated place.



2. Install the firing pin base in its designated place.



**End of Task**

## 14.2 Disassembly/Reassembly of Magazine Assembly

### Equipment and Tools

- magazine assembly
- small pointy object

### Initial Setup

All rounds removed from the magazine.



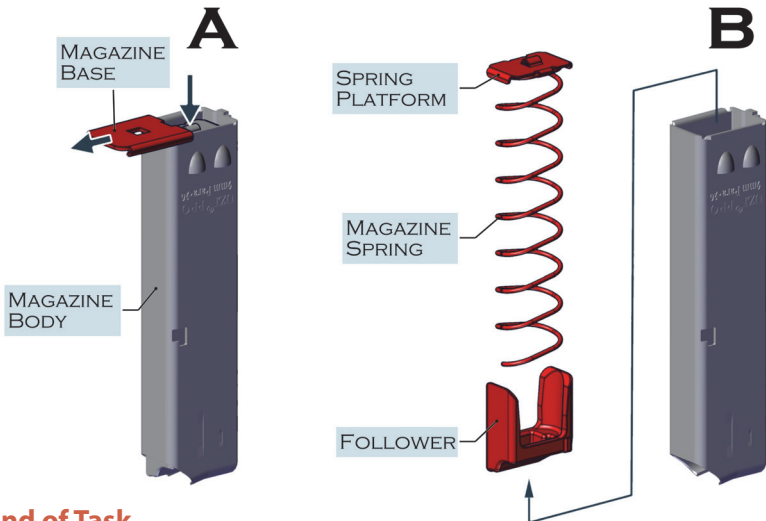
**WARNING!** The magazine spring is under pressure and can fly out and cause injury if not held in place during assembly and disassembly. Do not point magazine base toward your face or another person.

### Disassembling the Magazine Assembly

1. Hold the magazine assembly with the base facing upwards.

Using a small pointy object, press the magazine spring into the magazine and push the magazine base out (A) until it comes to a stop (until the spring platform protrusion becomes visible at the edge of the base). While holding the spring platform down with your thumb, remove the magazine base.

2. Using both hands, ease the magazine spring assembly and follower out of the magazine body (B).



### End of Task

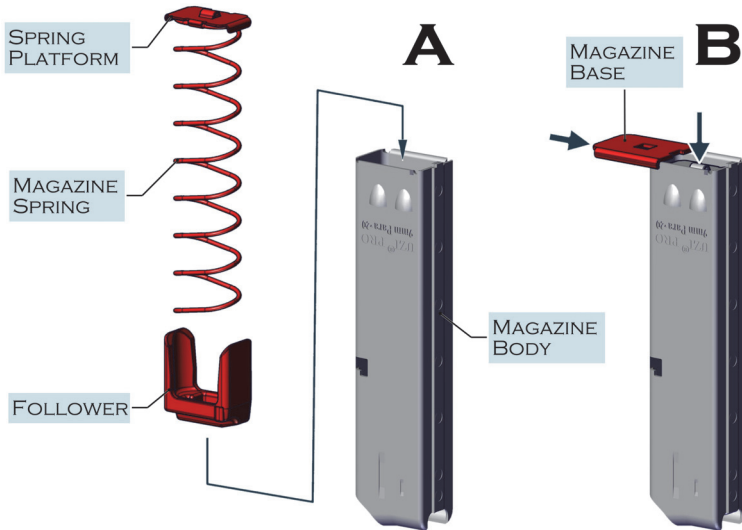
## Assembling the Magazine Assembly

1. Hold the magazine body with the lips downward.

Hold the follower with the legs up and the tapered side facing the rear wall of the body (A) and drop the follower into place.

Hold the magazine spring assembly vertical with the spring platform up; insert the magazine spring assembly into the magazine body (A).

2. Compress the magazine spring so that the spring platform is slightly below the bottom of the magazine body. While holding the spring platform down with your thumb, insert the magazine base and push home until the platform locks (B).



### End of Task



**STOP!** You should not disassemble your UZI® PRO pistol any further, unless you are a factory-trained and certified armorer.



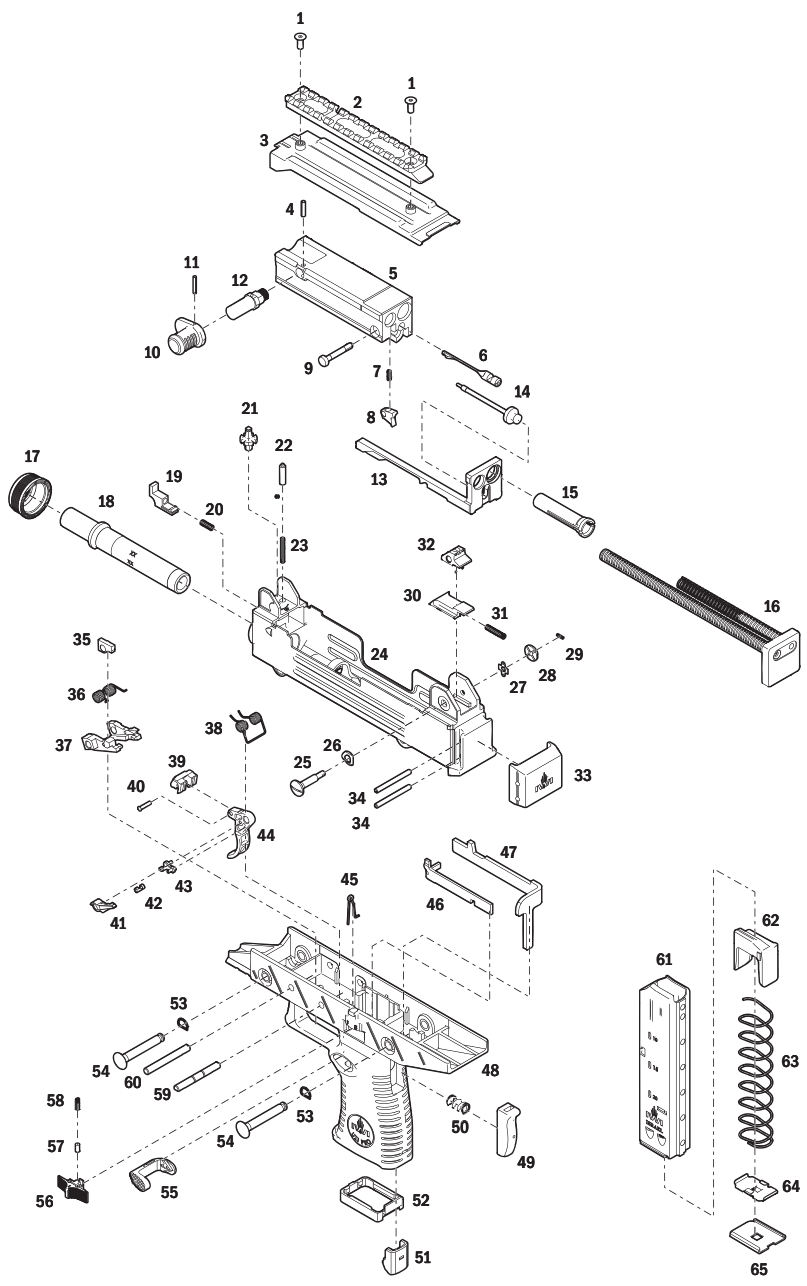
**WARNING!** Further disassembly by individuals who are not factory-trained and certified as UZI® PRO armorers can result in damage to or destruction of the pistol, voiding of the warranty, and possibly the creation of **UNSAFE CONDITIONS THAT COULD RESULT IN DEATH OR SERIOUS INJURY.**

# 15 Parts Lists & Exploded View Diagrams

## 15.1 UZI® PRO Semi-Auto Pistol (UPP9S)

#	Description	Qty
1	Connecting Screw	2
2	Picatinny Rail	1
3	Body Cover Subassembly	1
4	Securing Pin	1
5	Breech Block	1
6	Extractor	1
7	Block Spring	1
8	Blocking Latch	1
9	Extractor Pin	1
10	Polymer Cover	1
11	Securing Pin	1
12	Cocking Handle	1
13	Firing Pin Guide	1
14	Firing Pin	1
15	Firing Pin Spring Base	1
16	Return Spring Assembly	1
17	Retaining Nut	1
18	Barrel	1
19	Barrel Catch	1
20	Catch Spring	1
21	Front Sight	1
22	Front Sight Plunger	1
23	Plunger Spring	1
24	Body Sub-Subassembly	1
25	Windage Screw	1
26	Washer	1
27	Windage Spring Drum	1
28	Windage Drum	1
29	Windage Drum Pin	1
30	Cover Catch	1
31	Cover Catch Spring	1
32	Rear Sight	1
33	Stock Base Cover	1

#	Description	Qty
34	Connecting Pin	2
35	Disconnecter Stop	1
36	Sear Spring	1
37	Sear	1
38	Trigger Spring	1
39	Disconnecter	1
40	Disconnecter Rivet	1
41	Firing Pin Block	1
42	Connecting Rod	1
43	Gear Reverse	1
44	Trigger	1
45	Catch Spring	1
46	Safety Selector Lever	1
47	Grip Safety	1
48	Body Subassembly	1
49	Safety Button	1
50	Safety Spring	1
51	Magazine Housing Cap	1
52	Magazine Stop Insert	1
53	Locking Pin Spring	2
54	Locking Pin	2
55	Magazine Catch	1
56	Safety Selector	1
57	Safety Selector Plunger	1
58	Safety Button Spring	1
59	Trigger Pin	1
60	Sear Pin	1
61	Magazine Body	1
62	Follower	1
63	Magazine Spring	1
64	Spring Platform	1
65	Magazine Base	1

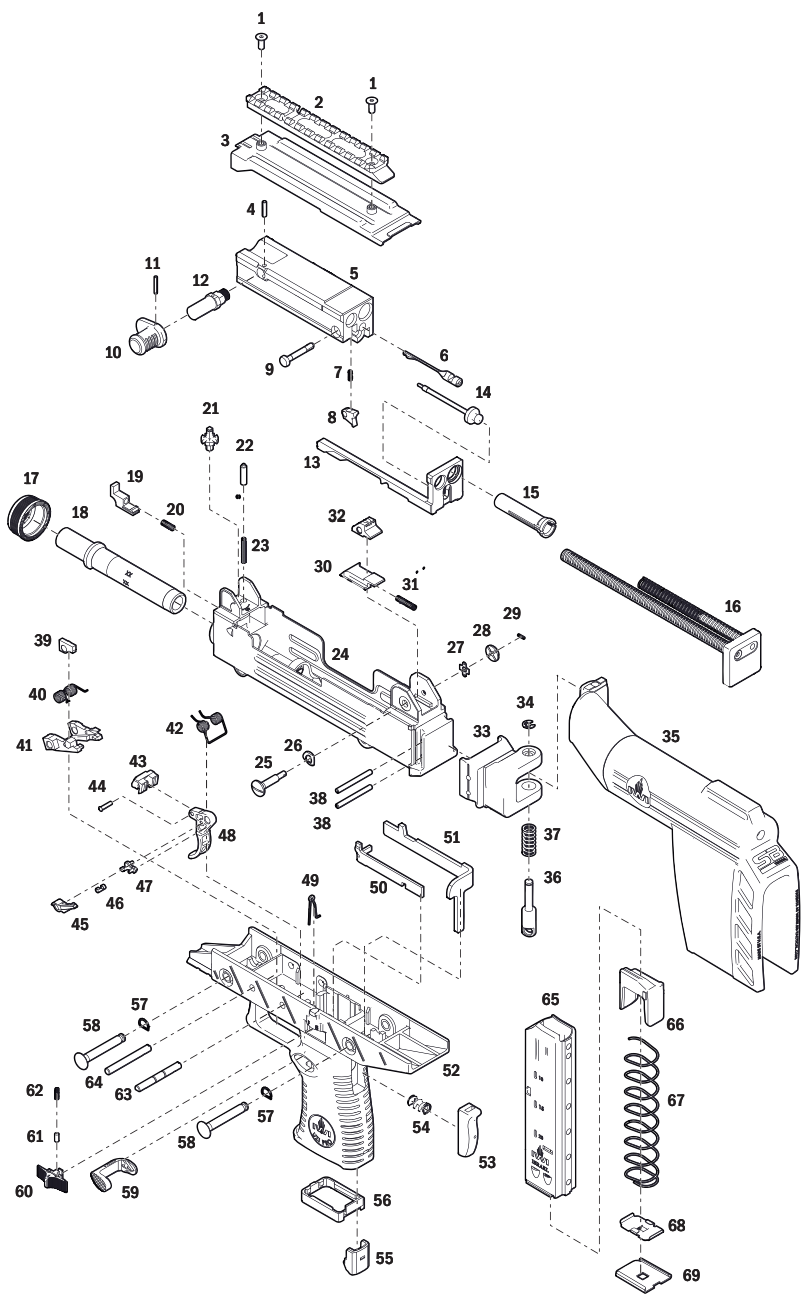


## 15.2 UZI® PRO SB Semi-Auto Pistol (UPP9SB)

#	Description	Qty
1	Connecting Screw	2
2	Picatinny Rail	1
3	Body Cover Subassembly	1
4	Securing Pin	1
5	Breech Block	1
6	Extractor	1
7	Block Spring	1
8	Blocking Latch	1
9	Extractor Pin	1
10	Polymer Cover	1
11	Securing Pin	1
12	Cocking Handle	1
13	Firing Pin Guide	1
14	Firing Pin	1
15	Firing Pin Spring Base	1
16	Return Spring Assembly	1
17	Retaining Nut	1
18	Barrel	1
19	Barrel Catch	1
20	Catch Spring	1
21	Front Sight	1
22	Front Sight Plunger	1
23	Plunger Spring	1
24	Body Sub-Subassembly	1
25	Windage Screw	1
26	Washer	1
27	Windage Spring Drum	1
28	Windage Drum	1
29	Windage Drum Pin	1
30	Cover Catch	1
31	Cover Catch Spring	1
32	Rear Sight	1
33	Stock Adapter Assembly	1
34	Retaining Ring	1
35	Stabilizing Brace Assembly	1

#	Description	Qty
36	Connecting Pin	1
37	Stock Spring	1
38	Connecting Pin	2
39	Disconnecter Stop	1
40	Sear Spring	1
41	Sear	1
42	Trigger Spring	1
43	Disconnecter	1
44	Disconnecter Rivet	1
45	Firing Pin Block	1
46	Connecting Rod	1
47	Gear Reverse	1
48	Trigger	1
49	Catch Spring	1
50	Safety Selector Lever	1
51	Grip Safety	1
52	Body Subassembly	1
53	Safety Button	1
54	Safety Spring	1
55	Magazine Housing Cap	1
56	Magazine Stop Insert	1
57	Locking Pin Spring	2
58	Locking Pin	2
59	Magazine Catch	1
60	Safety Selector	1
61	Safety Selector Plunger	1
62	Safety Button Spring	1
63	Trigger Pin	1
64	Sear Pin	1
65	Magazine Body	1
66	Follower	1
67	Magazine Spring	1
68	Spring Platform	1
69	Magazine Base	1





---

## 16 Limited Product Warranty

---

- 1 This Warranty is given by "IWI US, Inc." solely to the original purchaser (the "Purchaser") of IWI US, Inc.'s UZI® PRO Semi-Auto Pistol (the "Product") for a period of 5 years commencing from the date of Product retail purchase (the "Warranty Period").
- 2 Subject to the limitations and exclusions contained below, IWI US, Inc. warrants the Product to be free from defects in design, materials and workmanship. Consequently, should any failure to conform to this Warranty be discovered and brought to the attention of IWI US, Inc. during the Warranty Period, and be substantiated by examination at IWI US, Inc.'s facility or by duly authorized and certified field personnel on IWI US, Inc.'s behalf, IWI US, Inc., at its sole option and free of charge, shall either repair, replace or refund the purchase price of any non-conforming Product.
- 3 This Warranty shall only apply provided that:
  - 3.1 The Product has been transported and stored, handled, maintained, operated and used properly; all in accordance with IWI US, Inc.'s instructions found in this manual.
  - 3.2 No changes, repairs or services were made to the Product by any party other than IWI US, Inc. or an authorized representative of IWI US, Inc.
  - 3.3 The Product was not damaged as a result of improper operation, misuse (whether intentional or otherwise), abuse, negligence, accident or flood, fire, earthquake or other external causes.
  - 3.4 Only appropriate, non-defective new commercial ammunition was fired from the Product.
  - 3.5 The defective Product and/or defective parts shall have been returned by the Purchaser to IWI US, Inc. immediately upon request in conformance with IWI US, Inc.'s return procedures.
- 4 This Warranty does not apply to:
  - 4.1 Maintenance, repair or replacement of parts due to normal wear and tear.
  - 4.2 Expendable items such as batteries (including battery leaks), bulbs, cleaning supplies and other consumables.
  - 4.3 Firing the Product with an obstruction in the barrel.

- 4.4 Any cosmetic damage that does not impede form, fit, and function of the Product.
- 4.5 Products that show evidence of tampering.
- 4.6 IWI US, Inc. does not warrant that the operation of the product will be uninterrupted, or error-free, or free of stoppages or malfunctions.
- 5 In the event a Product returned to IWI US, Inc. is not defective in design, materials or workmanship or not returned within the Warranty Period, a test and evaluation charge, as determined by IWI US, Inc. will apply.
- 6 No implied warranty is made to any accessory items attached or appurtenant to the Product.
- 7 IWI US, Inc. will be the sole determining evaluator and authority for adjudicating Warranty claims hereunder.
- 8 THE REPAIR, REPLACEMENT, OR REFUND AS PROVIDED HEREIN ABOVE IS THE SOLE AND EXCLUSIVE REMEDY OF THE PURCHASER, AND IS PROVIDED IN LIEU OF ALL OTHER WARRANTIES, EXPRESS OF IMPLIED, INCLUDING, WITHOUT LIMITATION, THE IMPLIED WARRANTIES OF MERCHANTABILITY, FITNESS FOR A PARTICULAR PURPOSE, NON-INFRINGEMENT, COURSE OF DEALING AND USAGE OF TRADE. IN NO EVENT SHALL IWI US, Inc. BE LIABLE TO PURCHASER, PURCHASER'S CUSTOMERS OR ANY THIRD PARTY, WHETHER IN CONTRACT OR TORT (INCLUDING NEGLIGENCE AND STRICT LIABILITY) FOR DAMAGES IN EXCESS OF THE PURCHASE PRICE OF THE PRODUCT, OR FOR ANY INDIRECT, INCIDENTAL, SPECIAL, PUNITIVE, OR CONSEQUENTIAL DAMAGES OR EXPENSES OF ANY KIND, OR PERSONAL INJURIES OR DAMAGE TO PROPERTY OF ANY KIND OR CHARACTER, OR LOSS OF REVENUE OR PROFITS, LOSS OF USE, LOSS OF BUSINESS, LOSS OF INFORMATION OR DATA OR OTHER FINANCIAL LOSS ARISING OUT OF OR IN CONNECTION WITH THE ABILITY OR INABILITY TO USE THE PRODUCT TO THE FULL EXTENT THESE DAMAGES MAY BE DISCLAIMED BY APPLICABLE LAW.
- 9 Some states do not allow the exclusion of consequential or incidental damages, so the above limitations may not apply to you.

---

## 17 Repair Services

---

If you need assistance with your firearm, please call +1 (717) 695-2081, Monday through Friday, 9:00AM to 4:30PM US Eastern time and ask to speak to Customer Service. If it is determined that shipment of your firearm to IWI US, or an authorized IWI US, Inc. Service Center is warranted, please prepare and ship as follows:

1. Request a Return Authorization number (RA#) from the IWI US, Inc. Customer Service Representative. Please note that IWI US, Inc. will refuse return/repair shipments without a RA#.
2. Record the serial number of your firearm before packing and shipping.
3. Check to make sure your firearm is unloaded.
4. Remove all accessories from the firearm to prevent loss or damage. IWI US, Inc. will not be responsible for any loss or damage to non-IWI US, Inc. firearms or accessories.
5. Pack your firearm in the original box. If the original box is not available, pack your firearm in a box that will protect it from any handling and/or shipping damage. Be sure that there are no markings and/or words on the outside of the box that indicate there is a firearm inside the box. This will help to deter theft of the firearm while in-transit to IWI US, Inc.
6. Enclose a letter with the firearm detailing the model name and serial number of your firearm along with a full description of the problem. Be sure to include your full name and street address city and state, including zip code, daytime telephone number and email address.
7. Ship your firearm by UPS, FedEx or USPS (US Postal Service). IWI US, Inc. is not responsible for damage or loss during shipment, so you may elect to purchase insurance from the carrier. Ship to the following address:

IWI US, Inc.  
Attn. Service Department  
RA# \_\_\_\_\_  
1441 Stoneridge Drive  
Middletown, PA 17057



**WARNING!**

**DO NOT SEND LIVE AMMUNITION OR SPENT (FIRED) SHELLS/CARTRIDGES IN YOUR FIREARM OR IN THE SAME BOX WITH YOUR FIREARM. THIS IS A VIOLATION OF FEDERAL LAW. IF YOU FEEL YOU MUST SEND SPENT (FIRED) SHELLS/CARTRIDGES, PLEASE SHIP THEM IN A SEPARATE PACKAGE AND INCLUDE A COPY OF THE LETTER THAT YOU PACKED WITH YOUR FIREARM.**



Copyright © 2020 by IWI US, Inc.

In the interest of product improvement, its design and performance characteristics may be changed at any time without prior notice.



## **CARDINAL RULES OF FIREARMS SAFETY**

- **TREAT ALL GUNS AS IF THEY WERE LOADED.**
- **POINT THE MUZZLE IN A SAFE DIRECTION AT ALL TIMES. (A "SAFE DIRECTION" IS ONE IN WHICH NO ONE WOULD BE INJURED IF THE GUN WERE TO DISCHARGE.)**
- **KEEP YOUR FINGER OFF THE TRIGGER AND OUTSIDE THE TRIGGER GUARD UNTIL YOU ARE AIMED AT A SAFE TARGET AND INTEND TO FIRE.**
- **BE SURE OF YOUR TARGET AND WHAT'S AROUND AND BEYOND IT.**
- **WHEN YOU PICK UP A GUN THAT, EVEN FOR AN INSTANT, HAS BEEN OUT OF YOUR DIRECT, CONTINUOUS CONTROL, THE FIRST THING YOU MUST DO, WHILE FOLLOWING THE ABOVE RULES, IS TO OPEN THE GUN'S ACTION (MECHANISM) AND DETERMINE WHETHER OR NOT THE GUN IS LOADED.**
- **ALL GUNS LEFT UNATTENDED, EVEN BRIEFLY, MUST BE MADE INOPERABLE OR INACCESSIBLE TO CHILDREN AND OTHER UNAUTHORIZED USERS.**

**IWI US, Inc.**

IWI US, Inc. • 1441 Stoneridge Drive • Middletown, PA 17057

• Tel: +1 (717) 695-2081 • Fax: +1 (717) 412-0873 •