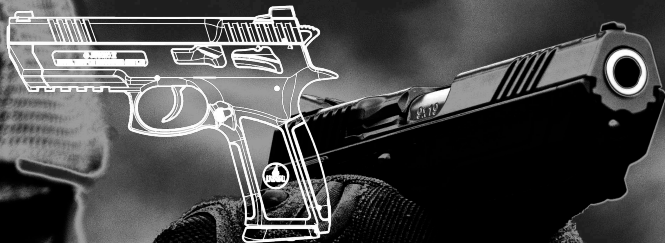


JERICO II/II-M™

SEMI AUTOMATIC PISTOL
9X19mm PARABELLUM



OPERATION MANUAL



This Operator Manual should always accompany this firearm and be transferred with it upon change in ownership, or when the firearm is loaned or transferred to another person. Read the instructions and warnings in this manual carefully and understand them before using this firearm. If there is anything you do not understand, seek advice from your retailer or someone qualified in the safe handling of firearms, or contact IWI US, Inc. at Tel: +1 (717) 695-2081 or services@iwi.us.



Congratulations on your purchase of the JERICO II/II-M™ Pistol

Your packaging includes:

1. Gun Box.
2. Instruction Manual.
3. Two Magazines.
4. JERICO II™ Pistol.
5. Gun Cable Lock.
6. Backstraps (three sizes - small / medium / large).

If you notice that anything is missing from the above list, please contact IWI US customer service at either info@iwi.us or call +1717-695-2081.

We appreciate your business.

IWI US, Inc.

TABLE OF CONTENTS

WARNINGS AND PRECAUTIONS	VI
FIREARMS SAFE HOME STORAGE CHECKLIST	XVI
SAFETY PRECAUTIONS	XX
PREFACE	1
GENERAL DESCRIPTION AND CHARACTERISTICS	2
OVERVIEW JERICO II / II-M™ PARTS	4
OPERATING PRINCIPLES	5
OPERATING INSTRUCTIONS	7
SIGHTS AND ZEROING	11
LOADING AND FIRING	12
DISASSEMBLY AND ASSEMBLY	17
CARE AND CLEANING	27
TROUBLESHOOTING	30
LIMITED PRODUCT WARRANTY	34
REPAIR SERVICES	37



WARNING

PRIOR TO REMOVING THIS GUN FROM ITS PACKAGING, AND PRIOR TO HANDLING, LOADING AND FIRING, CAREFULLY AND THOROUGHLY READ AND UNDERSTAND THIS ENTIRE OPERATOR MANUAL WHICH GIVES ADVICE ON THE FIREARM'S PROPER HANDLING, FUNCTIONING AND SAFE USE. YOUR SAFETY AND THAT OF OTHERS (INCLUDING YOUR FAMILY) DEPENDS ON YOUR RESPONSIBLE COMPLIANCE WITH THAT ADVICE, GOOD JUDGMENT AND COMMON SENSE. **FIREARMS SAFETY DEPENDS ON YOU.** YOU CANNOT FORGET, YOU CANNOT OVERLOOK, YOU CANNOT ALLOW YOURSELF TO BE DISTRACTED, YOU CANNOT BECOME COMPLACENT OR CASUAL WITH FIREARMS. THERE ARE NO "FOOLPROOF" FIREARMS. ONCE A SHOT IS FIRED, IT CANNOT BE CALLED BACK. A FIREARM IN YOUR HANDS CAN CAUSE UNINTENDED DEATH OR SERIOUS BODILY HARM IF YOU FAIL TO FOLLOW SAFE GUN HANDLING RULES AND PRACTICES SUCH AS THOSE CONTAINED IN THIS MANUAL. **REMEMBER, FIREARMS SAFETY DEPENDS ON YOU!**

IF UNFAMILIAR WITH FIREARMS, SEEK SUPERVISED INSTRUCTION FROM A CERTIFIED INSTRUCTOR.

MANUAL CONTENTS

- Important **WARNINGS** and **SAFETY PRECAUTIONS** that must be read and understood before using this firearm. **SAFE GUN HANDLING IS YOUR PERSONAL RESPONSIBILITY AT ALL TIMES.** Disregarding the warnings and safety precautions in this manual can result in injury or death to you and others and damage to property.
- Directions and procedures for handling, loading, firing, unloading, disassembling and assembling this firearm.

This Operator Manual is designed to help you in learning how to properly and safely use and care for your JERICH0 II/II-M™. Only when you are certain you have fully familiarized yourself with the function of your firearm, should you practice loading, unloading, and firing with live rounds of ammunition at a firing range or other safe location.

This Operator Manual should always accompany the firearm and be transferred with the firearm on change of ownership or possession. Should you ever need to replace it, this manual is available FREE upon request from IWI US, Inc. or on the IWI US, Inc.

Website at <https://iwi.us/Support/Manuals-Catalog>.



AMMUNITION WARNING

- Use only original, high quality commercial manufactured ammunition that is in good condition. Use only ammunition of the caliber your pistol is chambered for. You can find the correct caliber engraved on the side of the barrel. Never use ammunition of any other caliber.
- Always use ammunition that complies with the performance standards established by the Sporting Arms and Ammunition Manufacturers' SAAMI Institute, Inc. C.I.P, NATO or MIL STD. The use of hand-loaded, reloaded or other non-standard ammunition voids all warranties.
- Never try to fire a cartridge that is heavily corroded, dented, or one that has a loose bullet.
- Never try to clean a cartridge with gasoline (petrol) or any other inflammable material, detergents, or solvents.

ICONS IN THIS MANUAL

Before you start, familiarize yourself with the icons you will see in the manual.

	Warning
	Pay Attention
	Additional Information
	Procedure
	Process
	Safety Regulation

The illustrations in this manual may differ slightly from the actual product.

WARNINGS AND PRECAUTIONS

Cardinal Rules of Firearms Safety

- Treat all guns as if they were loaded.
- Point the muzzle in a safe direction at all times.
(A “safe direction” is one in which no one would be injured if the gun were to discharge.)
- Keep your finger off the trigger, straight along the frame and superior to the trigger until you are aimed at a safe target and intend to fire.
- Be sure of your target and what's around and beyond it.
- When you pick up a gun that, even for an instant, has been out of your direct, continuous control, while following the above rules, open the gun's action and determine whether or not the gun is loaded.
- All guns left unattended, even briefly, must be made inoperable or inaccessible to children and other unauthorized users.

Failure to comply with the warnings and precautions in this booklet may result in serious injury to you or others and/or damage the firearm or other property. Take note of the following warnings on the gun handling before attempting to use the pistol:

Always check the chamber and magazine of any firearm before handling.

- Keep guns and ammunition separate and in locked storage.
- Don't shoot unless absolutely sure of your target and what is beyond it.
- Always wear eye and ear protection when shooting.
- Always be sure the barrel is clear of obstructions.
- Only carry ammunition specifically intended for the gun you are using.
- Never use alcohol or drugs of any kind while using your firearm.



WARNING! If your gun misfires with a live round in the chamber of a hot barrel, immediately remove the round while keeping the barrel pointed in a safe direction and the ejection port turned away from your face.

If you are unable to remove the live round within 10 seconds, remove the magazine, keep the gun pointed in a safe direction, and wait 15 minutes for the barrel to cool. Then remove the round.



WARNING! Be sure the barrel is clear of obstructions before shooting. Never fire your gun with water, grease, excess oil, or any other obstruction in the barrel this could cause the gun to explode!



WARNING! If you notice an obvious change in sound and recoil while firing, **STOP FIRING!**

The cause for either condition could be incomplete powder burn, a cartridge with a primer but no powder (“SQUIB LOAD”) or too little powder, and/or a bullet stuck in the bore. Immediately unload the gun and remove the slide and barrel (see Disassembling the Pistol on page 17); then check for unburned powder residue in the bore and the receiver or a bullet stuck in the bore. Remove the unburned powder before resuming firing. If a bullet is stuck in the bore, have a qualified gunsmith take care of the problem. Never try to “SHOOT OUT” a bullet stuck in the bore. Firing with unburned powder in the barrel or a bullet stuck in the bore could cause the barrel to explode causing serious injury or death.



WARNING! Careless and improper handling of this gun could result in unintended discharge, causing injury, death or property damage. Safety must be the first and constant consideration when handling a firearm and ammunition. **SAFETY DEPENDS ON YOU.**



WARNING! This firearm is designed to function properly in its original condition. Do not alter any parts. Do not replace any parts unless you are factory-trained to do so and then use only original factory parts from **IWI US, Inc.**



WARNING! The firearm should be transported in quality gun case or holster that blocks access to the trigger.

Important Note:

This Operator Manual and the instructions and warnings contained in it are intended for the civilian recreational user, target shooter, or hunter, and not necessarily for the law enforcement, security, military, or other “defensive” user. Defensive use of this or any other firearm involves unusual, serious risks, and may at times require deviation from certain safety rules and gun handling procedures contained in this manual. Such defensive procedures and deviations are beyond the scope of this manual. In order to use such defensive procedures safely requires intensive initial training and qualification from a proper professional source, followed by “in service” training and qualification at appropriate intervals. Anyone who has not been properly and professionally trained in defensive gun handling procedures should not attempt to use this firearm in any manner other than as set out in this Operator Manual. Doing so can result in serious injury or death.



WARNING! Always handle and treat your firearm as if it were loaded so you will never fire it accidentally when you mistakenly think it is unloaded. Never take anyone's word that it is unloaded. Always check it yourself with your fingers off the trigger and the gun pointed in a safe direction. Even after you have confirmed that the gun is unloaded, continue to treat it as if it were loaded.



WARNING! Never place your fingers inside the trigger guard area unless you are aiming at a proper target and intend to fire. Instead, keep your trigger finger straight along the frame of the pistol until you intend to fire. Do not pull the trigger or attempt to fire until the safety selector has been moved to the FIRE position.



DANGER! DO NOT grasp the forward portion of the trigger guard/pistol grip frame with your non-shooting hand or allow any fingers of your non-shooting hand to enter the trigger guard at any time. If you do so, there is a chance your non-shooting hand or fingers could touch the trigger, unintentionally firing the firearm and resulting in death or serious injury.



WARNING! If your finger is on the trigger or inside the trigger area, you may unintentionally discharge the firearm if you are startled, if you lose your balance, if you exert muscular force with your other hand or arm or with either leg, or if something comes in contact with your hand, arm, or the gun. Always keep the safety on "Safe" and your finger outside the trigger area, wrapped around the grip or braced on the gun's frame, until you intend to fire.



WARNING! Upon firing, a hot, empty shell casing is forcefully ejected from the right side of the firearm. All persons present must wear suitable eye protection, and must stand clear of the case ejection area.



WARNING! Keep the muzzle of the gun pointed in a safe direction at all times. A safe direction is one in which a negligently discharged round will not cause any physical injury or property damage. Never let the muzzle of a firearm point at any part of your body or another person, or in any direction where an injury may result if the gun were to fire. Always be sure of your target and what's beyond and around it before firing.



WARNING! UNLOAD ALL FIREARMS WHEN NOT IN USE. NEVER STORE A LOADED FIREARM. Firearms and ammunition should be stored separately under lock and key so that they are inaccessible to children or unauthorized users. Never leave a loaded firearm, or any firearm or ammunition, unattended where an unauthorized user might have access to it. At the range, any firearm you lay down on the shooting bench should be unloaded, with its action locked open. Never lean or place a firearm where it could slide or fall, such as leaning it against or placing it on a vehicle. Never let the muzzle of a firearm touch the ground, mud, sand or snow that might obstruct the bore, causing the barrel to burst when you fire. If you drop a firearm, pick it up carefully with it pointed in a safe direction (have all other people move out of the direction of the muzzle), with your finger outside the trigger area and the safety in the on "SAFE" position. Then unload the firearm, and check to be sure there are no obstructions in the bore. This can be done safely with a cleaning rod, or by disassembling the firearm and looking down the bore from the chamber (rear) end. If there is any possibility of damage to your JERICO II/II-M™, have it inspected by a qualified gunsmith, or return it to IWI US, Inc. for inspection, before you load or fire it again.



WARNING! Always make sure your firearm is not loaded before cleaning, storing, transporting or handing it to another person. Firearms should be transported unloaded and in a protective gun case.



WARNING! Whenever you pick up any firearm that, even for an instant, has been out of your direct, continuous control, perform a condition check on the weapon. While keeping the muzzle pointed in a safe direction and your fingers out of the trigger area, remove is to the firearm's action (mechanism) to determine whether or not it is loaded.



WARNING! Always wear and require others to wear wraparound ANSI or OSHA approved safety glasses while shooting to protect your eyes from injury by ejected shell cases, gun powder gas, lubricant, dirt or metallic particles, carbon residue, sparks, bullet splash back from targets or other debris.



WARNING! Always wear and require others to wear commercially manufactured ear protection when shooting. Without ear protection, the noise from your gun, and other guns close to you, could leave a “ringing” in the ears for some time after firing, and could result in permanent hearing loss.



WARNING! Learn the mechanical and handling characteristics of the firearm you are using. Not all firearms are the same, and your JERICO™ firearm has some unique features. Do not assume that just because you have experience with other firearms, you know how to use the JERICO™ firearm properly. Read and understand this manual. If there is anything you do not understand, contact your firearms retailer or IWI US, Inc. at services@iwi.us or telephone +1717-695-2081.



WARNING! Never climb or descend a tree, fence or wall, jump across a stream or ditch, or attempt to cross an obstacle, ice, or precarious terrain while carrying a loaded firearm unless the pistol is secured in a quality holster that blocks the trigger guard and retains the weapon.



WARNING! Do not shoot at a hard surface, such as rock, masonry or metal, or at water or ice. The bullet may ricochet and travel in unpredictable directions to strike you or another unintended person or object, or even an object that you cannot see.



WARNING! A bullet fired into the air can travel over one mile, and can kill or seriously injure someone when it comes down. Never fire into the air, or at a target or animal in a tree or on the crest of a hill.



WARNING! Before hunting with this or any other firearm, take an approved Hunter Safety Course, taught in all states by the state game commission or by the National Rifle Association (NRA). Follow your state's game laws at all times while hunting.



WARNING! Firing a gun near livestock or other domestic animals may startle them and cause them to injure themselves, other animals, or people, or to cause property damage. Think first before you discharge any firearm.



WARNING! If you have not received formal firearms instruction or if you have any doubts about your ability to handle or use this firearm safely, seek supervised instruction from a certified instructor. Information about sources of firearms instruction can often be obtained from your local police department, firearms retailer, gun club, shooting range, state game commission, or from the **National Rifle Association (“NRA”), 11250 Waples Mill Road, Fairfax, Virginia 22030, Telephone 1-703-267-1000 or 1-800-672-3888.**



WARNING! If at any time you notice something about the appearance or functioning of your JERICHO™ firearm that does not seem proper or that causes you concern, STOP, unload your firearm immediately, and do not load or fire your firearm until you have it inspected. If necessary, have the pistol repaired by a factory-trained armorer, or by IWI US, Inc. If you fire your JERICHO™ firearm extensively, have it professionally inspected and serviced periodically.



WARNING! Firearms and alcohol do not mix. Never drink alcoholic beverages or take drugs before or during shooting. This constitutes criminal disregard for your safety and that of others. Some medications can impair your vision, balance, reflexes, coordination, alertness or judgment. Never use a firearm while you are taking medication unless you have checked with your doctor to ensure your fitness to handle your firearm safely. Do not handle your firearm when you are ill, tired, upset or distracted.



WARNING! Horseplay has no place around firearms. Guns can't think – you can!
SAFETY DEPENDS ON YOU!



WARNING! Remember, safety is your responsibility. Be a safe shooter.
SAFETY DEPENDS ON YOU!



WARNING! FOLLOW THE LAW. Obey all local, state and federal laws regarding possessing, storage, shooting and transporting your firearm.



WARNING! Discharging firearms in poorly ventilated areas, cleaning or handling firearms, or handling ammunition may result in exposure to lead and other substances that may cause birth defects, reproductive harm, and other serious physical injury. Have adequate ventilation at all times. Wash your hands and face thoroughly after exposure, and before eating or drinking. Shooting, handling or cleaning guns may expose you to lead, which is a toxic substance.

REMEMBER, FIREARMS SAFETY DEPENDS ON YOU! THERE ARE NO "FOOLPROOF" GUNS, INCLUDING THE JERICO II/II-M™. A SINGLE MOMENT OF INATTENTION OR A SINGLE FAILURE TO FOLLOW THESE GUN SAFETY RULES AND WARNINGS CAN RESULT IN TRAGEDY. YOU ARE RESPONSIBLE FOR THE GUN THAT IS IN YOUR HANDS, IN YOUR POSSESSION, OR UNDER YOUR CONTROL. FIREARMS SAFETY DEPENDS ON YOU!

FIREARMS SAFE HOME STORAGE CHECKLIST

- Firearms naturally attract the attention of children, teenagers and adults alike. Accordingly, it is YOUR responsibility to ensure that your firearms, when unattended, stored, or not in use, are secured under lock and key, safely out of the access of all unauthorized users. This is YOUR responsibility, and any mistake on your part can result in death or serious injury to your loved ones or others.
- Firearms must be securely stored under lock and key in a location inaccessible to children and other unauthorized persons.
- One of the safest ways to store your firearms is in a locking metal gun safe or lock box. Many models, including ones permitting quick access to the firearm if needed for self-defense, are now available at firearms retailers or via the Internet. Using the cable lock provided with your JERICO II/II-M™ SEMI-AUTOMATIC PISTOL (see “INSTRUCTIONS - USING THE CABLE LOCK” on page xviii) is a good safety precaution, but not as good as locking your firearm in a metal gun safe, where it is also out of sight and protected from fire, theft, and curious hands.
- Sporting firearms should be immediately cleaned and placed in secure locked storage when they are returned from hunting or target shooting.

When firearms are removed from storage, they must always immediately be carefully checked to confirm that they are unloaded.

- Ammunition should be stored under lock and key, in a separate location from firearms.
- The operator manual that came with your firearm must be read, understood and followed.

For more information on safe storage and use, refer to the NSSF pamphlets “**Firearms Safety Depends on You**” and “**Firearms Responsibility in the Home**”, available for download from the NSSF website at <http://www.nssf.org/safety/lit/>.

INSTRUCTIONS - USING THE CABLE LOCK

Your JERICH0 II/II-M™ Pistol is supplied with a quality cable lock. Properly used, this lock will help you to secure your firearm from children and other unauthorized users to reduce the chance of an accident, either in the home or while transporting your firearm, provided you take the other reasonable safety precautions contained in this Operator Manual.



WARNING! NEVER attempt to use the cable lock on a loaded firearm - always unload the firearm before installing the cable lock. Otherwise, the firearm could discharge, causing death or serious injury.



WARNING! NEVER insert the cable lock into the trigger guard or trigger area of the JERICH0 II/II-M™ or any other firearm, as the cable could press against the trigger and fire the gun, causing death or serious injury.



WARNING! The cable lock supplied with your JERICH0 II/II-M™ Pistol may not fit or work properly on other firearms. This lock is intended for use only on your JERICH0 II/II-M™ Pistol.

To use the cable lock, do the following:

Your JERICH0 II/II-M™ should now be unloaded, with the safety lever on "Safe".



WARNING! Keep the muzzle pointed in a safe direction, your fingers outside the trigger area, and the safety lever on "Safe" throughout the process of putting the cable lock on your pistol.

1. Lock the slide to the rear. Using the key, open the cable lock. Leave the key in the lock.
2. Insert the end of the cable lock cable through the ejection port and out through the empty magazine well.
3. Insert the end of the cable lock cable into the lock body and hold the end of the cable fully into the lock body while you turn and remove the key to lock the lock.
4. Tug hard on the cable several times to be sure the lock is locked securely.
Used in this way, the cable lock will prevent the JERICHO II/II-M™ slide from closing, preventing the pistol from being fired.
5. Take the key with you, or store the key securely in a remote location from the firearm.
6. Store your firearm in a secure place out of sight, and out of reach of children.



NOTE: While the cable lock can be an important part of your firearms security program, for home storage it is not as secure as locking your gun in a metal gun safe or lock box. Use of the cable lock alone will not prevent your firearm from being stolen, and will not keep your firearm out of view of unauthorized users. The cable lock can be cut off the firearm with a hacksaw, bolt cutter or cable cutter.

SAFETY PRECAUTIONS

Make sure that the pistol is unloaded and in the SAFE position safety lever pointing upwards, when the pistol is not in use, and before:

- Receiving or handling over the pistol.
- Transporting the pistol.
- Inserting the magazine.
- Cleaning or servicing the pistol.

Fundamental Safety Rules:

- Always assume that the pistol is loaded.
- Always remove the magazine immediately after firing and make sure the chamber is empty.
- Always wear ear and eye protection.
- Always be sure of your target backstop and what lies beyond it.

PREFACE

Welcome to the proud family of JERICO II™ Pistol owners.

The JERICO II™ refers to a full-size light weight polymer-frame, with frame-mounted safety lever.

JERICO II-M™ is a shorter version of JERICO II™.



Figure 1 - JERICO II™



Figure 2 – JERICO II-M™

GENERAL DESCRIPTION AND CHARACTERISTICS

The JERICO II™ pistol by IWI is a semi-automatic magazine-fed, traditional double action pistol.

The JERICO II™ pistol has an integral MIL-STD 1913 rail for a variety of pistol light systems.

The anatomically formed grip dimensions permit rapid, accurate, instinctive shooting. The combat style trigger guard is designed for two-handed shooting. An easily operated frame-mounted thumb safety and deep-groove serrated slide grip are designed for positive operation.

The pistol is equipped with standard combat-style sights, adjustable for windage. Both sights are standard Novak cut dovetail mounted.

TECHNICAL DATA

MODEL	Jericho II™	Jericho II-M™
Caliber	9x19mm	
Magazine Capacity	17 Rds.	
Operating Principle	Semi-automatic, short recoil system.	
Locking System	Lug to slot (lugs on the barrel to slots in slide).	
Trigger Mechanism	Double Action or Single Action.	
Trigger Pull Force ~	4 to 6.2 lbs. (1.8 to 2.8 kg) - Single Action.	
Sights	Combat-type (option of tritium sight)	
Rifling ~	6 RH grooves (polygonal)	
Barrel twist ~	1:10" (1:254mm)	
WEIGHT & DIMENSIONS		
Pistol w/o Magazine ~	26.8 Oz (760gr)	24.7 Oz (700gr)
DIMENSIONS		
Length ~	10.25" (206mm)	7.53" (191mm)
Height w/o magazine~	5.56" (141mm)	
Width ~	1.46" (37mm)	
Barrel Length ~	4.42" (112mm)	3.82" (97mm)
Picatinny Rail	Integral MIL-STD-1913 Picatinny accessories rail	

*All the values (weights, dimensions) shall be considered as approximate values only. They are subject to alteration without notice at any time by manufacturer.

* (Approx.) ~

OVERVIEW JERICO II / II-M™ PARTS

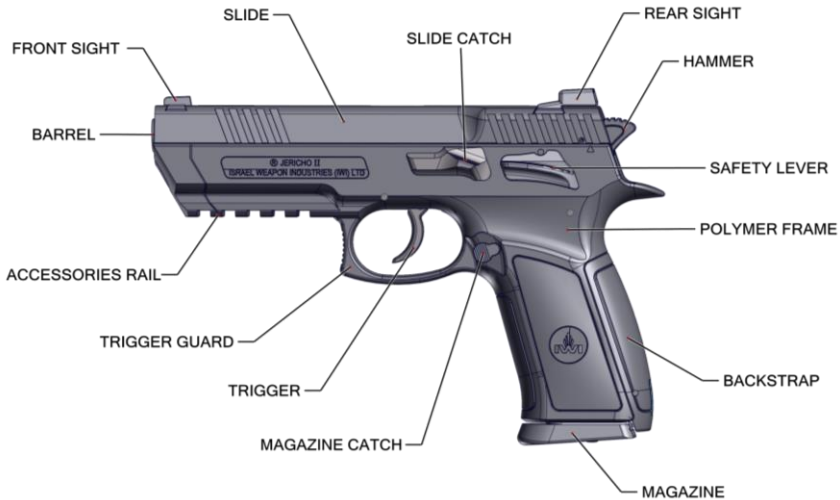


Figure 3

OPERATING PRINCIPLES



Retraction Movement

After pulling the trigger, the hammer is released and hits the firing pin. Propellant gas pressure pushes the bullet along the bore, while at the same time pushing the slide rearward. Since the barrel is locked to the slide, both recoil together a short distance (until the pressure is reduced to a safe level). The barrel then stops and disengages from the slide. The slide continues its rearward travel, and extracts the empty cartridge case from the chamber. When the cartridge case hits the ejector, it is ejected from the pistol. At the same time, the slide cocks the hammer and compresses the recoil spring.



Forward Movement

When the recoil spring expands, it drives the slide forward. During this movement the slide strips the upper round from the magazine and inserts it into the chamber. The locking lugs on the barrel engage the slots in the slide and lock the round in the chamber. The pistol is now ready for firing.

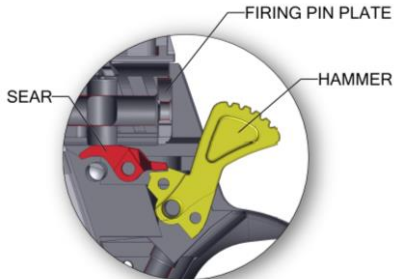


Continued Firing

To fire additional round, release the trigger and pull it again. After the last round is fired, the slide is retained in its rear position by the slide catch. To continue firing, change the magazine and release the slide by pressing the slide catch or by pulling the slide rearward and releasing it.

 **Safety Features**

- The pistol has a firing pin block mechanism, which prevents involuntary firing. The block is released only when the trigger is fully pulled.
- The safety lever is located on the frame. Safety mechanism blocks the sear, which blocks the movement of the trigger. In safe position, the trigger is blocked.
- Safety hook on the hammer: prevents the hammer hitting the firing pin when the cocked weapon is accidentally dropped.



Safety hook on Hammer

OPERATING INSTRUCTIONS



Clearing the Pistol

1. Make sure that during the clearing procedure the pistol is pointing in a safe direction.
2. Move the safety lever to the SAFE position (Figure 4).
3. Press the magazine catch (1), and remove the magazine (2) (Figure 5).



Figure 4



Figure 5

4. Move the safety lever to the FIRE position (Figure 6). A red dot will be visible.
5. Pull the slide to the rear (Figure 7) and check the chamber visually to ensure that the pistol is unloaded. (In dark light physically insert finger through ejection port and verify the chamber and feed ramp are empty). Release the slide.



Figure 6



Figure 7

6. Point the pistol in a safe direction and pull the trigger (Figure 8).
7. Move the safety lever to the SAFE position.



Figure 8



AMMUNITION WARNING

- Only use ammunition of the caliber for which your pistol is chambered. You will find the correct caliber engraved on the right side of the firearm (on the barrel).
- You should always use ammunition that complies with standards established by SAAMI - The Sporting Arms and Ammunition Manufacturers Institute, Inc., CIP, NATO or MIL STD.



Loading the Magazine

1. With the magazine in the upright position, place a round on the magazine follower, in front of the magazine lips.
2. Press the round down and slide it under the magazine lips, and push the round all the way to the rear of the magazine (Figure 9).
3. Repeat the process until fully loaded.



Emptying the Magazine

1. Push the cartridges forward with your thumb until they are out from under the magazine lips (Figure 10).
2. Repeat until the magazine is empty.



WARNING

The number of cartridges in the magazine can be verified by the indicator holes (Figure 10). Do not fill the magazine with more than the number of rounds specified.



CAUTION

Damaged or bent magazine lips can cause a malfunction. Do not force cartridges.



Figure 9



Figure 10

SIGHTS AND ZEROING

The standard JERICO II™ sights consist of a front and a rear sight. Both are combat style with three white dots, and are designed to ensure rapid and accurate aiming.

Optional sights with a beta-type tritium light source are available.

The JERICO II™ is factory zeroed at 25 meters. Due to individual eyesight variations, the actual Mean Point of Impact (MPI) may vary. Zeroing is possible for windage only.

To Adjust the Sights:

Adjustments of the sights should be performed with a sight adjustment tool.



NOTE

Special equipment used only by a competent gunsmith is necessary to assemble/disassemble the tritium sight. Never strike the sights.

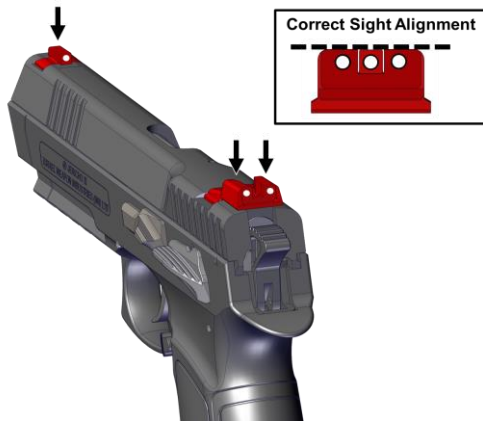


Figure 11

LOADING AND FIRING



Pre-Loading and Pre-Firing Checks

1. Perform the safety checks listed in “Clearing the Pistol” on page 7 to ensure that the pistol is not loaded.
2. Always make sure that the barrel is clean and dry (all factory packing grease should be removed from all surfaces before firing the pistol for the first time).
3. Check that the magazines are clean and properly loaded.
4. The pistol is now ready for inserting the magazine.

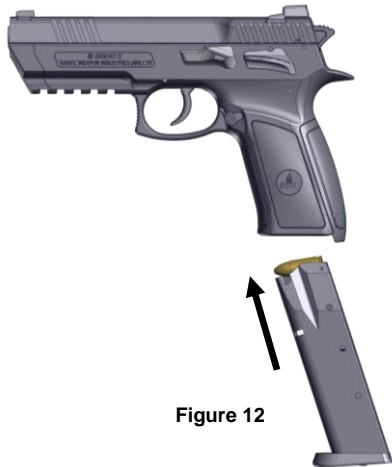


Figure 12



Cocking the Pistol

1. Insert the loaded magazine into the pistol (Figure 12).
2. Verify the safety lever is in the FIRE position (red dot will be visible).
3. Pull the slide all the way back and release it instantly (Figure 13). This operation chambers a round.



WARNING

- The pistol is now loaded - make sure that the barrel is pointed in a safe direction.
- Keep your index or trigger finger out of the trigger guard while cocking.



Figure 13

 **Firing the Pistol**

Point the pistol at the target, align the sights, and press the trigger. (Figure 14).



Figure 14

 **Reloading During Firing**

When the last round is fired, the slide will remain in rear position, locked by the slide catch lever.

1. Remove the empty magazine by pressing the magazine catch (1) (Figure 15).
2. Insert a loaded magazine into the pistol (2) (Figure 16).
3. Release the slide by pressing the slide catch lever (3) or by pulling the slide slightly to the rear and releasing it (Figure 16).



Figure 15



Figure 16



Unloading the Pistol

All the following operations must be done while the barrel is pointing in a safe direction.

1. Set the safety lever to the SAFE position.
2. Press the magazine catch and remove the magazine.
3. Set the safety lever to the FIRE position.
4. Pull the slide to the rear and eject any chambered cartridge.
5. While the slide is in the rear position, keep the weapon pointed in a safe direction while visually verifying the chamber, breech face and magwell are clear of ammunition.
6. Return the slide to the forward position.



CAUTION

Check again that NO magazine is left in the pistol!

7. Point the pistol in a safe direction and only then release the hammer by pulling the trigger.
8. Set the safety lever to the SAFE position.

DISASSEMBLY AND ASSEMBLY



General

This chapter deals with the disassembly and assembly operations in their due order which the user should carry out for routine maintenance of the pistol. Disassembling or assembling of any other parts is not recommended and will void all warranties. Disassembly should be carried out on a clean surface. All the disassembled parts should be placed in order of their removal.



CAUTION

Before disassembling the pistol, check that there is not a magazine in the pistol, nor a live round in the chamber. To unload the pistol, see “Unloading the Pistol” on page 16.

No.	Part Description
1	Slide Assembly
2	Barrel
3	Recoil Spring System
4	Frame Assembly
5	Slide Catch
6	BackStrap Pin
7	BackStrap

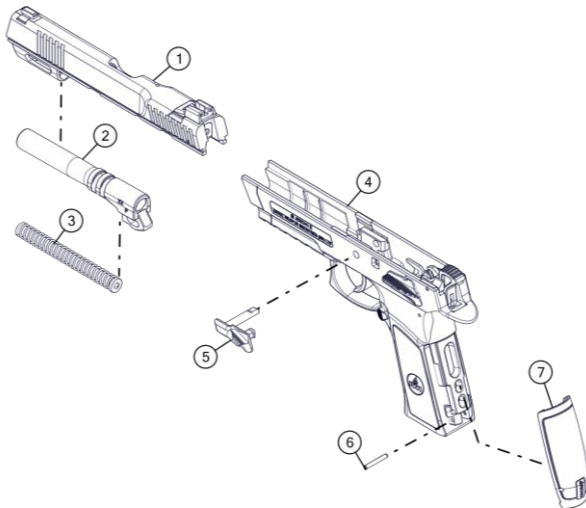


Figure 17



Disassembling the Pistol

1. With the pistol completely unloaded, manually move the hammer to the cocked position (1) (Figure 18).
2. Push the slide slightly to the rear (2) until the mark at the rear end of the slide is just above the mark on the frame (3) (Figure 19).
3. While holding the pistol in that position, remove the slide catch lever by pushing the pin of the lever on the opposite side of the frame (4) (Figure 20).

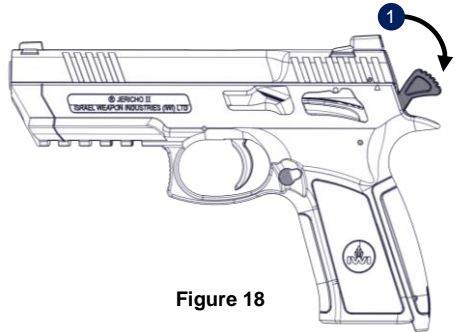


Figure 18

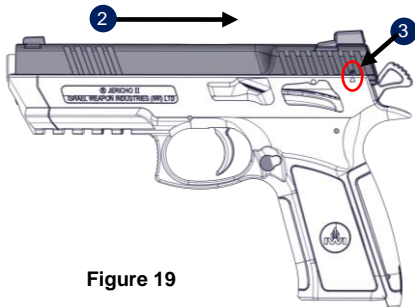


Figure 19

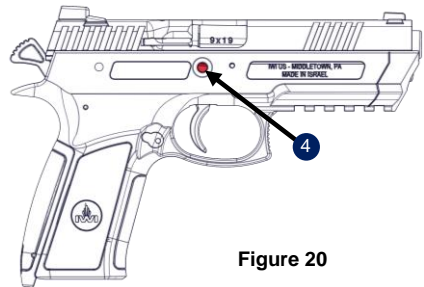


Figure 20



To remove the barrel:

1. Pull the slide from the frame (1).
2. Remove the recoil spring (2) from its housing under the barrel (3).
3. Remove the barrel from the slide (4).



WARNING

No further disassembly is required or advised for routine maintenance.

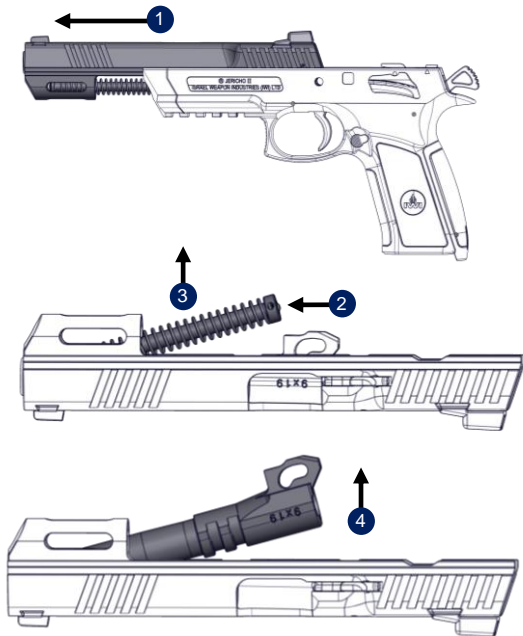


Figure 21



Assembling the Pistol

1. Insert the barrel in the slide (1) into its rearmost (locked) position (2) (Figure 22).
2. Insert the recoil spring (by manually pressing down towards the barrel), making sure that it is securely fitted into the recess (3) in the bottom lug of the barrel (4) (Figure 23).

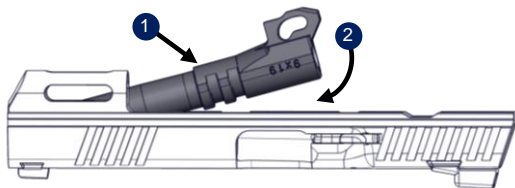


Figure 22

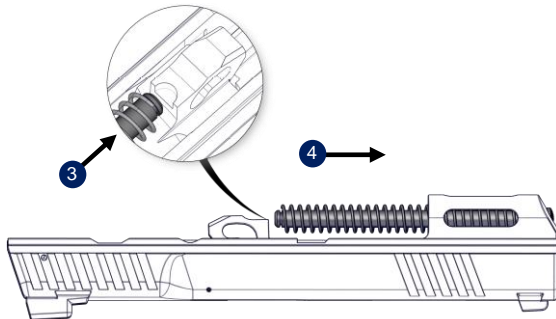


Figure 23

3. Mount the slide on the frame (Figure 24), and push it to the rear (1) until the marks are in line, one above the other (2), then insert the slide catch pin until it snaps into place (4) (Figure 25).
4. Conduct a function test of the firearm (see on page 23).

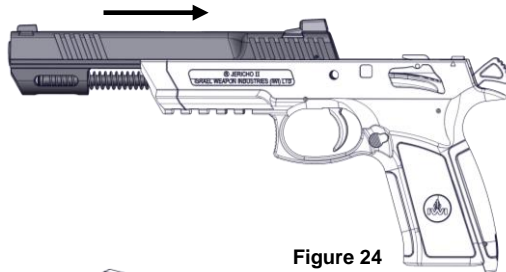


Figure 24

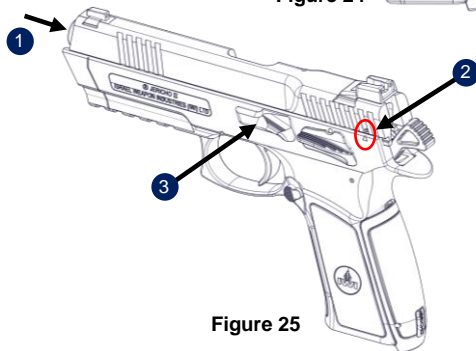


Figure 25



Function Test of the Firearm

1. After verifying the weapon is empty, with the hammer down, engage the safety and attempt to pull the trigger; the weapon should not fire.
2. Turn the safety off and press the trigger and hold it to the rear; the double action hammer should fall.
3. While holding the trigger to the rear, cycle the slide; the hammer should cock. Release the trigger slowly and the sear should reset.
4. Press the trigger after the sear has reset; the hammer should fall.
5. With your finger off of the trigger, cycle the slide with the safety off and cock the hammer with the slide then re-engage the safety.
6. Attempt to press the trigger with the safety on and the hammer cocked; the hammer should not fall.
7. Turn the safety off and press the trigger; the hammer should fall. The function check is complete.

Disassembling the Removable BackStrap

The backstrap comes in 3 different sizes (S/M/L) to fit your hand making it comfortable to grip your pistol.

WARNING

Before disassembling the backstrap, make sure that the pistol is unloaded and its muzzle points in a safe direction.

1. Remove the roll pin (1) from the backstrap, using a 2 – 2.5 mm punch and hammer.
2. Remove the backstrap (2) from the frame by pulling it down and out.

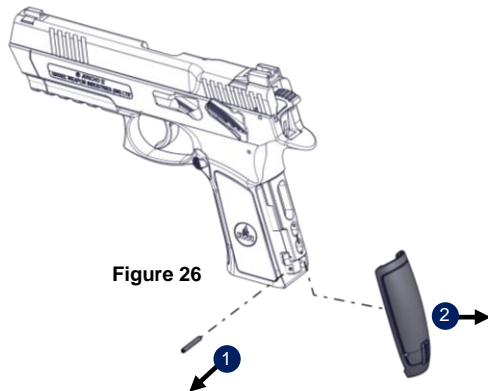


Figure 26

Assembling the Removable BackStrap

To assemble the backstrap, perform the steps of the disassembly in the reverse order.



Disassembling the Magazine

1. Remove all cartridges from the magazine.
2. Hold the magazine with the base facing upwards; with the aid of a small pointed object, push the base catch button (1) inward.
3. Press the base catch to the base, keep pressing it and carefully slide the magazine base backwards (2).
4. Remove the magazine base with the other hand (4).
5. Press the follower, slide it out through the base opening (5) of the magazine and slowly release the spring (6).



Figure 27



WARNING

The magazine spring is under pressure and may be released accidentally, causing injury if not held in place during disassembly or assembly. Do not point the magazine base toward your or another person's face. **Use eye protection.**



Assembling the Magazine

To assemble the magazine, perform the steps of the disassembly in the reverse order (Figure 28).

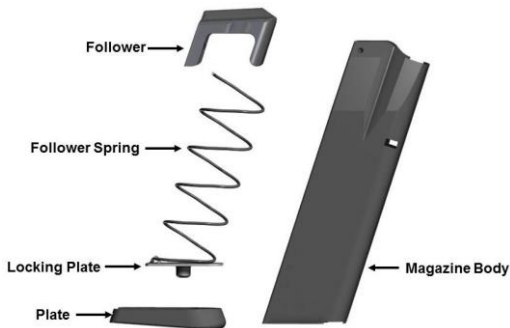


Figure 28



NOTE

We do not recommend further disassembly of this pistol. Any other maintenance or repairs must be performed by a factory warranty repair station. Any work done by others or by an unqualified gunsmith will void the warranty.

CARE AND CLEANING



General

Comprehensive knowledge of how to service and handle the pistol is of great importance. Experience has shown that most failures which occur while operating the pistol are due to negligence in maintenance. Special attention must be paid to cleaning, lubricating and inspecting the pistol. This will determine whether or not the pistol functions properly when you need it. In order to maintain accuracy, the barrel must be serviced thoroughly. Care and cleaning includes the magazines.



Cleaning Kit

The cleaning kit supplied with each pistol includes the following items:

No.	Item	Cat. No.
1	Nylon bristle brush	00.621.1920
2	Brass bristle brush	00.621.1925
3	Cleaning rod	00.621.1921



Cleaning the Pistol

1. Upon receiving the pistol:
 - Disassemble and inspect it (see “Disassembling the Pistol” on page 19).
 - Clean the pistol before using it for the first time.
2. Clean the pistol regularly to ensure it functions properly when needed.
3. For the initial cleaning, make certain that any heavy or sticky deposits of protective material are removed.
4. When cleaning the slide, pay particular attention to the area around the extractor and firing pin, making certain that all powder residues is removed. A small brush, swabs and solvent should be used to remove dirt from hard to reach areas (Figure 29).
5. To clean the barrel, use the brass wire brush. Run the brush completely through the chamber and bore till it protrudes from the other end of the barrel.



NOTE

When cleaning the pistol, clean the **feed ramp** thoroughly.

6. Pull the brush in the opposite direction and remove it from the barrel (Figure 30). Repeat this operation several times.



Figure 29

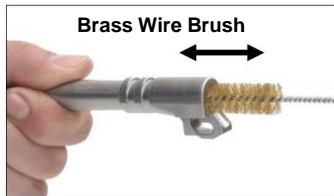


Figure 30

7. Use a patch moistened with powder solvent and cleans the bore. Repeat this operation using clean, dry patches.
8. Lightly coat the outside of the barrel, rails of the slide and rails of the frame. I light coat of oil may be placed on the recoil spring and a couple of drops may be placed on the trigger/ hammer components. All excess oil should be wiped off with a clean and dry patch.
9. While cleaning, inspect all parts for wear and damage. Make sure all surfaces are free from rust and that the chrome coating (if there is any) is not peeling.
10. Assemble the pistol and make sure it functions properly (see on page 23 function check section).
11. Move the safety lever to the SAFE position.
12. Never use abrasive or metallic objects for cleaning.

TROUBLESHOOTING



General

This chapter contains the troubleshooting information for the JERICHO II™. For each symptom, the probable reason is provided, as well as the instructions for remedy action.



WARNING

Before proceeding to investigate the cause of any fault, verify that:

- The pistol is properly assembled.
- The pistol is properly cleaned and lubricated, the inside of the barrel, chamber and breach face of the slide are completely dried.
- The ammunition has been inspected and approved for use.
- The magazine is intact and not loaded with more rounds than the capacity of the magazine.



Immediate Action

If the pistol fails to fire, immediate action must be taken before investigating the cause of the fault.

Immediate action involves the following operations:

1. **TAP** - Tap the magazine base upwards to make sure the magazine is properly seated.
2. **RACK** - Pull the slide all the way back. Watch the ejection of the cartridge or cartridge case.
3. **RELEASE** - If the cartridge or cartridge case is ejected, release the slide to feed a new round.



WARNING - Do not “ride” the slide!

4. **AIM AND FIRE** - Aim and pull the trigger.

If, after repeating the above operation the pistol still fails to fire, proceed as follows:

- a) **LOWER** - Lower the pistol, move the safety to Safe, and remove the magazine.
- b) **LOCK** - Lock the slide to the rear using the slide catch lever.
- c) **STRIP** - the magazine out of the weapon.
- d) **RACK** - Rack the slide 2 to 3 times to clear any rounds in the chamber.
- e) **RELOAD** - Reload the magazine and cycle the slide. Re-engage the target if necessary.



Troubleshooting Table

The troubleshooting table below contains reference to faults in operating the JERICHO II™. For each fault, the possible cause is provided as well as the instruction for remedial action.

Troubleshooting			
#	Fault	Possible Cause	Remedy
1	Failure to feed	Magazine improperly seated	Push magazine to engage catch.
		Magazine is incorrectly assembled	Dismantle and reassemble.
		Magazine damaged	Replace magazine.
		Dirty magazine	Empty the magazine and clean.
		Short recoil	Check recoil spring placement.
2	Failure to lock	Recoil spring defective	Disassemble recoil spring unit, inspect, replace if needed.
		Dirt in chamber or pistol	Clean the pistol.
		Defective ammunition	Check, replace damaged ammunition.
		Damaged locking lug	Check barrel and slide, file or replace.

Troubleshooting			
#	Fault	Possible Cause	Remedy
3	Failure to fire	Defective ammunition	Check, replace damaged ammunition.
		Defective firing pin or firing pin spring	Replace if needed.
		Firing pin block damaged	Replace if needed.
4	Failure to extract	Dirt in chamber	Clean chamber.
		Defective extractor or extractor spring	Replace if needed.
5	Failure to eject	Defective ejector	Inspect; replace sear housing, if needed.
		Dirt in chamber	Clean chamber.
		Defective extractor	Replace if needed.
		Weak ammunition	Test fire with another brand.

LIMITED PRODUCT WARRANTY

1. This Warranty is given by "IWI US, Inc." solely to the original purchaser (the "Purchaser") of IWI US, Inc.'s JERICO II/II-M™ (the "Product") for a period of 5 years commencing from the date of Product retail purchase (the "Warranty Period").
 2. Subject to the limitations and exclusions contained below, IWI US, Inc. warrants the Product to be free from defects in design, materials and workmanship. Consequently, should any failure to conform to this Warranty be discovered and brought to the attention of IWI US, Inc. during the Warranty Period, and be substantiated by examination at IWI US, Inc.'s facility or by duly authorized and certified field personnel on IWI US, Inc.'s behalf, IWI US, Inc., at its sole option and free of charge, shall either repair, replace or refund the purchase price of any non-conforming Product.
 3. This Warranty shall only apply provided that:
 - 3.1. The Product has been transported and stored, handled, maintained, operated and used properly; all in accordance with IWI US, Inc.'s instructions found in this manual.
 - 3.2. No changes, repairs or services were made to the Product by any party other than IWI US, Inc. or an authorized representative of IWI US, Inc.
 - 3.3. The Product was not damaged as a result of improper operation, misuse (whether intentional or otherwise), abuse, negligence, accident or flood, fire, earthquake or other external causes.

- 3.4. Only appropriate, non-defective new commercial ammunition was fired from the Product.
- 3.5. The defective Product and/or defective parts shall have been returned by the Purchaser to IWI US, Inc. immediately upon request in conformance with IWI US, Inc.'s return procedures.
4. This Warranty does not apply to:
 - 4.1. Maintenance, repair or replacement of parts due to normal wear and tear.
 - 4.2. Any cosmetic damage that does not impede form, fit, and function of the Product.
 - 4.3. Products that show evidence of tampering.
 - 4.4. IWI US, Inc. does not warrant that the operation of the product will be uninterrupted, or error-free, or free of stoppages or malfunctions.
5. In the event a Product returned to IWI US, Inc. is not defective in design, materials or workmanship or not returned within the Warranty Period, a test and evaluation charge, as determined by IWI US, Inc. will apply.
6. IWI US, Inc. will be the sole determining evaluator and authority for adjudicating Warranty claims hereunder.

7. THE REPAIR, REPLACEMENT, OR REFUND AS PROVIDED HEREINABOVE IS THE SOLE AND EXCLUSIVE REMEDY OF THE PURCHASER, AND IS PROVIDED IN LIEU OF ALL OTHER WARRANTIES, EXPRESS OR IMPLIED, INCLUDING, WITHOUT LIMITATION, THE IMPLIED WARRANTIES OF MERCHANTABILITY, FITNESS FOR A PARTICULAR PURPOSE, NON-INFRINGEMENT, COURSE OF DEALING AND USAGE OF TRADE. IN NO EVENT SHALL IWI US, Inc. BE LIABLE TO PURCHASER, PURCHASER'S CUSTOMERS OR ANY THIRD PARTY, WHETHER IN CONTRACT OR TORT (INCLUDING NEGLIGENCE AND STRICT LIABILITY) FOR DAMAGES IN EXCESS OF THE PURCHASE PRICE OF THE PRODUCT, OR FOR ANY INDIRECT, INCIDENTAL, SPECIAL, PUNITIVE, OR CONSEQUENTIAL DAMAGES OR EXPENSES OF ANY KIND, OR PERSONAL INJURIES OR DAMAGE TO PROPERTY OF ANY KIND OR CHARACTER, OR LOSS OF REVENUE OR PROFITS, LOSS OF USE, LOSS OF BUSINESS, LOSS OF INFORMATION OR DATA OR OTHER FINANCIAL LOSS ARISING OUT OF OR IN CONNECTION WITH THE ABILITY OR INABILITY TO USE THE PRODUCT TO THE FULL EXTENT THESE DAMAGES MAY BE DISCLAIMED BY APPLICABLE LAW.
8. Some states do not allow the exclusion of consequential or incidental damages, so the above limitations may not apply to you.

REPAIR SERVICES

If you need assistance with your firearm, please call +1717-695-2081, Monday through Friday, 8:00AM to 4:00PM US Eastern time and ask to speak to Customer Service. If it is determined that shipment of your firearm to IWI US, or an authorized IWI US, armorer is warranted, please prepare and ship as follows:

1. Request a Return Authorization number (RA#) from the IWI US, Inc. Customer Service Representative. Please note that IWI US, Inc. will refuse return/repair shipments without a RA#.
2. Record the serial number of your firearm before packing and shipping.
3. Check to make sure your firearm is unloaded.
4. Remove all accessories from the firearm to prevent loss or damage. IWI US, Inc. will not be responsible for any loss or damage to non-IWI US, Inc. firearms or accessories.
5. Pack your firearm in the original box. If the original box is not available, pack your firearm in a box that will protect it from any handling and/or shipping damage. Be sure that there are no markings and/or words on the outside of the box that indicate there is a firearm inside the box. This will help to deter theft of the firearm while in-transit to IWI US, Inc.

6. Enclose a letter with the firearm detailing the model name and serial number of your firearm along with a full description of the problem. Be sure to include your full name and street address city and state, including zip code, daytime telephone number and email address.
7. Ship your firearm by UPS, FedEx or USPS (US Postal Service). IWI US, Inc. is not responsible for damage or loss during shipment, so you may elect to purchase insurance from the carrier. Ship to the following address:

IWI US, Inc.
Attn. Service Department
RA# _____
1441 Stoneridge Drive
Middletown, PA 17057




WARNING!

DO NOT SEND LIVE AMMUNITION OR SPENT (FIRED) SHELLS/CARTRIDGES IN YOUR FIREARM OR IN THE SAME BOX WITH YOUR FIREARM. THIS IS A VIOLATION OF FEDERAL LAW. IF YOU FEEL YOU MUST SEND SPENT (FIRED) SHELLS/CARTRIDGES, PLEASE SHIP THEM IN A SEPARATE PACKAGE AND INCLUDE A COPY OF THE LETTER THAT YOU PACKED WITH YOUR FIREARM.

Copyright © 2019 by IWI US, Inc.

This document is the property of IWI US, Inc. IWI US, Inc. reserves the rights to this document and to the data/invention/content herein described. Any unauthorized use of the document may violate copyright, trademark, and other civil and criminal statutes and contractual rights.

In the interest of product improvement, design and performance characteristics may be changed at any time without prior notice.



IWI US, Inc. • 1441 Stoneridge Drive • Middletown, PA 17057
Tel: +1 (717) 695-2081 Fax: +1 (717) 412-0873 services@iwi.us

WWW.IWI.US



08.011.08.20.00