

# MASADA SLIM™

SEMI AUTOMATIC PISTOL 9X19mm  
PARABELLUM



## OPERATION MANUAL



This Operator Manual should always accompany this firearm and be transferred with it upon change in ownership, or when the firearm is loaned or transferred to another person. Read the instructions and warnings in this manual carefully and understand them before using this firearm. If there is anything you do not understand, seek advice from your retailer or someone qualified in the safe handling of firearms, or contact IWI US, Inc. at Tel: +1 (717) 695-2081 or [info@iwi.us](mailto:info@iwi.us).



## **Congratulations on your purchase of the MASADA SLIM™ Pistol**

Your packaging includes:

1. Firearm Box.
2. VCI Bag.
3. Instruction Manual.
4. Two Magazines.
5. MASADA SLIM™ Pistol.
6. Firearm Cable Lock.

If you notice that anything is missing from the above list, please contact IWI US customer service at either [info@iwi.us](mailto:info@iwi.us) or call +1717-695-2081.

We appreciate your business.

**IWI US, Inc.**

---

**TABLE OF CONTENTS**

WARNINGS AND PRECAUTIONS .....v

SAFETY PRECAUTIONS ..... xix

GENERAL DESCRIPTION AND CHARACTERISTICS .....1

TECHNICAL DATA.....2

OVERVIEW MASADA SLIM™ PARTS .....3

OPERATING PRINCIPLES.....4

OPERATING INSTRUCTIONS .....6

SIGHTS AND ZEROING.....9

LOADING AND FIRING .....10

DISASSEMBLY AND ASSEMBLY .....13

CARE AND CLEANING .....25

TROUBLESHOOTING.....28

LIMITED PRODUCT WARRANTY .....32

REPAIR SERVICES .....35



**WARNING**

PRIOR TO REMOVING THIS FIREARM FROM ITS PACKAGING, AND PRIOR TO HANDLING, LOADING AND FIRING, CAREFULLY AND THOROUGHLY READ AND UNDERSTAND THIS ENTIRE OPERATOR MANUAL WHICH GIVES ADVICE ON THE FIREARM'S PROPER HANDLING, FUNCTIONING AND SAFE USE. YOUR SAFETY AND THAT OF OTHERS (INCLUDING YOUR FAMILY) DEPENDS ON YOUR RESPONSIBLE COMPLIANCE WITH THAT ADVICE, GOOD JUDGMENT AND COMMON SENSE. **FIREARMS SAFETY DEPENDS ON YOU.** YOU CANNOT FORGET, YOU CANNOT OVERLOOK, YOU CANNOT ALLOW YOURSELF TO BE DISTRACTED, YOU CANNOT BECOME COMPLACENT OR CASUAL WITH FIREARMS. THERE ARE NO "FOOLPROOF" FIREARMS. ONCE A SHOT IS FIRED, IT CANNOT BE CALLED BACK. A FIREARM IN YOUR HANDS CAN CAUSE UNINTENDED DEATH OR SERIOUS BODILY HARM IF YOU FAIL TO FOLLOW SAFE FIREARM HANDLING RULES AND PRACTICES SUCH AS THOSE CONTAINED IN THIS MANUAL. **REMEMBER, FIREARMS SAFETY DEPENDS ON YOU!**

**IF UNFAMILIAR WITH FIREARMS, SEEK SUPERVISED INSTRUCTION FROM A CERTIFIED INSTRUCTOR.**

## MANUAL CONTENTS

- Important **WARNINGS** and **SAFETY PRECAUTIONS** that must be read and understood before using this firearm. **SAFE FIREARM HANDLING IS YOUR PERSONAL RESPONSIBILITY AT ALL TIMES.** Disregarding the warnings and safety precautions in this manual can result in injury or death to you, take out and others and damage to property.
- Directions and procedures for handling, loading, firing, unloading, disassembling and assembling this firearm.

This Operator Manual is designed to help you in learning how to properly and safely use and care for your MASADA SLIM™. Only when you are certain you have fully familiarized yourself with the function of your firearm, should you practice loading, unloading, and firing with live rounds of ammunition at a firing range or other safe location.

This Operator Manual should always accompany the firearm and be transferred with the firearm on change of ownership or possession. Should you ever need to replace it, this manual is available FREE on the IWI US, Inc. website at [www.iwi.us](http://www.iwi.us).

## ICONS IN THIS MANUAL

Before you start, familiarize yourself with the icons you will see in the manual.

	<b>Warning</b>
	<b>Pay Attention</b>
	<b>Additional Information</b>
	<b>Procedure</b>
	<b>Process</b>
	<b>Safety Regulation</b>

The illustrations in this manual may differ slightly from the actual product.

## **WARNINGS AND PRECAUTIONS**

### **Cardinal Rules of Firearms Safety**

- Treat all firearm's as if they were loaded.
- Point the muzzle in a safe direction at all times.  
(A "safe direction" is one in which no one would be injured if the firearm were to discharge.)
- Keep your finger off the trigger, straight along the frame and superior to the trigger until you are aimed at a safe target and intend to fire.
- Be sure of your target and what's around and beyond it.
- When you pick up a firearm that, even for an instant, has been out of your direct, continuous control, while following the above rules, open the firearm's action and determine whether or not the firearm is loaded.
- All firearms left unattended, even briefly, must be made inoperable or inaccessible to children and other unauthorized users.

Failure to comply with the warnings and precautions in this booklet may result in serious injury to you or others and/or damage the firearm or other property. Take note of the following warnings on the firearm handling before attempting to use the pistol:

Always check the chamber and magazine of any firearm before handling.

- Keep firearms and ammunition separate and in locked storage.
- Don't shoot unless absolutely sure of your target and what is beyond it.
- Always wear eye and ear protection when shooting.
- Always be sure the barrel is clear of obstructions.
- Only carry ammunition specifically intended for the firearm you are using.
- Never use alcohol or drugs of any kind while using your firearm.





**WARNING!** If your firearm misfires with a live round in the chamber of a hot barrel, immediately remove the round while keeping the barrel pointed in a safe direction and the ejection port turned away from your face.

If you are unable to remove the live round within 10 seconds, remove the magazine, keep the firearm pointed in a safe direction, and wait 15 minutes for the barrel to cool. Then remove the round.



**WARNING!** Be sure the barrel is clear of obstructions before shooting. Never fire your firearm with water, grease, excess oil, or any other obstruction in the barrel this could cause the firearm to explode!



**WARNING!** If you notice an obvious change in sound and recoil while firing, **STOP FIRING!**

The cause for either condition could be incomplete powder burn, a cartridge with a primer but no powder (“SQUIB LOAD”) or too little powder, and/or a bullet stuck in the bore.

Immediately unload the firearm and remove the slide and barrel (see Disassembling the Pistol on page 15); then check for unburned powder residue in the bore and the receiver or a bullet stuck in the bore. Remove the unburned powder before resuming firing. If a bullet is stuck in the bore, have a qualified firearmsmith take care of the problem. Never try to “SHOOT OUT” a bullet stuck in the bore. Firing with unburned powder in the barrel or a bullet stuck in the bore could cause the barrel to explode causing serious injury or death.



**WARNING!** Careless and improper handling of this firearm could result in unintended discharge, causing injury, death or property damage. Safety must be the first and constant consideration when handling a firearm and ammunition. **SAFETY DEPENDS ON YOU.**



**WARNING!** This firearm is designed to function properly in its original condition. Do not alter any parts. Do not replace any parts unless you are factory-trained to do so and then use only original factory parts from **IWI US, Inc.**



**WARNING!** The firearm should be transported in quality firearm case or holster that blocks access to the trigger.

**Important Note:**

This Operator Manual and the instructions and warnings contained in it are intended for the civilian recreational user, target shooter, or hunter, and not necessarily for the law enforcement, security, military, or other “defensive” user. Defensive use of this or any other firearm involves unusual, serious risks, and may at times require deviation from certain safety rules and firearm handling procedures contained in this manual. Such defensive procedures and deviations are beyond the scope of this manual. In order to use such defensive procedures safely requires intensive initial training and qualification from a proper professional source, followed by “in service” training and qualification at appropriate intervals. Anyone who has not been properly and professionally trained in defensive firearm handling procedures should not attempt to use this firearm in any manner other than as set out in this Operator Manual. Doing so can result in serious injury or death.



**WARNING!** Always handle and treat your firearm as if it were loaded so you will never fire it accidentally when you mistakenly think it is unloaded. Never take anyone's word that it is unloaded. Always check it yourself with your fingers off the trigger and the firearm pointed in a safe direction. Even after you have confirmed that the firearm is unloaded, continue to treat it as if it were loaded.



**WARNING!** Never place your fingers inside the trigger guard area unless you are aiming at a proper target and intend to fire. Instead, keep your trigger finger straight along the frame of the pistol until you intend to fire



**DANGER!** DO NOT grasp the forward portion of the trigger guard/pistol grip frame with your non-shooting hand or allow any fingers of your non-shooting hand to enter the trigger guard at any time. If you do so, there is a chance your non-shooting hand or fingers could touch the trigger, unintentionally firing the firearm and resulting in death or serious injury.



**WARNING!** If your finger is on the trigger or inside the trigger area, you may unintentionally discharge the firearm if you are startled, if you lose your balance, if you exert muscular force with your other hand or arm or with either leg, or if something comes in contact with your hand, arm, or the firearm. Always keep your finger outside the trigger area, wrapped around the grip or braced on the firearm's frame, until you intend to fire.



**WARNING!** Upon firing, a hot, empty shell casing is forcefully ejected from the right side of the firearm. All persons present must wear suitable eye protection, and must stand clear of the case ejection area.



**WARNING!** Keep the muzzle of the firearm pointed in a safe direction at all times. A safe direction is one in which a negligently discharged round will not cause any physical injury or property damage. Never let the muzzle of a firearm point at any part of your body or another person, or in any direction where an injury may result if the firearm were to fire. Always be sure of your target and what's beyond and around it before firing.



**WARNING! UNLOAD ALL FIREARMS WHEN NOT IN USE. NEVER STORE A LOADED FIREARM.** Firearms and ammunition should be stored separately under lock and key so that they are inaccessible to children or unauthorized users. Never leave a loaded firearm, or any firearm or ammunition, unattended where an unauthorized user might have access to it. At the range, any firearm you lay down on the shooting bench should be unloaded, with its action locked open. Never lean or place a firearm where it could slide or fall, such as leaning it against or placing it on a vehicle. Never let the muzzle of a firearm touch the ground, mud, sand or snow that might obstruct the bore, causing the barrel to burst when you fire. If you drop a firearm, pick it up carefully with it pointed in a safe direction (have all other people move out of the direction of the muzzle), with your finger outside the trigger area and the safety in the on "SAFE" position. Then unload the firearm, and check to be sure there are no obstructions in the bore. This can be done safely with a cleaning rod, or by disassembling the firearm and looking down the bore from the chamber (rear) end. If there is any possibility of damage to your MASADA SLIM™, have it inspected by a qualified gunsmith, or return it to IWI US, Inc. for inspection, before you load or fire it again.



**WARNING!** Always make sure your firearm is not loaded before cleaning, storing, transporting or handing it to another person. Firearms should be transported unloaded and in a protective firearm case.



**WARNING!** Whenever you pick up any firearm that, even for an instant, has been out of your direct, continuous control, perform a condition check on the weapon. While keeping the muzzle pointed in a safe direction and your fingers out of the trigger area, remove is to the firearm's action (mechanism) to determine whether or not it is loaded.



**WARNING!** Always wear and require others to wear wraparound ANSI or OSHA approved safety glasses while shooting to protect your eyes from injury by ejected shell cases, firearm powder gas, lubricant, dirt or metallic particles, carbon residue, sparks, bullet splash back from targets or other debris.



**WARNING!** Always wear and require others to wear commercially manufactured ear protection when shooting. Without ear protection, the noise from your firearm, and other firearms close to you, could leave a “ringing” in the ears for some time after firing, and could result in permanent hearing loss.



**WARNING!** Learn the mechanical and handling characteristics of the firearm you are using. Not all firearms are the same, and your MASADA SLIM™ firearm has some unique features. Do not assume that just because you have experience with other firearms, you know how to use the MASADA SLIM™ firearm properly. Read and understand this manual. If there is anything you do not understand, contact your firearms retailer or IWI US, Inc. at [info@iwi.us](mailto:info@iwi.us) or telephone +1717-695-2081.



**WARNING!** Never climb or descend a tree, fence or wall, jump across a stream or ditch, or attempt to cross an obstacle, ice, or precarious terrain while carrying a loaded firearm unless the pistol is secured in a quality holster that blocks the trigger guard and retains the weapon.



**WARNING!** Do not shoot at a hard surface, such as rock, masonry or metal, or at water or ice. The bullet may ricochet and travel in unpredictable directions to strike you or another unintended person or object, or even an object that you cannot see.



**WARNING!** A bullet fired into the air can travel over one mile, and can kill or seriously injure someone when it comes down. Never fire into the air, or at a target or animal in a tree or on the crest of a hill.



**WARNING!** Before hunting with this or any other firearm, take an approved Hunter Safety Course, taught in all states by the state game commission or by the National Rifle Association (NRA). Follow your state's game laws at all times while hunting.



**WARNING!** Firing a firearm near livestock or other domestic animals may startle them and cause them to injure themselves, other animals, or people, or to cause property damage. Think first before you discharge any firearm.



**WARNING!** If you have not received formal firearms instruction or if you have any doubts about your ability to handle or use this firearm safely, seek supervised instruction from a certified instructor. Information about sources of firearms instruction can often be obtained from your local police department, firearms retailer, firearm club, shooting range, state game commission, or from the **National Rifle Association (“NRA”), 11250 Waples Mill Road, Fairfax, Virginia 22030, Telephone 1-703-267-1000 or 1-800-672-3888.**



**WARNING!** If at any time you notice something about the appearance or functioning of your MASADA SLIM™ firearm that does not seem proper or that causes you concern, STOP, unload your firearm immediately, and do not load or fire your firearm until you have it inspected. If necessary, have the pistol repaired by a factory-trained armorer, or by IWI US, Inc. If you fire your MASADA SLIM™ firearm extensively, have it professionally inspected and serviced periodically.



**WARNING!** Firearms and alcohol do not mix. Never drink alcoholic beverages or take drugs before or during shooting. This constitutes criminal disregard for your safety and that of others. Some medications can impair your vision, balance, reflexes, coordination, alertness or judgment. Never use a firearm while you are taking medication unless you have checked with your doctor to ensure your fitness to handle your firearm safely. Do not handle your firearm when you are ill, tired, upset or distracted.



**WARNING!** Horseplay has no place around firearms. Firearms can't think – you can!  
**SAFETY DEPENDS ON YOU!**



**WARNING!** Remember, safety is your responsibility. Be a safe shooter.  
**SAFETY DEPENDS ON YOU!**



**WARNING! FOLLOW THE LAW.** Obey all local, state and federal laws regarding possessing, storage, shooting and transporting your firearm.



**WARNING!** Discharging firearms in poorly ventilated areas, cleaning or handling firearms, or handling ammunition may result in exposure to lead and other substances that may cause birth defects, reproductive harm, and other serious physical injury. Have adequate ventilation at all times. Wash your hands and face thoroughly after exposure, and before eating or drinking. Shooting, handling or cleaning firearms may expose you to lead, which is a toxic substance.

**REMEMBER, FIREARMS SAFETY DEPENDS ON YOU! THERE ARE NO "FOOLPROOF" FIREARMS, INCLUDING THE MASADA SLIM™. A SINGLE MOMENT OF INATTENTION OR A SINGLE FAILURE TO FOLLOW THESE FIREARM SAFETY RULES AND WARNINGS CAN RESULT IN TRAGEDY. YOU ARE RESPONSIBLE FOR THE FIREARM THAT IS IN YOUR HANDS, IN YOUR POSSESSION, OR UNDER YOUR CONTROL. FIREARMS SAFETY DEPENDS "ON YOU!"**



## FIREARMS SAFE HOME STORAGE CHECKLIST

- Firearms naturally attract the attention of children, teenagers and adults alike. Accordingly, it is YOUR responsibility to ensure that your firearms, when unattended, stored, or not in use, are secured under lock and key, safely out of the access of all unauthorized users. This is YOUR responsibility, and any mistake on your part can result in death or serious injury to your loved ones or others.
- Firearms must be securely stored under lock and key in a location inaccessible to children and other unauthorized persons.
- One of the safest ways to store your firearms is in a locking metal firearm safe or lock box. Many models, including ones permitting quick access to the firearm if needed for self-defense, are now available at firearms retailers or via the Internet. Using the cable lock provided with your MASADA SLIM™ SEMI-AUTOMATIC PISTOL (see “INSTRUCTIONS - USING THE CABLE LOCK” on page xvii) is a good safety precaution, but not as good as locking your firearm in a metal firearm safe, where it is also out of sight and protected from fire, theft, and curious hands.
- Sporting firearms should be immediately cleaned and placed in secure locked storage when they are returned from hunting or target shooting.

- When firearms are removed from storage, they must always immediately be carefully checked to confirm that they are unloaded.
- Ammunition should be stored under lock and key, in a separate location from firearms.
- The operator manual that came with your firearm must be read, understood and followed.

For more information on safe storage and use, refer to the NSSF pamphlets “**Firearms Safety Depends on You**” and “**Firearms Responsibility in the Home**”, available for download from the NSSF website at <http://www.nssf.org/safety/lit/>.

## INSTRUCTIONS - USING THE CABLE LOCK

Your MASADA SLIM™ Pistol is supplied with a quality cable lock. Properly used, this lock will help you to secure your firearm from children and other unauthorized users to reduce the chance of an accident, either in the home or while transporting your firearm, provided you take the other reasonable safety precautions contained in this Operator Manual.



**WARNING! NEVER** attempt to use the cable lock on a loaded firearm - always unload the firearm before installing the cable lock. Otherwise, the firearm could discharge, causing death or serious injury.



**WARNING! NEVER** insert the cable lock into the trigger guard or trigger area of the MASADA SLIM™ or any other firearm, as the cable could press against the trigger and fire the firearm, causing death or serious injury.



**WARNING!** The cable lock supplied with your MASADA SLIM™ Pistol may not fit or work properly on other firearms. This lock is intended for use only on your MASADA SLIM™ Pistol.

To use the cable lock, do the following:

Be sure your firearm is empty (unloaded) by following the Unloading the Pistol on page 12.

Your MASADA SLIM™ should now be unloaded.



**WARNING!** Keep the muzzle pointed in a safe direction, your fingers outside the trigger area throughout the process of putting the cable lock on your pistol.

1. Lock the slide to the rear. Using the key, open the cable lock. Leave the key in the lock.
2. Insert the end of the cable lock cable through the ejection port and out through the empty magazine well.
3. Insert the end of the cable lock cable into the lock body and hold the end of the cable fully into the lock body while you turn and remove the key to lock the lock.
4. Tug hard on the cable several times to be sure the lock is locked securely. Used in this way, the cable lock will prevent the MASADA SLIM™ slide from closing, preventing the pistol from being fired.
5. Take the key with you, or store the key securely in a remote location from the firearm.
6. Store your firearm in a secure place out of sight, and out of reach of children.

**NOTE:** While the cable lock can be an important part of your firearms security program, for home storage it is not as secure as locking your firearm in a metal firearm safe or lock box. Use of the cable lock alone will not prevent your firearm from being stolen, and will not keep your firearm out of view of unauthorized users. The cable lock can be cut off the firearm with a hacksaw, bolt cutter or cable cutter.



## **SAFETY PRECAUTIONS**

Make sure that the pistol is unloaded and pointed in a safe direction when the pistol is not in use and before:

- Receiving or handling over a pistol.
- Transporting a pistol.
- Inserting the magazine.
- Cleaning or servicing a pistol.

### **Fundamental Safety Rules:**

- Always assume that the pistol is loaded.
- Always remove the magazine immediately after firing and make sure the chamber is empty.
- Always wear ear and eye protection.
- Always be sure of your target backstop and what lies beyond it.



## **GENERAL DESCRIPTION AND CHARACTERISTICS**

Chambered in 9x19, the IWI MASADA SLIM™ is a compact, polymer striker-fired pistol.

Developed and engineered specifically for the needs of military, law enforcement and civilian applications.

The MASADA SLIM™ is a lightweight, slim pistol with ORP ready slide.

Ideal for every day carry, especially due to its ergonomic grip, ultra-concealable size and accuracy.



**TECHNICAL DATA**

<b>Model</b>	<b>MASADA SLIM™</b>
<b>Caliber</b>	<b>9x19mm</b>
<b>Magazine Capacity</b>	10 or 13 Rds magazines.
<b>Operating Principle</b>	Semi-automatic, short recoil system
<b>Trigger Mechanism</b>	Striker Action
<b>Trigger Pull Force ~</b>	5 - 6.6 Lbs. (2.3 - 3.0Kg)
<b>Sights</b>	High visibility front dot, u notch rear sight
<b>Barrel twist ~</b>	6 RH Rifling TW 1:10"
<b>WEIGHT &amp; DIMENSIONS</b>	
<b>Pistol w/o Magazine ~</b>	20.1 oz (578 grams)
<b>Length ~</b>	6.3" (160 mm)
<b>Height ~</b>	4.90" (124 mm)
<b>Width ~</b>	1.14" (29 mm)
<b>Barrel Length ~</b>	3.45" (87.5 mm)



## OVERVIEW MASADA SLIM™ PARTS



## OPERATING PRINCIPLES



### Rearward Movement

After pressing the trigger, the striker is striking the primer and igniting the powder in the casing. Propellant gas pressure pushes the bullet through the bore, while at the same time pushing the slide rearward. Since the barrel is locked to the slide, both move together a short distance (until the pressure is reduced to a safe level). The barrel then stops and tips downward from the slide. The slide continues its rearward travel, and extracts the empty cartridge case from the chamber. When the cartridge case hits the ejector, it is ejected from the pistol.



### Forward Movement

When the recoil spring expands, it drives the slide forward. During this movement, the slide strips the upper round from the magazine and inserts it into the chamber. The Striker locks in place, the pistol is now ready for firing.



### Continued Firing

To continue firing, release the trigger and press it again. After the last round is fired, the slide is retained in its rear position by the slide catch.



## Safety Features

The pistol is equipped with a firing pin block mechanism which prevents the firing pin from falling unless the trigger is pressed all the way to the rear.

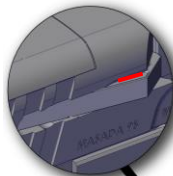
**Chamber Indicator:** when the chamber is unloaded the indicator is flushed against the slide. When the chamber is loaded with a round the indicator protrudes out of the slide - and exposes red color.

The indicator can be both visually and physically identified either by sight or feel.

**Trigger safety:** prevents rearward travel of the trigger unless the finger is properly placed on the trigger.

It also prevents discharge of the weapon if the firearm is dropped.

Chamber Indicator



Trigger Safety

## OPERATING INSTRUCTIONS



### Clearing the pistol

1. Make sure that during the clearing procedure the pistol is pointed in a safe direction.
2. Press the magazine catch (1), and remove the magazine (2) (Fig. 1).



### CAUTION:

Ensure there is no ammunition present in the magazine.



Fig. 1

3. Pull the slide to the rear (Fig. 2) check the chamber visually and physically to ensure that the pistol is unloaded. Release the slide.



Fig. 2



### Ammunition Warning

- Only use ammunition of the caliber for which your pistol is chambered. You will find the correct caliber engraved on the right side of the firearm (on the exposed chamber).
- You should always use ammunition that complies with standards established by SAAMI - The Sporting Arms and Ammunition Manufacturers Institute, Inc. or CIP, NATO, MIL STD.



### **Loading the Magazine**

1. With the magazine in an upright position, place a round on the magazine follower, in front of the magazine lips.
2. Press the round down and slide it under the magazine lips (1), and slide the round all the way to the rear of the magazine (2) (Fig. 3).
3. Repeat the process until fully loaded (13 rounds or 10 rounds for restricted state).



#### **NOTE:**

The number of cartridges in the magazine can be verified by the witness holes (Fig. 4). Do not fill the magazine with more than the number of rounds specified.



#### **CAUTION:**

Damaged or bent magazine lips will cause a malfunction.

**Do not force cartridges.**



### **Emptying the Magazine**

Push the cartridges forward with your thumb until they are out from under the magazine lips (Fig.4). Repeat until the magazine is empty.



**Fig. 3**



**Fig. 4**

## SIGHTS AND ZEROING

The standard MASADA SLIM™ sights consist of a front and a rear sight. Both are designed to aid in rapid and accurate aiming (Fig. 5).

Optional sights with a beta-type tritium light source are available.

The MASADA SLIM™ is factory zeroed at 25 meters. Due to individual eyesight variations, the actual Mean Point of Impact (MPI) may vary. Zeroing is possible for windage only.

### To Adjust the Sights

Adjustments of the sights should be made with a sight adjustment tool.



#### NOTE:

Special equipment, used only by a competent gunsmith, is necessary to assemble/disassemble the tritium sight. Never strike the tritium sights.

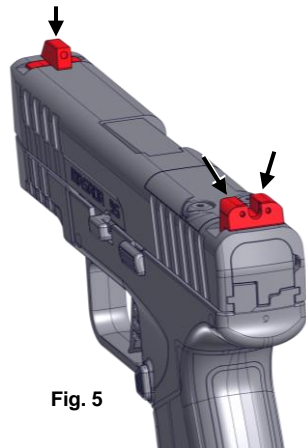


Fig. 5

Point of impact



Correct sight alignment

Point of impact



Incorrect sight alignment

## LOADING AND FIRING



### Pre-Loading and Pre-Firing Checks

1. Perform the listed unloading procedure on page 12 to ensure that the pistol is not loaded.
2. Always make sure that the barrel is clean and dry (all factory packing grease should be removed from all surfaces before firing the pistol for the first time).
3. Check that the magazines are clean and properly loaded.



### Loading the Pistol

1. Point pistol in a safe direction.
2. Insert the loaded magazine into the pistol (Fig. 6).
3. Pull the slide all the way back and release it (Fig. 7). This operation chambers a round.



### CAUTION:

Do not place your finger on the trigger until you are on target and have made the decision to fire.



Fig. 6



Fig. 7





## Firing the Pistol

1. When target is identified, move the pistol to the shooters line of sight and properly align front and rear sights on intended target. Only when the shooter is on target and ready to fire, place finger inside the trigger guard on the trigger
2. When ready, press the trigger. Release the trigger after the shot. When sights re-align on the target, press again for addition shots if desired.



## Reloading During Firing

The slide will remain in the rear position after the last round is fired and the magazine is empty (Fig. 8).

1. Keeping the pistol pointed at target or in a safe direction, remove the empty magazine by pressing the magazine catch.
2. Insert a full magazine.

Release the slide by pressing the slide catch lever (Fig. 9) or by pulling the slide slightly to the rear and releasing it.



Fig. 8



Fig. 9



## **Unloading the Pistol**

All the following operations must be done while the barrel is pointing in a safe direction.

1. Press the magazine catch and remove the magazine.
2. Pull the slide to the rear and eject any chambered cartridge.
3. Lock the slide to the rear by maintaining upward pressure on the slide stop and pulling the slide to the rear. Visually check to make certain that the chamber and breech face are free of ammunition. Visually inspect the chamber, breech face and magazine well, as well as physically inspecting these areas to ensure there is no ammunition. It may be difficult to see into the chamber area because of poor lighting or carbon buildup in the firearm.
4. Release the slide.



### Disassembly and Assembly Optic Sight Cover on the ORP Slide:

1. Unscrew the tightening screws on the ORP Slide to remove the optic sight cover (Fig.10).
2. To assemble place the optic sight. Align their bolt holes (Fig. 11).
3. Apply Loctite 242 only to the threads of the two screws. Do not apply Loctite to the threads on the slide.
4. Screw in and fasten the two screws with a torque 8.9 in-lbs with the optic sight to the OPR Slide.  
**(NOTE:** It is recommended that you wait at least 24 hours after applying the Loctite on the screws before firing the pistol). (Fig. 11).

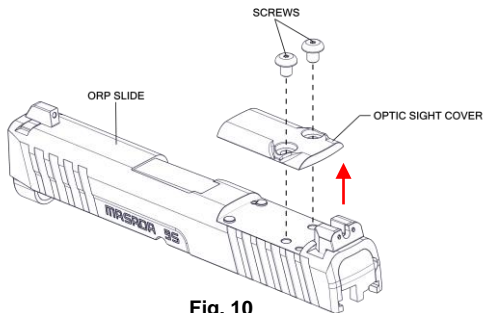


Fig. 10

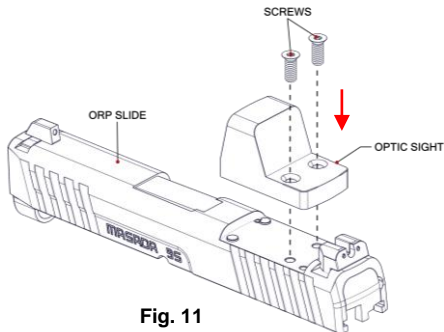


Fig. 11

## DISASSEMBLY AND ASSEMBLY



### General

This chapter deals with disassembly and assembly operations which the user should carry out for routine maintenance of the pistol. Disassembling or assembling of any other parts is not recommended and will void all warranties. Disassembly should be carried out on a clean surface. All the disassembled parts should be placed in order of their removal.



### CAUTION:

Before disassembling the pistol, ensure all magazines are unloaded and no ammunition is left in the chamber. To unload the pistol, see Unloading the Pistol on page 12.

No.	Part Description
1	Slide Assembly
2	Frame Assembly
3	Barrel
4	Recoil Spring Assembly
5	Locking Pin

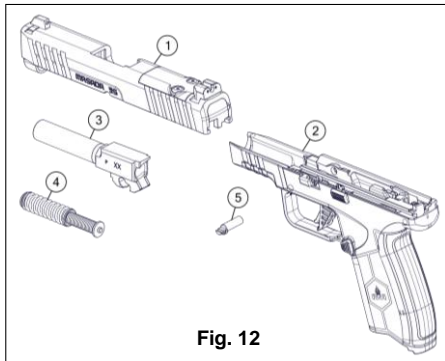


Fig. 12



## Disassembling the Pistol

1. While pulling the slide rearward (1) (Fig. 13), simultaneously press upward on the slide catch lever to lock the slide in rear position (2) (Fig. 13). Push the sear disconnector forward (3) (Fig. 14).

**Note:** If a magazine is inserted, the sear disconnector will not move.

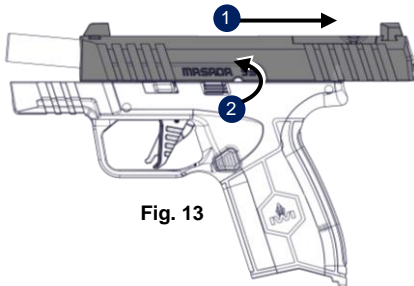


Fig. 13

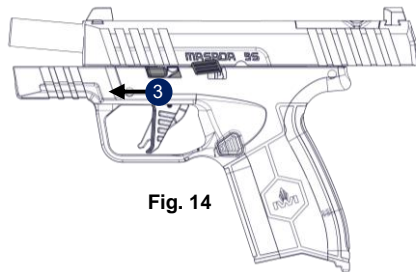


Fig. 14

2. Release the slide by pressing the slide catch lever (4) (Fig. 15).

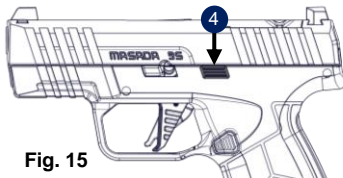
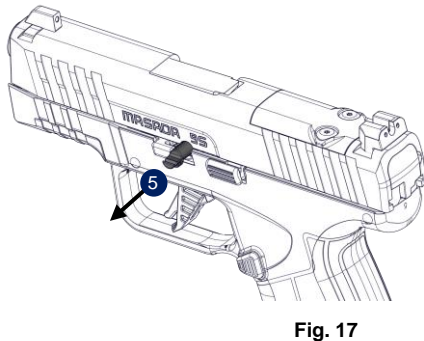
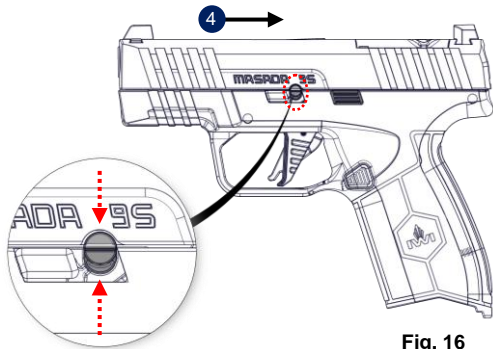


Fig. 15

3. To remove the locking pin, push the slide slightly to the rear until the upper and lower cut-out align. (4), place the slide slot in front of the locking pin (Fig. 16).
4. Pull out and remove the locking pin from the slide (5) (Fig. 17).



5. Slowly pull the slide forward from the frame – There is no need to pull the trigger to release it. (Fig. 18).
6. Remove the recoil spring from its housing under the barrel by slowly pushing the spring towards the front of the barrel. Lift the recoil spring up and out of the slide (Fig. 19).
7. Remove the barrel from the slide by pulling up on the barrel lug (Fig. 20).

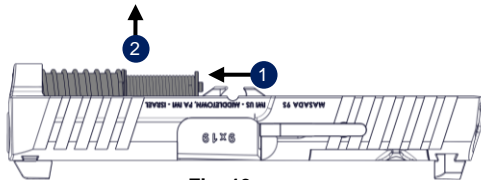


Fig. 19

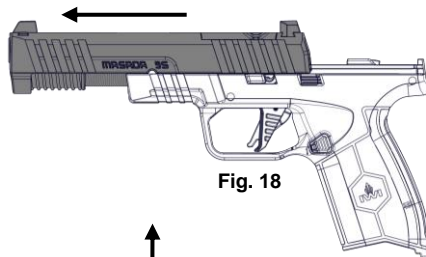


Fig. 18

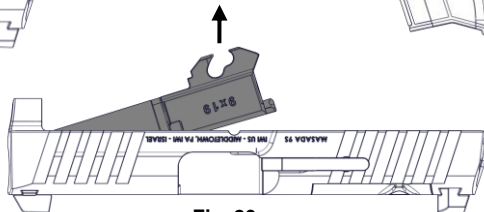


Fig. 20

**WARNING**

No further disassembly is required or advised for routine maintenance.



## Assembling the Pistol

1. Insert the muzzle end of the barrel into the slide, then seat the barrel in the slide into its rearmost (locked) position (Fig. 21).
2. Insert the recoil spring by manually pressing down towards the barrel (1), making sure that it is securely fitted into the scalloped recess in the bottom lug of the barrel (2) (Fig. 22).

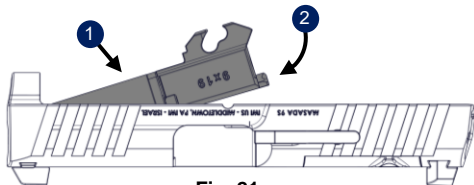


Fig. 21

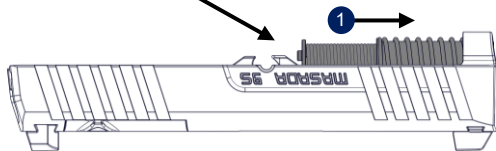
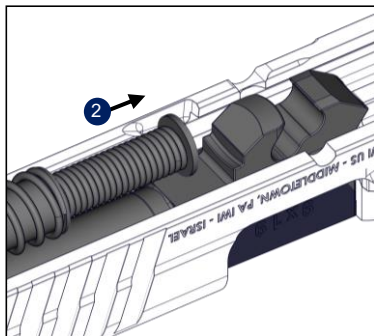


Fig. 22



3. Mount the slide on the frame and move the slide to the rear so that the rails on the frame align to the rails on the slide. (Fig. 23).
4. Make sure the sear disconnect is in the forward position. (Fig. 24).
5. Push the slide slightly to the rear, until the frame and the slide cut out for the locking pin align. (Fig. 25), make sure the barrel does not drop and obstruct the locking pin hole.

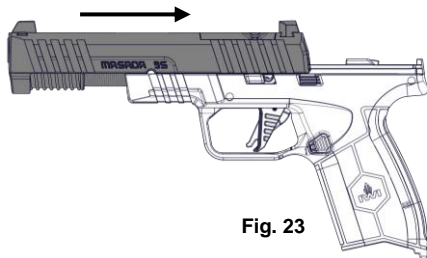


Fig. 23

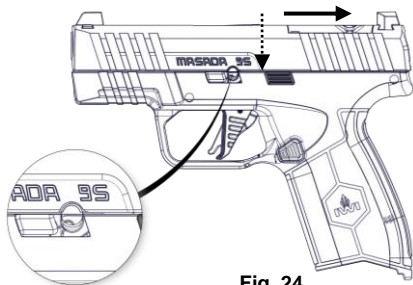


Fig. 24

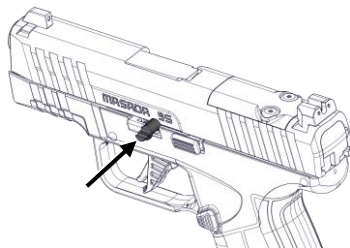
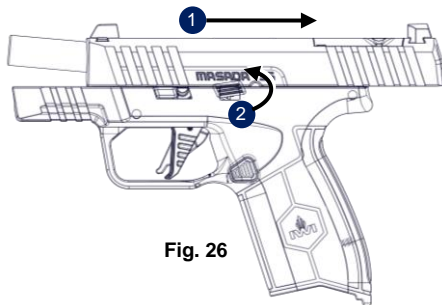
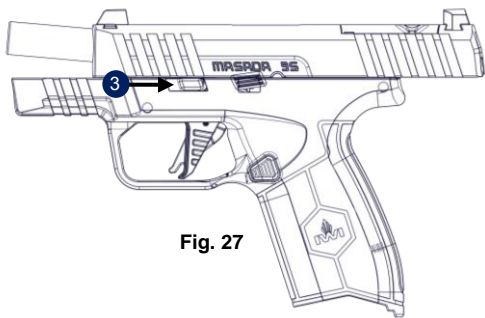


Fig. 25

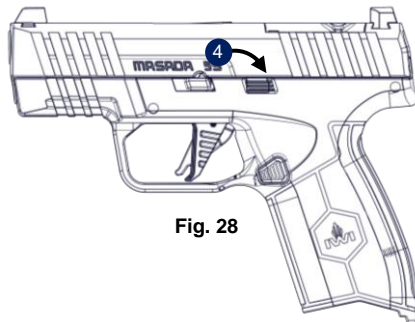
7. Pull the slide all the way and press upward on the slide catch lever to lock the slide in rear position (Fig. 26).
8. Push the sear disconnect to the rear (Fig. 27).
9. Release the slide by pressing the slide catch lever or by pulling the slide all the way to the rear and releasing (Fig. 28).
10. Check correct pistol operation by cycling the slide.



**Fig. 26**



**Fig. 27**



**Fig. 28**



## Disassembling the Magazine



### WARNING

The magazine spring is under pressure and may be released accidentally, causing injury if not held in place during disassembly or assembly. Do not point the magazine base toward your or another person's face. **Use eye protection.**

1. Remove all ammunition from magazines.
2. Hold the magazine with the base facing upwards; with the aid of a small pointed object, push the base catch button inward (Fig. 29).
3. With the base catch depressed, carefully slide the magazine base out while maintaining pressure on the base (Fig. 30).

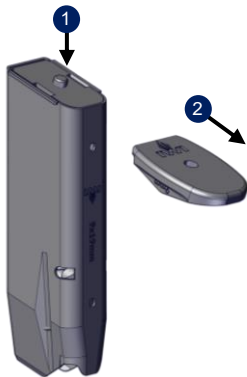


Fig. 29

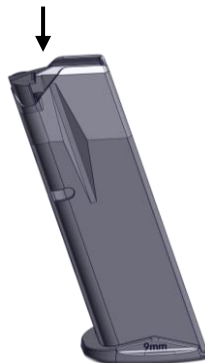


Fig. 30

4. While carefully holding the spring in place with the thumb (1), remove the magazine base with the other hand (2); remove the magazine catch base and spring (Fig. 31).
5. Push down on the follower and slide it out through the base opening of the magazine. (Fig. 32).



**Fig. 31**



**Fig. 32**



## Assembling the Magazine

To assemble the magazine, perform the steps of the disassembly in the reverse order

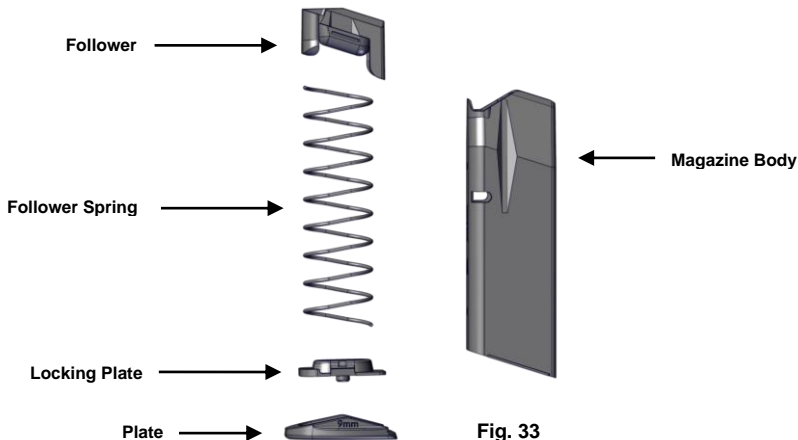


Fig. 33



### NOTE:

We do not recommend further disassembly of this pistol. Any other maintenance or repairs must be performed by a factory warranty repair station. Any work done by others or by an unqualified gunsmith will void the warranty.



### **Function Check of the MASADA SLIM™ Pistol**

1. Verify the weapon is clear by following Clearing Procedure.
2. Ensure the pistol is pointed in a safe direction throughout the entire process.
3. Insert empty magazine.
4. Pull the slide to the rear. This ensures the slide catch is working properly and locks back properly on an empty magazine.
5. Press magazine release button. The magazine should fall freely.
6. Press down on the slide release lever. This ensures the slide catch works properly and the recoil spring has enough tension to place the slide into battery.
7. While holding the trigger to the rear, cycle the slide. Slowly release the trigger forward. You should hear and feel the reset of the trigger. This ensures proper trigger function.

## CARE AND CLEANING



### General

Comprehensive knowledge of how to service and handle the pistol is of great importance. Experience has shown that most failures which occur while operating the pistol are due to negligent maintenance. Special attention must be paid to cleaning, lubricating and inspecting the pistol. Proper care and maintenance will ensure the pistol will reliably function. In order to maintain accuracy, the barrel must be serviced thoroughly. Care and cleaning includes the magazines.



### Materials Required

At a minimum, we suggest the following materials to properly clean the MASADA SLIM™:

No.	Item
1	Nylon bristle brush
2	Brass bristle brush
3	Cleaning rod
4	Cleaning patches
5	Cleaning rag
6	Lubricating oil designed for firearms



## **Cleaning the Pistol**

1. Upon receiving the pistol, disassemble and inspect it. See “Disassembling the Pistol” on page 14.
2. Clean the pistol regularly to ensure it functions properly when needed.
3. For the initial cleaning, make certain that any heavy or sticky deposits of protective grease are removed.
4. When cleaning the slide, pay particular attention to the area around the extractor and firing pin, making certain that all carbon buildup and powder residues are removed. A small brush, swabs and solvent should be used to remove dirt from hard to reach areas.
5. To clean the barrel, use the brass wire brush. Run the brush completely through the chamber and bore till it protrudes from the other end of the barrel.
6. Pull the brush in the opposite direction and remove it from the barrel. Repeat this operation several times.



7. Use a patch moistened with firearm cleaning solvent and clean the bore. Repeat this operation using clean, dry patches.
8. Oil all moving parts of the pistol with a lightly oiled patch/cloth, then remove all excess oil with a dry one. The chamber, bore, and breach face of the slide should remain dry (no oil deposits).
9. While cleaning, inspect all parts for wear, cracks or damage. Make sure all surfaces are free from rust.
10. Assemble the pistol and make sure it functions properly.

## TROUBLESHOOTING



### General

This chapter contains the troubleshooting information for the IWI MASADA SLIM™. For each symptom, the probable reason is provided, as well as the instructions for remedial action.



### WARNING

Before proceeding to investigate the cause of any malfunction, verify that:

- The pistol is properly assembled.
- The pistol is properly cleaned and lubricated. Ensure that the barrel, chamber, and breech face are completely dry.
- The ammunition has been inspected and approved for use.
- The magazine is intact and not loaded with more rounds than the capacity of the magazine.



## Immediate Action

If the pistol fails to fire, immediate action must be taken before investigating the cause of the fault. Immediate action involves the following operation:

1. **TAP** - Tap the magazine base upwards to make sure the magazine is properly seated.
2. **RACK** - Pull the slide all the way back and release the slide forward. Do not ride the slide forward. Slingshot the slide so it springs forward forcefully to properly go into battery.
3. **ASSESS** - Assess after immediate action to see if another shot needs to be fired.



**WARNING** - Do not “ride” the slide!

4. **AIM AND FIRE** - Aim and press the trigger.

If, after repeating the above operation twice, the pistol still fails to fire, proceed as follows:

- a) **POINT** - Point weapon in a safe direction and put on Safe.
- b) **LOCK** - Lock the slide to the rear.
- c) **PULL** - Pull magazine from the pistol.
- d) **ASSESS** - Assess the pistol by inspecting the chamber and breach face. Clear any spent casings or rounds from the chamber.
- e) **RACK** - Rack the slide a few times to clear any ammunition from the chamber.
- f) **RELOAD** - Insert a loaded magazine and rack the slide.



## Troubleshooting Table

The troubleshooting table below contains reference to potential malfunctions in operating the IWI MASADA SLIM™. For each malfunction, the possible cause is provided as well as the instruction for remedial action.

#	Malfunction	Possible Cause	Remedy
1	Failure to feed	Magazine improperly seated	Push magazine to engage catch.
		Magazine is incorrectly assembled	Dismantle and reassemble.
		Magazine damaged	Replace magazine.
		Dirty magazine	Empty the magazine and clean.
		Short recoil	Check recoil spring placement or any shortening of spring due to wear. Replace spring.
2	Failure to lock	Recoil spring defective	Inspect the spring unit, replace if needed.
		Dirt in chamber or pistol	Clean the pistol.
		Defective ammunition	Check, replace damaged ammunition.
		Damaged locking lug	Contact manufacturer.

#	Malfunction	Possible Cause	Remedy
3	Failure to fire	Defective ammunition	Check, replace damaged ammunition.
		Defective firing pin or firing pin spring	Contact manufacturer.
		Firing pin block damaged	Contact manufacturer.
4	Failure to extract	Dirt in chamber	Clean chamber.
		Defective extractor or extractor spring	Contact manufacturer.
		Dirt in chamber	Clean chamber.
		Defective extractor	Contact manufacturer.
		Weak ammunition	Test fire with another brand.

## **LIMITED PRODUCT WARRANTY**

1. This Warranty is given by "IWI US, Inc." solely to the original purchaser (the "Purchaser") of IWI US, Inc.'s MASADA SLIM™ (the "Product") for a period of 5 years commencing from the date of Product retail purchase (the "Warranty Period").
2. Subject to the limitations and exclusions contained below, IWI US, Inc. warrants the Product to be free from defects in design, materials and workmanship. Consequently, should any failure to conform to this Warranty be discovered and brought to the attention of IWI US, Inc. during the Warranty Period, and be substantiated by examination at IWI US, Inc.'s facility or by duly authorized and certified field personnel on IWI US, Inc.'s behalf, IWI US, Inc., at its sole option and free of charge, shall either repair, replace or refund the purchase price of any non-conforming Product.
3. This Warranty shall only apply provided that:
  - 3.1. The Product has been transported and stored, handled, maintained, operated and used properly; all in accordance with IWI US, Inc.'s instructions found in this manual.
  - 3.2. No changes, repairs or services were made to the Product by any party other than IWI US, Inc. or an authorized representative of IWI US, Inc.
  - 3.3. The Product was not damaged as a result of improper operation, misuse (whether intentional or otherwise), abuse, negligence, accident or flood, fire, earthquake or other external causes.

- 3.4. Only appropriate, non-defective new commercial ammunition was fired from the Product.
- 3.5. The defective Product and/or defective parts shall have been returned by the Purchaser to IWI US, Inc. immediately upon request in conformance with IWI US, Inc.'s return procedures.
4. This Warranty does not apply to:
  - 4.1. Maintenance, repair or replacement of parts due to normal wear and tear.
  - 4.2. Any cosmetic damage that does not impede form, fit, and function of the Product.
  - 4.3. Products that show evidence of tampering.
  - 4.4. IWI US, Inc. does not warrant that the operation of the product will be uninterrupted, or error-free, or free of stoppages or malfunctions.
5. In the event a Product returned to IWI US, Inc. is not defective in design, materials or workmanship or not returned within the Warranty Period, a test and evaluation charge, as determined by IWI US, Inc. will apply.
6. IWI US, Inc. will be the sole determining evaluator and authority for adjudicating Warranty claims hereunder.

7. THE REPAIR, REPLACEMENT, OR REFUND AS PROVIDED HEREINABOVE IS THE SOLE AND EXCLUSIVE REMEDY OF THE PURCHASER, AND IS PROVIDED IN LIEU OF ALL OTHER WARRANTIES, EXPRESS OR IMPLIED, INCLUDING, WITHOUT LIMITATION, THE IMPLIED WARRANTIES OF MERCHANTABILITY, FITNESS FOR A PARTICULAR PURPOSE, NON-INFRINGEMENT, COURSE OF DEALING AND USAGE OF TRADE. IN NO EVENT SHALL IWI US, Inc. BE LIABLE TO PURCHASER, PURCHASER'S CUSTOMERS OR ANY THIRD PARTY, WHETHER IN CONTRACT OR TORT (INCLUDING NEGLIGENCE AND STRICT LIABILITY) FOR DAMAGES IN EXCESS OF THE PURCHASE PRICE OF THE PRODUCT, OR FOR ANY INDIRECT, INCIDENTAL, SPECIAL, PUNITIVE, OR CONSEQUENTIAL DAMAGES OR EXPENSES OF ANY KIND, OR PERSONAL INJURIES OR DAMAGE TO PROPERTY OF ANY KIND OR CHARACTER, OR LOSS OF REVENUE OR PROFITS, LOSS OF USE, LOSS OF BUSINESS, LOSS OF INFORMATION OR DATA OR OTHER FINANCIAL LOSS ARISING OUT OF OR IN CONNECTION WITH THE ABILITY OR INABILITY TO USE THE PRODUCT TO THE FULL EXTENT THESE DAMAGES MAY BE DISCLAIMED BY APPLICABLE LAW.
  
8. Some states do not allow the exclusion of consequential or incidental damages, so the above limitations may not apply to you.



## **REPAIR SERVICES**

If you need assistance with your firearm, please call +1717-695-2081, Monday through Friday, 8:00AM to 4:00PM US Eastern time and ask to speak to Customer Service. If it is determined that shipment of your firearm to IWI US, or an authorized IWI US, armorer is warranted, please prepare and ship as follows:

1. Complete a Firearm Return Form found at <https://iwi.us/firearm-return-form/> (OR) Request a Return Authorization number (RA#) from the IWI US, Inc. Customer Service Representative. Please note that IWI US, Inc. will refuse return/repair shipments without a RA#.
2. Record the serial number of your firearm before packing and shipping.
3. Check to make sure your firearm is unloaded.
4. Remove all accessories from the firearm to prevent loss or damage. IWI US, Inc. will not be responsible for any loss or damage to non-IWI US, Inc. firearms or accessories.
5. Pack your firearm in the original box. If the original box is not available, pack your firearm in a box that will protect it from any handling and/or shipping damage. Be sure that there are no markings and/or words on the outside of the box that indicate there is a firearm inside the box. This will help to deter theft of the firearm while in-transit to IWI US, Inc.

6. Enclose a letter with the firearm detailing the model name and serial number of your firearm along with a full description of the problem. Be sure to include your full name and street address city and state, including zip code, daytime telephone number and email address.
7. Ship your firearm by UPS, FedEx. IWI US, Inc. is not responsible for damage or loss during shipment, so you may elect to purchase insurance from the carrier. Ship to the following address:

IWI US, Inc.  
Attn. Service Department  
RA# \_\_\_\_\_  
1441 Stoneridge Drive  
Middletown, PA 17057



**WARNING!**


**DO NOT SEND LIVE AMMUNITION OR SPENT (FIRED) SHELLS/CARTRIDGES IN YOUR FIREARM OR IN THE SAME BOX WITH YOUR FIREARM. THIS IS A VIOLATION OF FEDERAL LAW. IF YOU FEEL YOU MUST SEND SPENT (FIRED) SHELLS/CARTRIDGES, PLEASE SHIP THEM IN A SEPARATE PACKAGE AND INCLUDE A COPY OF THE LETTER THAT YOU PACKED WITH YOUR FIREARM.**



Copyright © 2022 by IWI US, Inc.

This document is the property of IWI US, Inc. IWI US, Inc. reserves the rights to this document and to the data/invention/content herein described. Any unauthorized use of the document may violate copyright, trademark, and other civil and criminal statutes and contractual rights.

In the interest of product improvement, design and performance characteristics may be changed at any time without prior notice.



IWI US, Inc. • 1441 Stoneridge Drive • Middletown, PA 17057  
Tel: +1 (717) 695-2081 Fax: +1 (717) 412-0873 services@iwi.us

[WWW.IWI.US](http://WWW.IWI.US)

