

TAVOR® SAR &

TAVOR® X95™

.300 Blackout (.300 AAC)

Operator Manual Revision

Replaces Section 8.10, Pages 26-27

&

Replaces Section 14.1.2, Pages 58-61

Read the instructions and warnings in this Manual Addendum, in addition to the complete Tavor® SAR and Tavor® X95™ Operator Manual, carefully and understand these instructions before using this firearm.

If there is anything you do not understand, seek advice from your FFL Dealer or someone qualified in the safe handling of firearms, or contact IWI US, Inc. at +1 (717) 695-2081 or email service@iwi.us.



.300 AAC Ammunition Warning

The Sporting Arms and Ammunition Manufacturers' Institute (SAAMI), the association with the responsibility to create and publish standards for chamber, bore, rifling and pressures for ammunition sold in the US, has not established pressure standards for the .300 Blackout (.300AAC) cartridge as of the date of this Manual Revision printing (April, 2017).

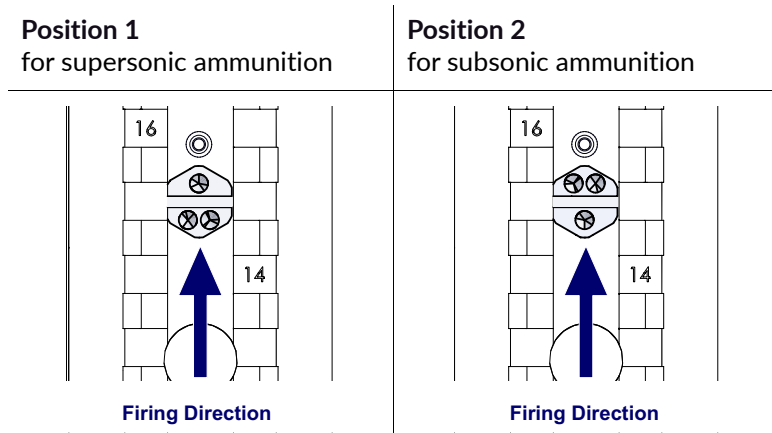
Your Tavor SAR and/or Tavor X95 in .300 Blackout includes an integral gas regulator that ensures reliable function of your rifle whether you are shooting subsonic or supersonic ammunition, or if you are shooting suppressed or unsuppressed.

However, due to the wide variation in available bullet weights and sub/supersonic loads, we have found that your Tavor SAR and/or Tavor X95 will function best with loads heavier than 125 grains. ***Bullet weights less than 125 grains may not always function reliably.***

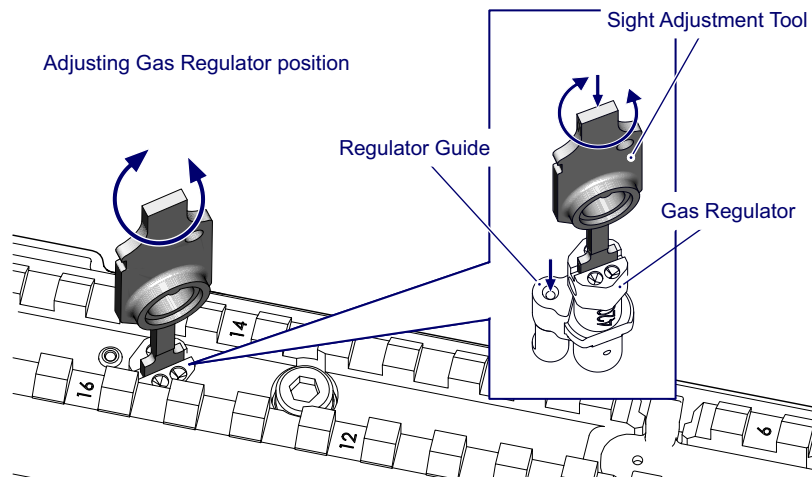
Be sure that your .300 Blackout regulator is set to the correct subsonic or supersonic setting as shown in this Manual Revision. An incorrect setting will not allow the Tavor SAR and/or Tavor X95 to cycle properly.

8.10 300 BLK Gas Regulator Positions*

In 300 BLK models, a gas regulator is integrated into the barrel to control the amount of pressure exerted on the piston by the fired cartridge. The gas regulator has two positions, as viewed from the butt end:



Switching between the positions is done by rotating the gas regulator 180° by means of the *sight adjustment tool*.



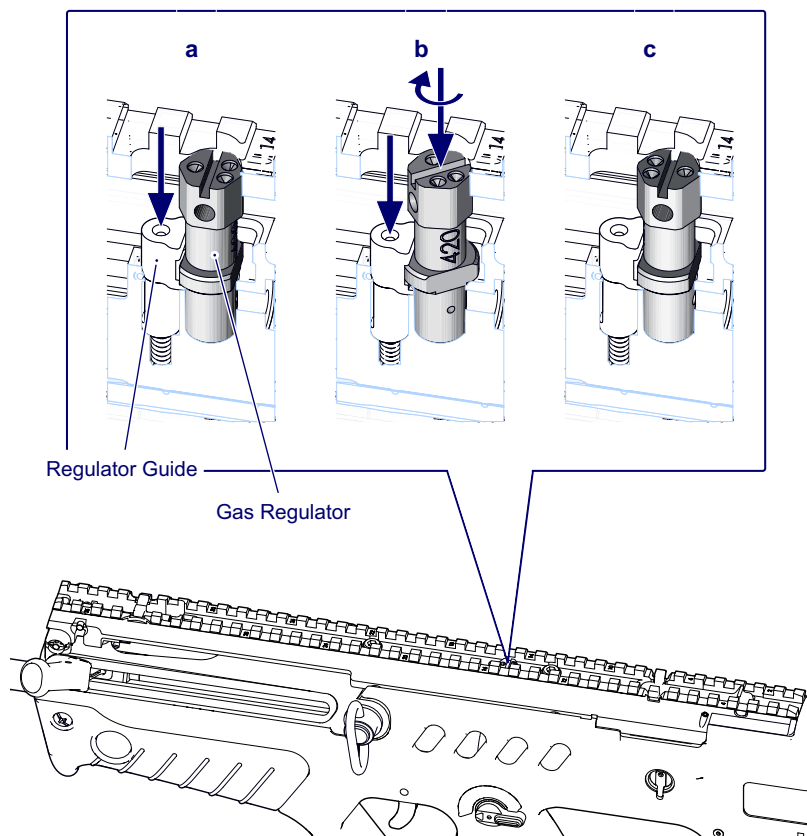
*. Gas regulator is only featured on 300 BLK models.

To change between the positions, proceed as follows:

Using a small pointed object, press and hold the regulator guide (a) and then press down the regulator using the flat tip of the sight adjustment tool,

NOTE Do not let go of the regulator until it completes the entire 180° turn. In its final position, the rim of the regulator is engaged by the step of the regulator guide.

While applying slight pressure on the guide and the regulator, rotate the regulator 180° in any direction (b) and then let go of the both (c). The regulator guide snaps under the rim of the gas regulator with an audible click.



14.1.2 300 BLK Gas Regulator*

Tools & Materials	<ul style="list-style-type: none"> • 3 mm punch • Sight adjustment tool[*]
Initial Setup	Unloading and Safety Check of the rifle performed (see pp. 31-32).

*. *Sight adjustment tool is included with the TAVOR® SAR kit.*

Removal

1. As you press regulator guide ❶ with a 3 mm punch (a), insert the flat tip of the sight adjustment tool into the slot of gas regulator ❷.

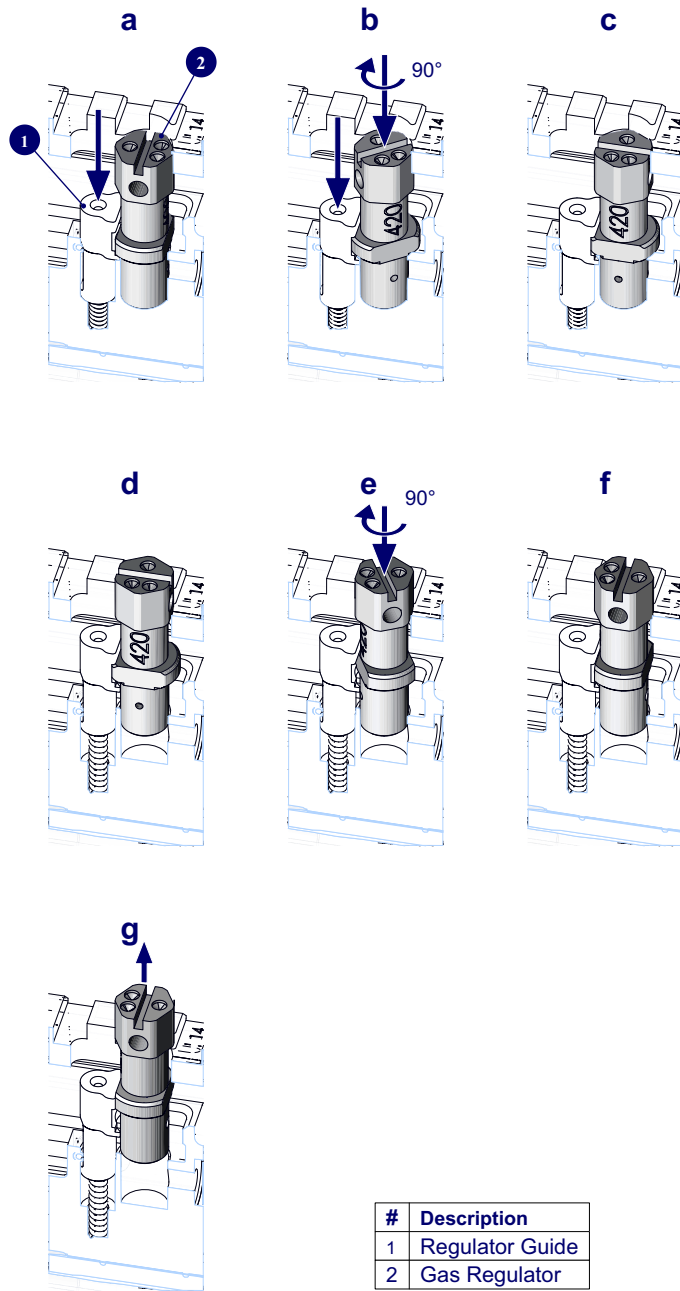
Apply light pressure on the guide and regulator as you rotate the regulator 90° (b). When the regulator slot is parallel to the firing direction (c), release the guide and regulator.

The regulator rim has been released from the lower step of the regulator guide. The guide and regulator are now pushed upwards by the force of the regulator spring (d).

2. While pressing down gently, rotate the regulator 90° (e).

The regulator rim has disengaged from the upper step of the regulator guide (f) and the regulator can be removed (g).

*. *This procedure only applies to 300 BLK models.*



#	Description
1	Regulator Guide
2	Gas Regulator

Installation

1. Place gas regulator ② inside the barrel so that the regulator slot is perpendicular to the firing direction (a) and slightly push downwards (2) using the sight adjustment tool.

The regulator rim is now stopped by the lower step of regulator guide ①.

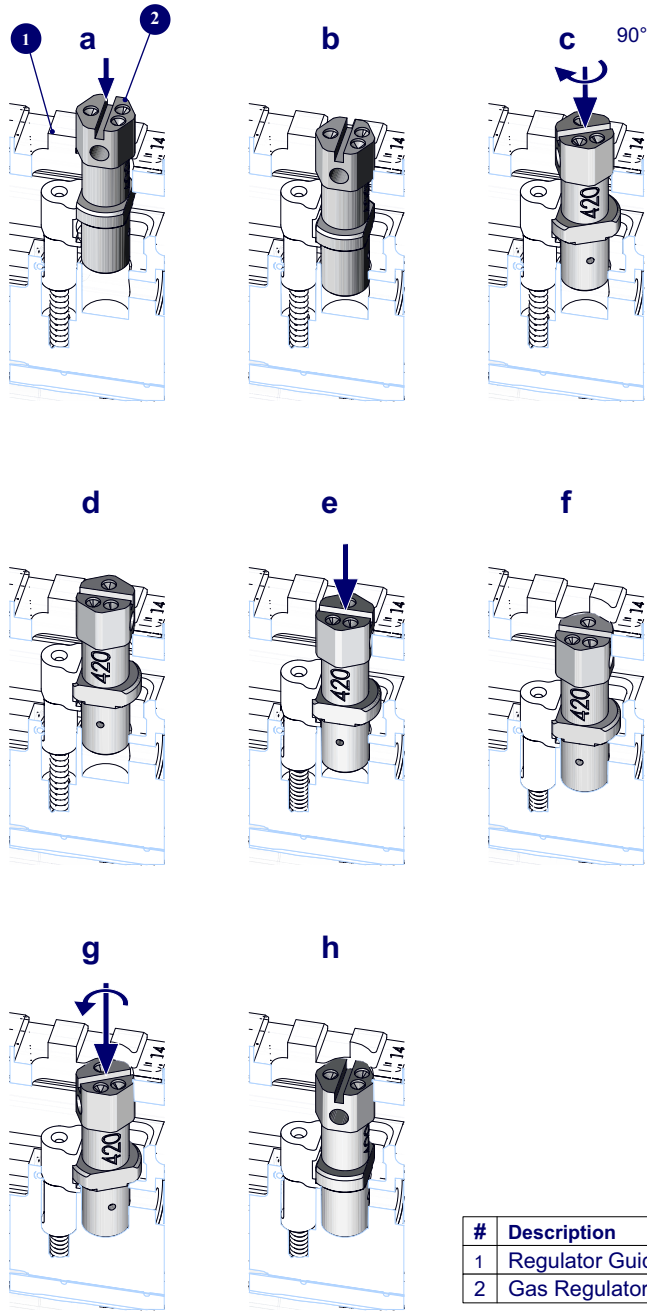
While keeping depressed, rotate the regulator 90° (c) until its slot becomes parallel to the firing direction.

The regulator rim is now caught under the upper step of the regulator guide (d).

2. Push the regulator all the way downwards (e) until it is stopped by the lower step of the regulator guide (f)
3. Rotate the regulator 90° to the desired position (g).

In its *final position*^{*}, the regulator rim is caught on the lower step of the regulator guide (h).

*. *Position 1 is for supersonic ammunition, position 2 is for subsonic ammunition (see para. 8.10).*



#	Description
1	Regulator Guide
2	Gas Regulator